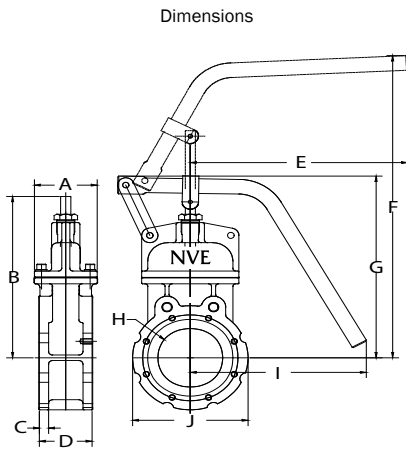


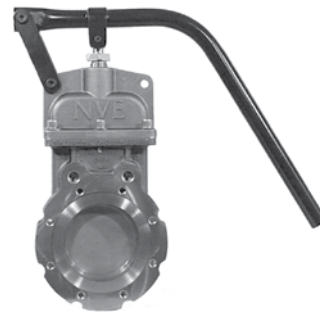
NVE Valves | Manual Actuation - Closing

Features:

- Steel or Stainless Steel Body; Stainless Steel Stem, Seat, Gate and Guide are Standard;
- Viton Seals Standard; Viton O-Ring Seal on Seat; Other O-Ring Materials Available;
- Completely Re-buildable and Self-Cleaning; accepts TTMA and ANSI Flanges
- MAWP 100 PSI; Burst Pressure greater than 400 PSI
- Dual Gate version available for applications requiring horizontal mounting or with high contents of solids



4" Piston Gate Valve, Stainless Steel



NVE Piston Gate Valves | Dimensions

DESCRIPTION	A	B	C	D	E	F	G	H	I	J
4" PISTON GATE	3.87	11.04	.562	3.25	13.41	20.67	12.43	4.00	10.86	7.125
6" PISTON GATE	5.25	14.60	.75	4.00	13.57	29.61	17.84	6.00	10.69	9.00

NVE Piston Gate Valves | Parts List

PART NUMBER	DESCRIPTION	WEIGHT	PRICE
180-4C	4" PISTON GATE VALVE - CARBON STEEL	31.2	\$763.88
180-4S	4" PISTON GATE VALVE - STAINLESS STEEL	30.9	\$1,029.92
180-6C	6" PISTON GATE VALVE - CARBON STEEL	61	\$1,358.77
180-6S	6" PISTON GATE VALVE - STAINLESS STEEL	62	\$1,740.83

NVE Piston Gate Valves | Repair Kits

PART NUMBER	DESCRIPTION	WEIGHT	PRICE
190-000-4	REBUILD KIT - 4" PISTON GATE VALVE	6	\$251.48
190-000-6	REBUILD KIT - 6" PISTON GATE VALVE	14	\$458.42

NVE Single Gate Valves

When ordering replacement parts please specify whether the valve is 4" or 6" and if it is Carbon or Stainless.

Part Number Scheme

= 4 or 6

= 4 (4 inch port)

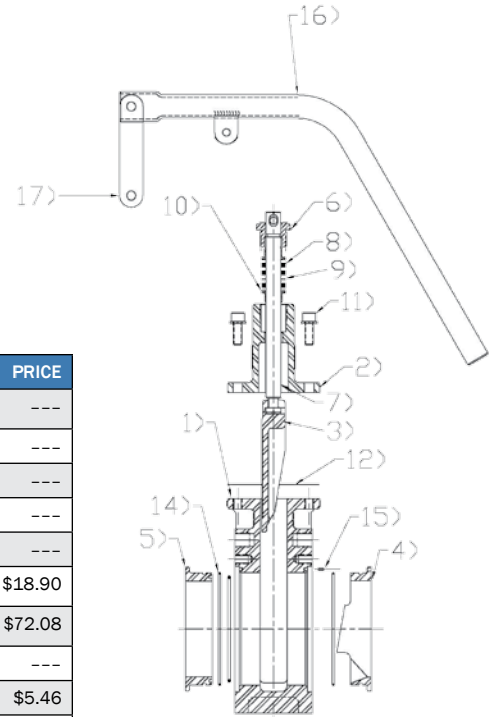
= 6 (6 inch port)

* = C or S

= C (Carbon Steel)

= S (Stainless Steel)

4" and 6" NVE Single Gate Valve Parts Diagram



NVE Single Gate Valves | Replacement Parts

ITEM	PART NUMBER	DESCRIPTION	WEIGHT	PRICE
1	190-002-#*	VALVE BODY	---	---
2	190-004-#*	VALVE BONNET	---	---
3	190-006-#	VALVE GATE	---	---
4	190-010-#	VALVE GUIDE	---	---
5	190-012-#	VALVE SEAT	---	---
6	190-014-4	VALVE PACKING BRASS	0.10	\$18.90
	190-014-4S	VALVE PACKING SS	0.20	\$72.08
7	190-016-#	VALVE STEM	---	---
8	190-018-4S	VALVE PACKING TEFLON	0.01	\$5.46
9	190-020-4	VALVE WASHER VITON	0.01	\$2.09
10	190-022-4	VALVE BUSHING BRONZE	0.05	\$4.73
	190-022-4S	VALVE BUSHING TEFLON	0.01	\$10.76
11	190-028-#	VALVE BOLT W/ LW	---	---
12	190-038-#	VALVE BONNET GASKET	---	---
13	190-040-#	VALVE SEAT O-RING	---	---
	190-040-#T	VALVE SEAT O-RING TEFLON	---	---
14	190-042-#	VALVE GUIDE O-RING	---	---
	190-042-#T	VALVE GUIDE O-RING TEFLON	---	---
15	190-044-4	VALVE ROLL PIN	---	\$0.14
16	CALL NVE	VALVE HANDLE ASSM. (HANDLE & BARS)	---	---
17	CALL NVE	VALVE HANDLE FASTENER SET	---	---