



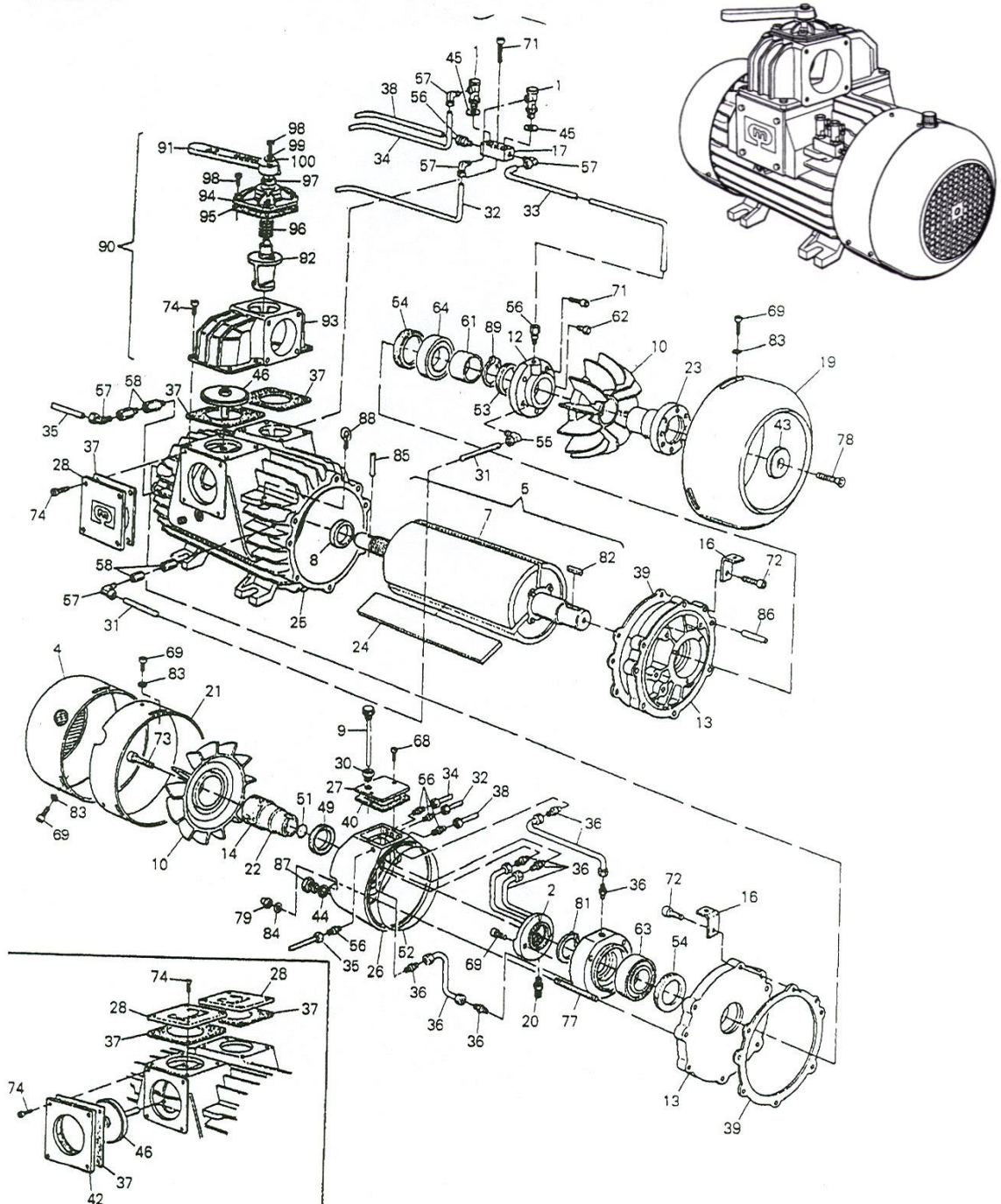
AC5 - FIG 1

MORO USA, INC.

ST. LOUIS, MO OFFICE
 Po Box 424
 Union, MO 63084
 (866) 383-6304
 Fax: (636) 583-2044

PITTSBURGH, PA OFFICE
 SALES OFFICE
 (800) 383-6304
 (412) 787-8400
 Fax: (412) 787-8444

Email: sales@morousa.com
www.morousa.com



AC5 Spare Parts

Pos.	Quantity	Part No.	Description
1	1	4812-0209-1	Oil Valve
2	1	4812-0216-0	Oil Pump
4	1	5400-0091-0	Cover
5	1	5534-0092-0	Rotor
9	1	6015-0006-0	Rod
10	2	6045-0000-0	Fan
11	1	6104-0144-0	Flange
12	1	6103-0019-1	Flange
13	2	6104-0141-1	Flange
14	1	6105-0007-0	Bushing
15	1	6104-0144-0	Flange
16	6	6130-1009-0	Support
19	1	6400-0048-0	Cover
21	1	6450-0050-0	Case
22	1	6550-0021-0	Hub
23	1	6560-0058-0	Hub
24	3	6575-0073-1	Vane
25	1	6624-0056-0	Housing
26	1	6633-0065-1	Oil Tank
27	1	6633-0069-0	Cover
28	2	6634-0009-0	Plate
30	1	6730-0201-0	Fitting Rod
31	1	6760-1277-0	Tube
31	1	6760-1273-0	Tube
32	1	6760-1223-0	Tube
33	1	6760-1224-0	Tube
34	2	6760-1225-0	Tube
35	1	6760-1271-0	Tube
35	1	6760-1272-0	Tube
36	1	8227-0022-0	Tube
37	5	6805-0325-0	Gasket
38	1	6760-1226-0	Tube
39	2	6806-0052-0	Gasket
40	1	6806-0053-0	Gasket
42	1	6810-0138-0	Stop Plate
43	1	6830-0137-0	Gasket
46	1	4443-0019-0	Valve
49	1	92-1002-004	Oil Seal
50	1	92-1003-058	O-Ring
51	1	92-1003-103	O-Ring
52	1	92-1003-153	O-Ring

Pos.	Quantity	Part No.	Description
53	1	92-1027-054	Oil Seal
54	2	92-1027-057	Oil Seal
55	1	92-4032-101	Fitting
56	5	92-4063-050	Fitting
57	5	92-4061-050	Fitting
58	4	92-4042-200	Extension
61	1	93-0005-021	Ring
62	1	92-5070-000	Plug
63	1	93-1005-005	Ball Bearing
64	1	93-1012-004	Ball Bearing
65	4	96-1024-000	Screw
68	2	96-1073-003	Screw
69	16	96-1075-001	Screw
70	3	96-1075-003	Screw
71	4	96-1075-004	Screw
72	12	96-1077-005	Screw
73	1	96-1077-008	Screw
74	14	96-1078-111	Screw
76	2	96-1090-000	Set Screw
77	2	96-1104-011	Screw
78	1	96-1125-002	Screw
79	2	96-2025-003	Nut
81	1	96-3001-032	Ring "Seeger"
82	1	96-3002-065	Key
83	10	96-4007-001	Washer
84	2	96-4015-005	Washer
85	1	96-4018-019	Elastic Pin
86	4	96-4021-000	Pin
87	1	96-5023-000	Plug
88	2	96-5041-003	Eye Nut
89	1	96-3003-037	Ring "Seeger"
90	1	8611-0036-0	Manifold
91	1	6024-0004-0	Handle
92	1	6264-0028-0	Change-Over Device
93	1	6264-0068-0	Manifold
94	1	6633-0033-0	Flange
95	1	6806-0016-0	Cover
96	1	6900-0034-2	Spring
97	1	92-1000-074	Gasket
98	5	96-1075-003	Screw
99	1	96-4001-002	Spring Washer
100	1	96-4005-005	Washer