

## 20" Primary Shutoff | Aluminium Lid

### FEATURES:

- Available with Cam Over Latches
- 8" Corrosion Resistant SS Ball Cage
- 35 P.S.I. rated, built to DOT specs
- 2", 3" HB or 4" NPT Connection
- 5/8" Square Buna Gasket



Available with lube nuts  
See Accessories  
Section E - Fasteners

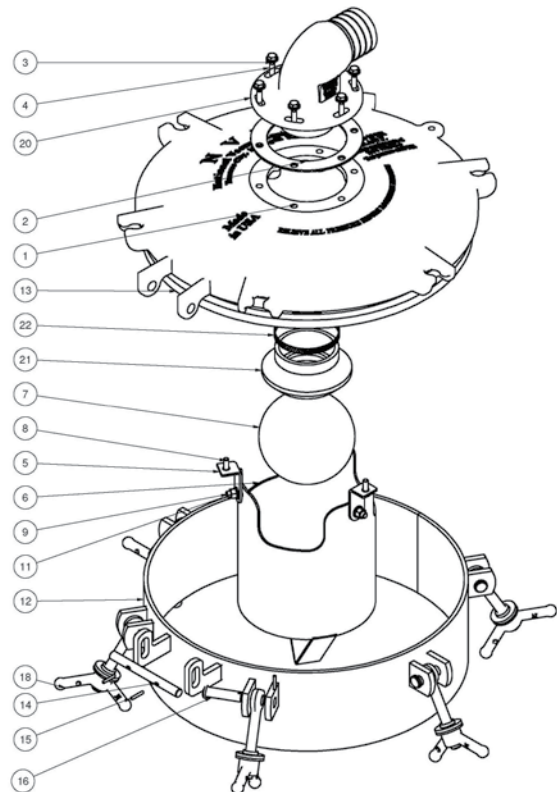
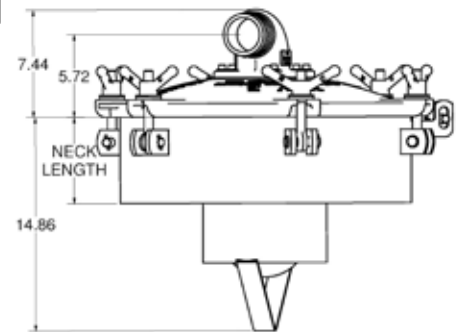


### 20" Primary Shutoff | Parts List

PART NUMBER	LID	NECK	WEIGHT	PRICE
206-2006-2HB-CA	20" CAST ALUMINUM, 2" HB	ALUMINUM 6"	51 LBS	
206-2006-3HB-CA	20" CAST ALUMINUM, 3" HB	ALUMINUM 6"	52 LBS	
206-2006-4NP-CA	20" CAST ALUMINUM, 4" NPT	ALUMINUM 6"	53 LBS	

### 20" Primary Shutoff | Replacement Parts

ITEM	PART NUMBER	DESCRIPTION
1	226-200-ALU-CWP	LID, 20", CAST ALUMINUM W/ SO
2	286-226-HBG	GASKET, BOLT-ON S.O. CONNECTION
3	SEE DESCRIPTION	5/16 FLAT WASHER
4	SEE DESCRIPTION	HHCS 5/16 UNC X 1 1/4" LG.
5	280-711-8BT	BOLT TAB
6	282-800-1S	BALL CAGE, 304 SS
7	414-600-SS	6" STAINLESS STEEL FLOAT BALL
8	SEE DESCRIPTION	HHCS 3/8 UNC X 7/8" LG.
9	SEE DESCRIPTION	HHCS 3/8 UNC X 1" LG SS
10	SEE DESCRIPTION	LOCK WASHER 3/8, SS
11	SEE DESCRIPTION	HEX NUT 3/8, SS
12	228-2006-1A	ALUMINUM NECK, 20" X 6"
	228-2009-1A	ALUMINUM NECK, 20" X 9"
	228-2012-1A	ALUMINUM NECK, 20" X 12"
13	286-706-20L	GASKET, 20" LID BUNA
14	280-703-C	HINGE PIN
15	280-704-S	COTTER PIN, 1/8X.1.5" SS
16	284-400-1C	CLEVIS PIN
17	284-351-1C	EYEBOLT, 5/8" UNC X 5" LG
18	284-102-CP	WINGNUT, CARBON, PLATED
19	280-875-AFW	FLAT WASHER, 7/8"
20	226-ALU-2HB	2" HOSE BARB, S.O. FLANGE
	226-ALU-3HB	3" HOSE BARB, S.O. FLANGE
	280-711-F4	4" NPT, S.O. FLANGE
21	416-300-B	BALL SEAT, 3" BUNA
	416-400-B	BALL SEAT, 4" BUNA
22	416-300-1WC	WORM CLAMP, 3"
	416-400-1WC	WORM CLAMP, 4"



Genuine National Vacuum Equipment Products Proudly Distributed By Armstrong Equipment Inc.

800-699-7557