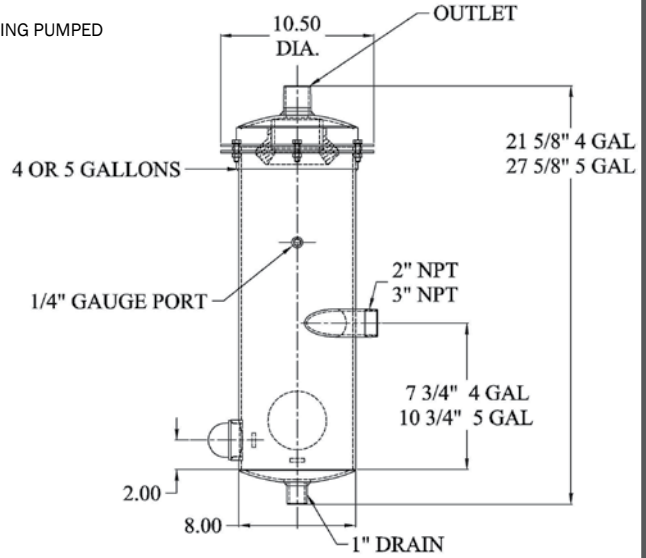


Secondary Shutoffs | 4 & 5 Gallon Moisture Traps

WARNING CFM RATINGS VARY WITH THE VOLATILITY OF THE PRODUCT BEING PUMPED
 ** 5 GALLON - TO 300 CFM
 ** 4 GALLON - TO 200 CFM

FEATURES:

- 4" Stainless Steel Float Ball
- 2" or 3" Buna Ball Seat
- 3/8" Buna O-Ring
- 2" Sight Eye



Secondary Shutoff - 4 & 5 Gallon Moisture Traps | Parts List

PART NUMBER	DESCRIPTION	WEIGHT	PRICE
216-500-2NPT-C	5 GALLON, 2" NPT CARBON	42.65 LBS	
216-500-3NPT-C	5 GALLON, 3" NPT CARBON	45 LBS	

Secondary Shutoff - 4 & 5 Gallon Moisture Traps | Replacement Parts

ITEM	PART NUMBER	DESCRIPTION
1	CALL NVE	MT BODY, 4 GAL, 2" NPT
	CALL NVE	MT BODY, 4 GAL, 3" NPT
	CALL NVE	MT BODY, 5 GAL, 2" NPT
	CALL NVE	MT BODY, 5 GAL, 3" NPT
2	CALL NVE	MT LID, 8", 2" NPT
	CALL NVE	MT LID, 8", 3" NPT
3	416-200-B	BALL SEATS, 2" BUNA
	416-300-B	BALL SEATS, 3" BUNA
4	416-200-1WC	CLAMP WORM, 2" BALL SEATS
	416-300-1WC	CLAMP WORM, 3" BALL SEATS
5	414-400-SS	FLOAT BALL, 4" STAINLESS
6	286-375-RND-PF	3/8" BUNA O-RING FOR 8" LID
7	400-002-2	SIGHT EYE GLASS AND O-RING, 2"
8	400-003-2	SIGHT EYE O-RING, 2"
	288-100	1" BALL VALVE DRAIN

