

## Secondary Shutoffs | 4 Gallon Low Profile Moisture Traps

\*\*\*WARNING\*\*\* CFM RATINGS VARY WITH THE VOLATILITY OF THE PRODUCT BEING PUMPED  
 \*\* 4 GALLON - TO 200 CFM

### FEATURES:

- Corrosion Resistant Aluminum or Stainless Steel Base
- 4" Stainless Steel Float Ball
- 3" Buna Ball Seat
- 5/8" Square Buna Gasket
- Aluminum Lid [CAST IN THE USA]



Available with lube nuts  
 See Accessories  
 Section E - Fasteners

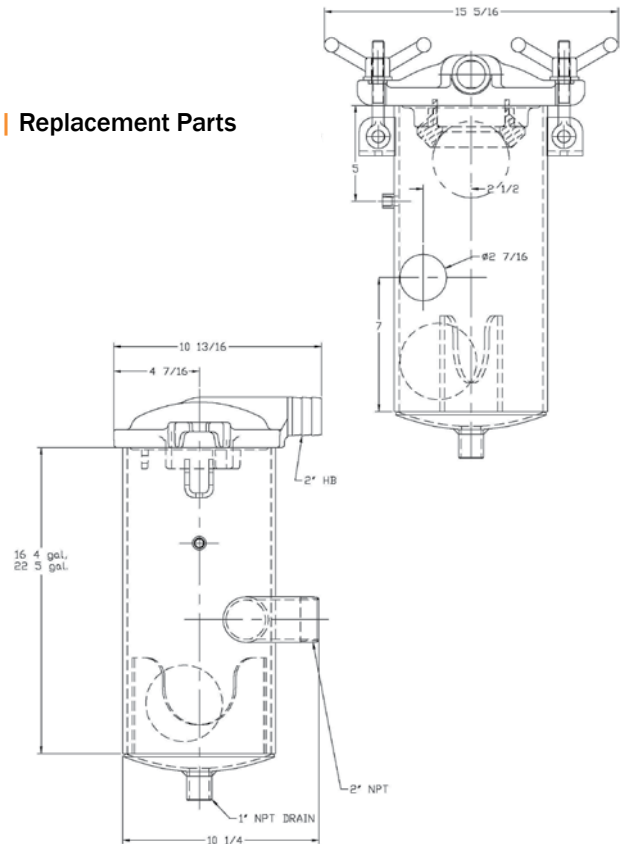


### Secondary Shutoff - 4 Gallon Low Profile Moisture Traps | Parts List

PART NUMBER	LID	BODY	WEIGHT	PRICE
216-400-2NPT-A	8" LO-PRO CAST ALUMINUM, 2" HB	4 GAL, ALUMINUM	23 LBS	
216-400-2NPT-S	8" LO-PRO CAST ALUMINUM, 2" HB	4 GAL, STAINLESS STEEL	30 LBS	

### Secondary Shutoff - 4 Gallon Low Profile Moisture Traps | Replacement Parts

PART NUMBER	DESCRIPTION
226-800-ALU	2" HOSE BARB CAST 356 ALU LID
280-216-402-A	BODY, 4 GAL, 2" NPT, ALU MT
280-216-402-S	BODY, 4 GAL, 2" NPT, SS MT
416-300-B	3" BUNA BALL SEAT
416-300-1WC	CLAMP FOR 3" BALL SEAT
414-400-SS	4" STAINLESS STEEL FLOAT BALL
286-706-8L	GASKET, 8" LID
284-102-CP	CAST CARBON WINGNUT PLATED
284-400-1C	CARBON CLEVIS PIN, NON-CODE
280-704-S	COTTER PIN, 1/8 X 1.5" SS
288-100	1" BALL VALVE DRAIN
280-875-AFW	7/8" ALUMINUM FLAT WASHER



Non-Code | Secondary Shutoffs