

12" Oil Catch Mufflers | Vertical Orientation Weld-In Carbon Steel with Filter

** 12" Diameter - TO 500 CFM

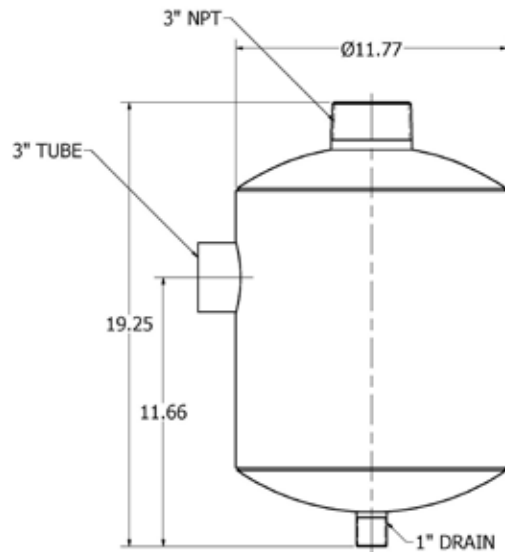
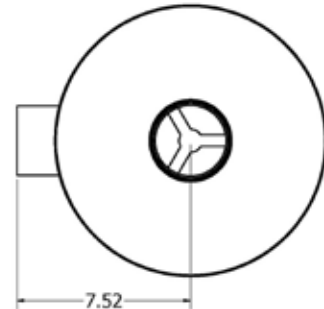
FEATURES:

- Welded Closure
- Pleated Stainless Steel Filter

12" Dia, 3" NPT, Carbon Body

Shipped unpainted

1" Drain Valve sold separately



12" Oil Catch Mufflers Vertical Orientation Weld-In Carbon Steel w/Filter | Parts List

PART NUMBER	DESCRIPTION	WEIGHT	PRICE
212-120-3NPT-2	12" OIL CATCH MUFFLER W/ FILTER, 3" NPT WELDED	59.75 LBS	

12" Oil Catch Mufflers Vertical Orientation Weld-In Carbon Steel w/Filter | Replacement Parts

PART NUMBER	DESCRIPTION
288-100	1" BALL VALVE DRAIN

Genuine National Vacuum Equipment Products Proudly Distributed By *Armstrong Equipment Inc.*

800-699-7557