

Secondary Shutoffs | 25 Gallon Moisture Trap

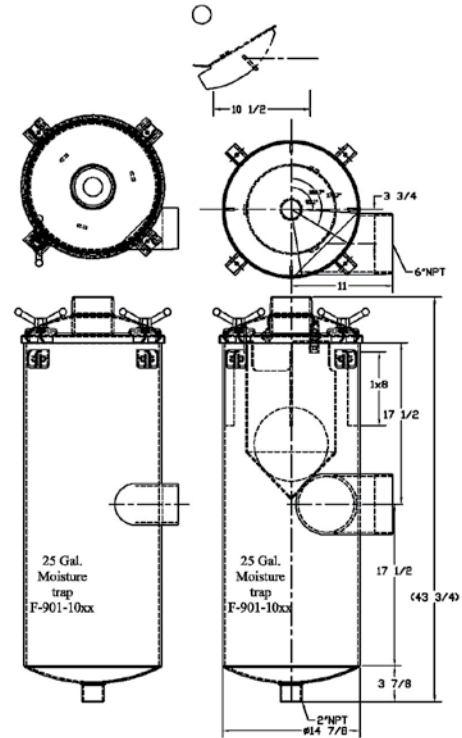
WARNING CFM RATINGS VARY WITH THE VOLATILITY OF THE PRODUCT BEING PUMPED
 ** 25 GALLON - TO 1000 CFM

FEATURES:

- Stainless Steel Deflector Plate
- 8" and 10" Corrosion Resistant Stainless Steel Ball Cage
- 6" or 8" Stainless Steel Float Ball
- 4" or 6" Buna Ball Seat
- Wingnut Closure
- 5/8" Square Buna Gasket
- 2" Ball Valve Drain



Available with lube nuts
 See Accessories
 Section E - Fasteners



Secondary Shutoff - 25 Gallon Moisture Trap | Parts List

PART NUMBER	LID	BODY	WEIGHT	PRICE
216-250-4NPT-A	14" CARBON STEEL LID, 4" NPT	25 GAL, ALUMINUM, 4" NPT	93 LBS	
216-250-4NPT-C	14" CARBON STEEL LID, 4" NPT	25 GAL, CARBON STEEL, 4" NPT	172 LBS	
216-250-6NPT-C	14" CARBON STEEL LID, 6" NPT	25 GAL, CARBON STEEL, 6" NPT	186 LBS	

Secondary Shutoff - 25 Gallon Moisture Trap | Replacement Parts

PART NUMBER	DESCRIPTION
CALL NVE	14" LID, 4" NPT CARBON STEEL
CALL NVE	14" LID, 6" NPT CARBON STEEL
CALL NVE	BODY, 25 GAL, 4" NPT, ALUMINUM MT
CALL NVE	BODY, 25 GAL, 4" NPT, CARBON STEEL MT
CALL NVE	BODY, 25 GAL, 6" NPT, CARBON STEEL MT
286-706-14L	GASKET, 14" LID, BUNA
288-200	2" BALL VALVE DRAIN
414-600-SS	6" STAINLESS STEEL FLOAT BALL
414-800-SS	8" STAINLESS STEEL FLOAT BALL
282-800-1S	8" 304 STAINLESS STEEL BALL CAGE

PART NUMBER	DESCRIPTION
282-100-1S	10" 304 STAINLESS STEEL BALL CAGE
416-400-B	4" BUNA BALL SEAT
416-600-B	6" BUNA BALL SEAT
416-400-1WC	CLAMP FOR 4" BALL SEAT
416-600-1WC	CLAMP FOR 6" BALL SEAT
284-102-CP	CAST CARBON WINGNUT, PLATED
284-400-1C	CARBON CLEVIS PIN, NON-CODE
280-704-S	COTTER PIN, 1/8X.1.5" SS
284-351-1C	EYEBOLT, NON-CODE, 5/8 UNC X 5" LG

Genuine National Vacuum Equipment Products Proudly Distributed By *Armstrong Equipment Inc.*

800-699-7557