

Secondary Shutoffs | 45 Gallon Moisture Trap

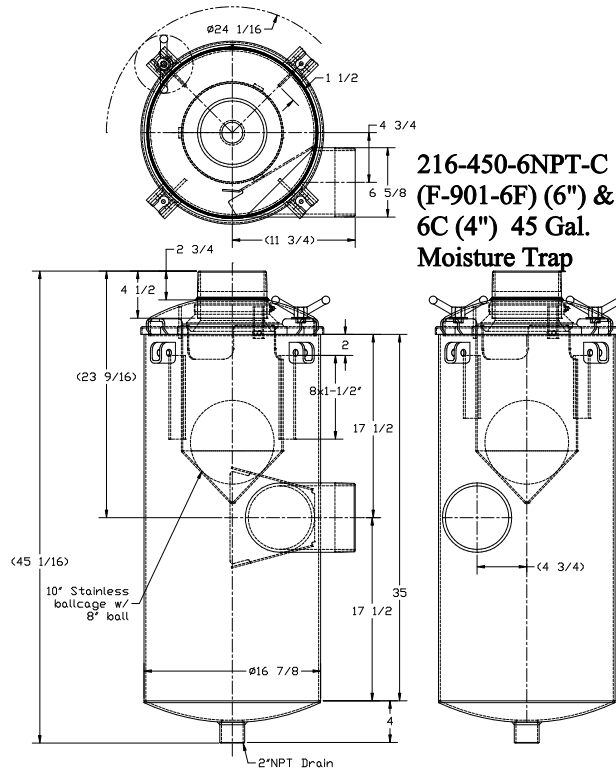
WARNING CFM RATINGS VARY WITH THE VOLATILITY OF THE PRODUCT BEING PUMPED
 ** 45 GALLON - TO 1500 CFM

FEATURES:

- Stainless Steel Deflector Plate
- 10" Corrosion Resistant Stainless Steel Ball Cage
- 8" Stainless Steel Float Ball
- 6" Buna Ball Seat
- Wingnut Closure
- 5/8" Square Buna Gasket
- 2" Ball Valve Drain



Available with lube nuts
 See Accessories
 Section E - Fasteners



**216-450-6NPT-C
 (F-901-6F) (6") &
 6C (4") 45 Gal.
 Moisture Trap**

Secondary Shutoff - 45 Gallon Moisture Trap | Parts List

PART NUMBER	DESCRIPTION	WEIGHT	PRICE
216-450-6NPT-C	45 GALLON, 6" NPT, CARBON	199 LBS	
216-450-6NPT-S	45 GALLON, 6" NPT, STAINLESS STEEL	---	

Secondary Shutoff - 45 Gallon Moisture Trap | Replacement Parts

PART NUMBER	DESCRIPTION
CALL NVE	BODY, 45 GAL, 6" NPT, CARBON
CALL NVE	20" LID, CARBON STEEL, 6" NPT
284-KIT-C	WINGNUT ASSEMBLY
282-100-1S	10" 304 STAINLESS STEEL BALL CAGE
416-600-B	6" BUNA BALL SEAT
416-600-1WC	CLAMP FOR 6" BALL SEAT
414-800-SS	8" STAINLESS STEEL FLOAT BALL
288-200	2" BALL VALVE DRAIN
286-706-20L	GASKET, 20" LID BUNA

Genuine National Vacuum Equipment Products Proudly Distributed By *Armstrong Equipment Inc.*

800-699-7557