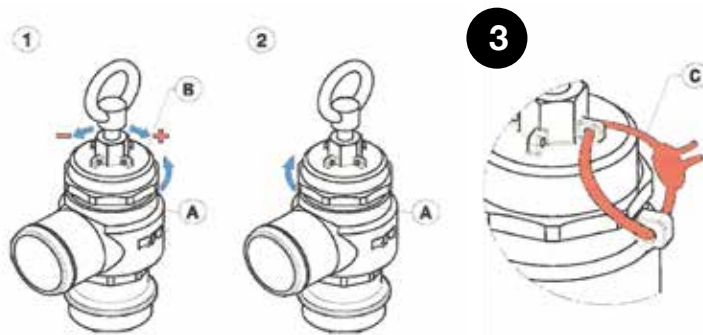


Pressure Relief Valve Setting Instructions



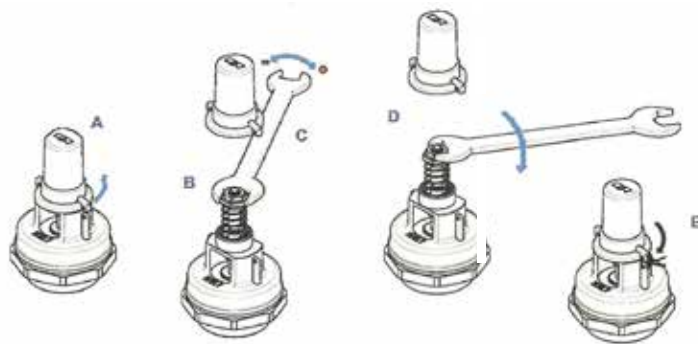
Picture 1.

1. Unscrew the lock nut "A"
2. Turn the spring-tightener "B"

Picture 2. Once obtained the desired pressure, screw down the lock nut "A"

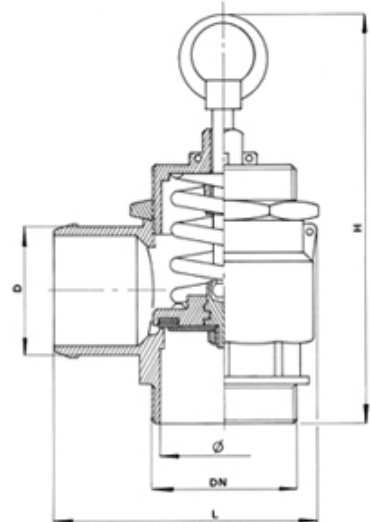
Picture 3. Fix the setting, using the rings "C" Situated on the body and on the spring tightener

Vacuum Relief Valve Setting Instructions



1. Remove the protection cap "A"
2. Turn the spring-tighter "B", through a spanner "C", Clockwise to increase the pressure, Anti-clockwise to reduce the pressure
3. Once obtained the desired pressure, screw down the lock nut "D"
4. Screw down the protection cap and fix it using the rings "E" situated on the valve body and on the cap

Pressure Relief Valves



Pressure Relief Valve (7 to 21 psi)

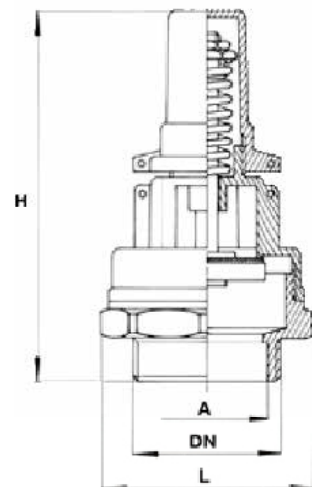
Pressure Relief Valves | Dimensions

PART NUMBER	DN	A	L	D	H
364-306-1.25	1.25	1.25	3.66	1.57	6.57
364-306-015	1.50	1.53	3.93	1.77	6.93
364-306-2	2.00	2.00	4.38	1.97	6.30

Pressure Relief Valves | Dimensions

PART NUMBER	DESCRIPTION	WEIGHT	PRICE
364-306-1.25	1 1/4" PRESSURE RELIEF VALVE - GAS THREAD (NPT)	1.45	
364-306-015	1 1/2" PRESSURE RELIEF VALVE - GAS THREAD (NPT)	1.85	
364-306-2	2" PRESSURE RELIEF VALVE - GAS THREAD (NPT)	2.7	

Vacuum Relief Valve



Vacuum Relief Valves | Dimensions

PART NUMBER	DN	A	L	H
366-150	1.5	1.57	4.72	2.72

Vacuum Relief Valves | Parts List

PART NUMBER	DESCRIPTION	WEIGHT	PRICE
366-150	1 1/2" VACUUM RELIEF VALVE - GAS THREAD (NPT)	1.10	

Genuine National Vacuum Equipment Products Proudly Distributed By *Armstrong Equipment Inc.*

800-699-7557