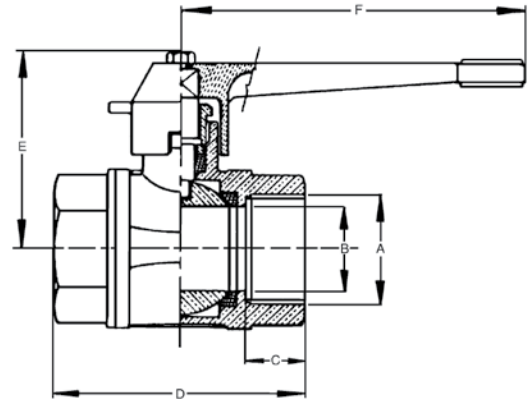


Ball Valves

Features:
Standard female pipe threaded ports both ends, Full port; chrome-plate bronze/ Teflon® seats



Ball Valves | Dimensions

PART NUMBER	A	B	C	D	E	F
360-310-2	2	2	.825	4.4	3.8	5.5
360-310-3	3	3	1.1	6.3	5	9.5
360-310-4	4	4	1.2	7.3	6	12

Ball Valves | Parts List

PART NUMBER	DESCRIPTION	WEIGHT	PRICE
360-310-2	2" BALL VALVE - FNPT THREAD	4	
360-310-3	3" BALL VALVE - FNPT THREAD	8.3	
360-310-4	4" BALL VALVE - FNPT THREAD	18.25	

Genuine National Vacuum Equipment Products Proudly Distributed By *Armstrong Equipment Inc.*

800-699-7557