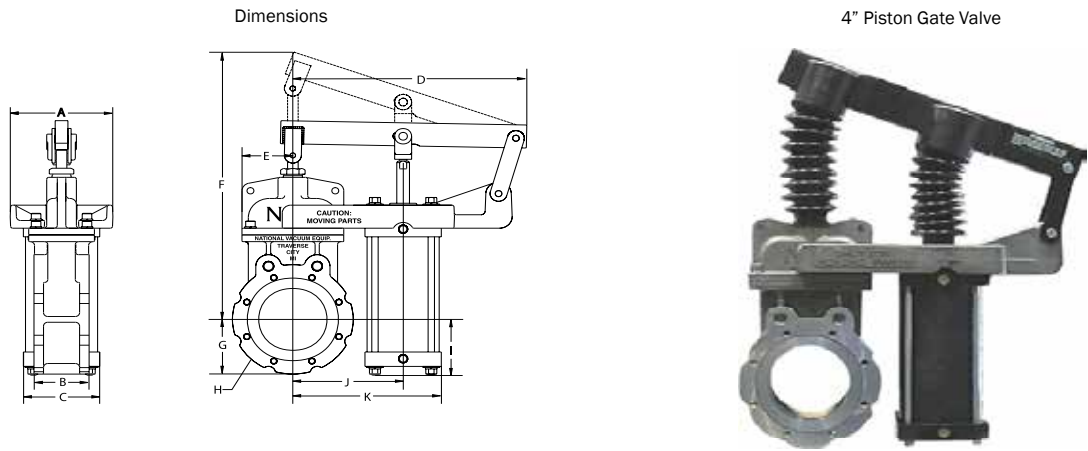


NVE Valves with Actuators | Pneumatic Spring Closed

- Valve Features:
- Steel or Stainless Steel Body; Stainless Steel Stem, Seat, Gate and Guide are Standard;
 - Viton Seals Standard; Viton O-Ring Seal on Seat; Other O-Ring Materials Available;
 - Completely Rebuildable and Self-Cleaning; accepts TTMA and ANSI Flanges.
 - MAWP 100 PSI; Burst Pressure greater than 400 PSI. Dual Gate version available for applications requiring horizontal mounting or with high contents of solids.

- Actuator:
- Actuator Assembly features Stainless Steel Bracket and Fasteners; Powder Coat Painted Parts;
 - Self-Lubricating Cylinder; Replaceable Seals; and a Million-Cycle Spring.
 - Maximum Cylinder Operating Pressure 150 PSI.



NVE Piston Gate Valve with Spring Closed Pneumatic Cylinder | Dimensions

DESCRIPTION	A	B	C	D	E	F	G	H	I	J	K
4" PNEUMATIC - SPRING CLOSE	6.05	3.25	4.50	13.79	3.00	17.40	3.56	7.13	3.63	6.50	8.75
6" PNEUMATIC - SPRING CLOSE	6.30	4.00	4.50	15.67	4.50	23.33	4.50	9.00	3.69	7.75	10.00

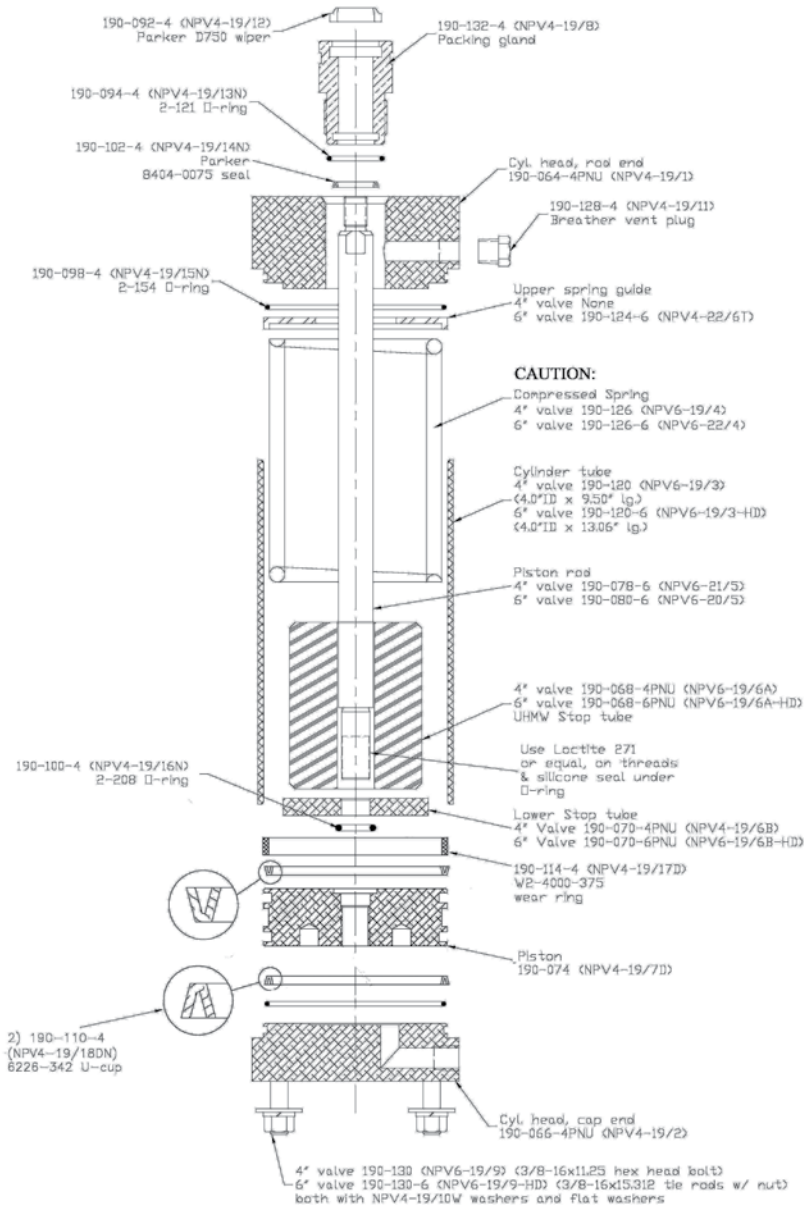
NVE Piston Gate Valve with Spring Close Pneumatic Cylinder | Parts List

PART NUMBER	DESCRIPTION	WEIGHT	PRICE
180-4C1	4" NVE VALVE - CARBON STEEL - PNEUMATIC / SPRING CLOSE	65	
180-4S1	4" NVE VALVE - STAINLESS STEEL - PNEUMATIC / SPRING CLOSE	65	
180-6C1	6" NVE VALVE - CARBON STEEL - PNEUMATIC / SPRING CLOSE	107	
180-6S1	6" NVE VALVE - STAINLESS STEEL - PNEUMATIC / SPRING CLOSE	106	

Genuine National Vacuum Equipment Products Proudly Distributed By *Armstrong Equipment Inc.*

800-699-7557

NVE Valves with Actuators | Pneumatic Spring Closed



NVE Valves with Actuators Pneumatic Spring Closed | Parts List

PART NUMBER	DESCRIPTION	WEIGHT	PRICE
190-116-4PNU	CYLINDER ASSEMBLY - 4" NPV, PNEUMATIC/SPRING CLOSED	14.85	
190-116-6PNU	CYLINDER ASSEMBLY - 6" NPV, PNEUMATIC/SPRING CLOSED	20.70	

Genuine National Vacuum Equipment Products Proudly Distributed By *Armstrong Equipment Inc.*

800-699-7557