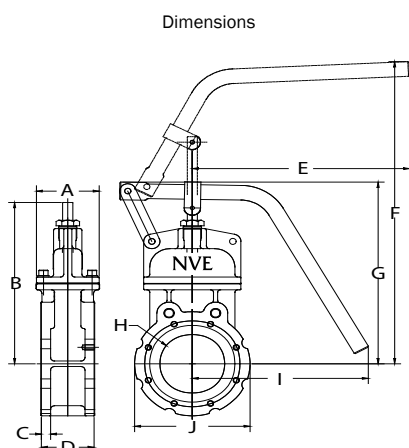


NVE Valves | Manual Actuation - Closing

Features:

- Steel or Stainless Steel Body; Stainless Steel Stem, Seat, Gate and Guide are Standard;
- Viton Seals Standard; Viton O-Ring Seal on Seat; Other O-Ring Materials Available;
- Completely Re-buildable and Self-Cleaning; accepts TTMA and ANSI Flanges
- MAWP 100 PSI; Burst Pressure greater than 400 PSI
- Dual Gate version available for applications requiring horizontal mounting or with high contents of solids



4" Piston Gate Valve, Stainless Steel



NVE Piston Gate Valves | Dimensions

DESCRIPTION	A	B	C	D	E	F	G	H	I	J
4" PISTON GATE	3.87	11.04	.562	3.25	13.41	20.67	12.43	4.00	10.86	7.125
6" PISTON GATE	5.25	14.60	.75	4.00	13.57	29.61	17.84	6.00	10.69	9.00

NVE Piston Gate Valves | Parts List

PART NUMBER	DESCRIPTION	WEIGHT	PRICE
180-4C	4" PISTON GATE VALVE - CARBON STEEL	31.2	
180-4S	4" PISTON GATE VALVE - STAINLESS STEEL	30.9	
180-6C	6" PISTON GATE VALVE - CARBON STEEL	61	
180-6S	6" PISTON GATE VALVE - STAINLESS STEEL	62	

NVE Piston Gate Valves | Repair Kits

PART NUMBER	DESCRIPTION	WEIGHT	PRICE
190-000-4	REBUILD KIT - 4" PISTON GATE VALVE	6	
190-000-6	REBUILD KIT - 6" PISTON GATE VALVE	14	

NVE Single Gate Valves

When ordering replacement parts please specify whether the valve is 4" or 6" and if it is Carbon or Stainless.

Part Number Scheme

= 4 or 6

= 4 (4 inch port)

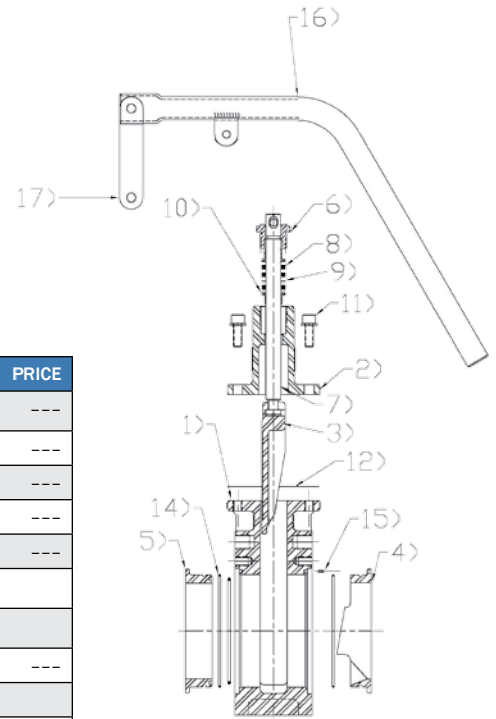
= 6 (6 inch port)

* = C or S

= C (Carbon Steel)

= S (Stainless Steel)

4" and 6" NVE Single Gate Valve Parts Diagram



NVE Single Gate Valves | Replacement Parts

ITEM	PART NUMBER	DESCRIPTION	WEIGHT	PRICE
1	190-002-#*	VALVE BODY	---	---
2	190-004-#*	VALVE BONNET	---	---
3	190-006-#	VALVE GATE	---	---
4	190-010-#	VALVE GUIDE	---	---
5	190-012-#	VALVE SEAT	---	---
6	190-014-4	VALVE PACKING BRASS	0.10	
	190-014-4S	VALVE PACKING SS	0.20	
7	190-016-#	VALVE STEM	---	---
8	190-018-4S	VALVE PACKING TEFLON	0.01	
9	190-020-4	VALVE WASHER VITON	0.01	
10	190-022-4	VALVE BUSHING BRONZE	0.05	
	190-022-4S	VALVE BUSHING TEFLON	0.01	
11	190-028-#	VALVE BOLT W/ LW	---	---
12	190-038-#	VALVE BONNET GASKET	---	---
13	190-040-#	VALVE SEAT O-RING	---	---
	190-040-#T	VALVE SEAT O-RING TEFLON	---	---
14	190-042-#	VALVE GUIDE O-RING	---	---
	190-042-#T	VALVE GUIDE O-RING TEFLON	---	---
15	190-044-4	VALVE ROLL PIN	---	---
16	CALL NVE	VALVE HANDLE ASSM. (HANDLE & BARS)	---	---
17	CALL NVE	VALVE HANDLE FASTENER SET	---	---

Genuine National Vacuum Equipment Products Proudly Distributed By *Armstrong Equipment Inc.*

800-699-7557