

Masport[®]

*"Quality Vacuum Pumps
& Components"*

Oil Separator With Demister Pad (Part# 15466,15471)

OIL SEPARATOR WITH DEMISTER PAD

HORIZONTAL

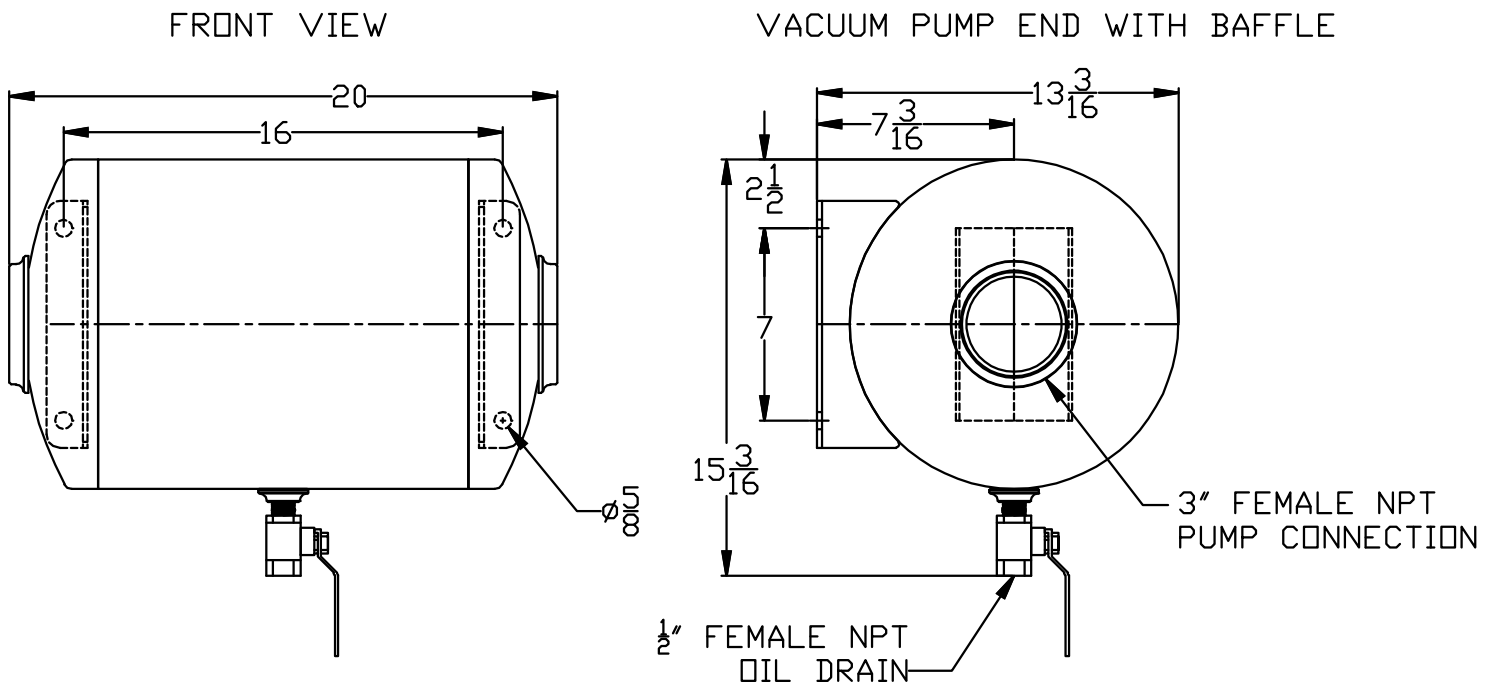


VERTICAL

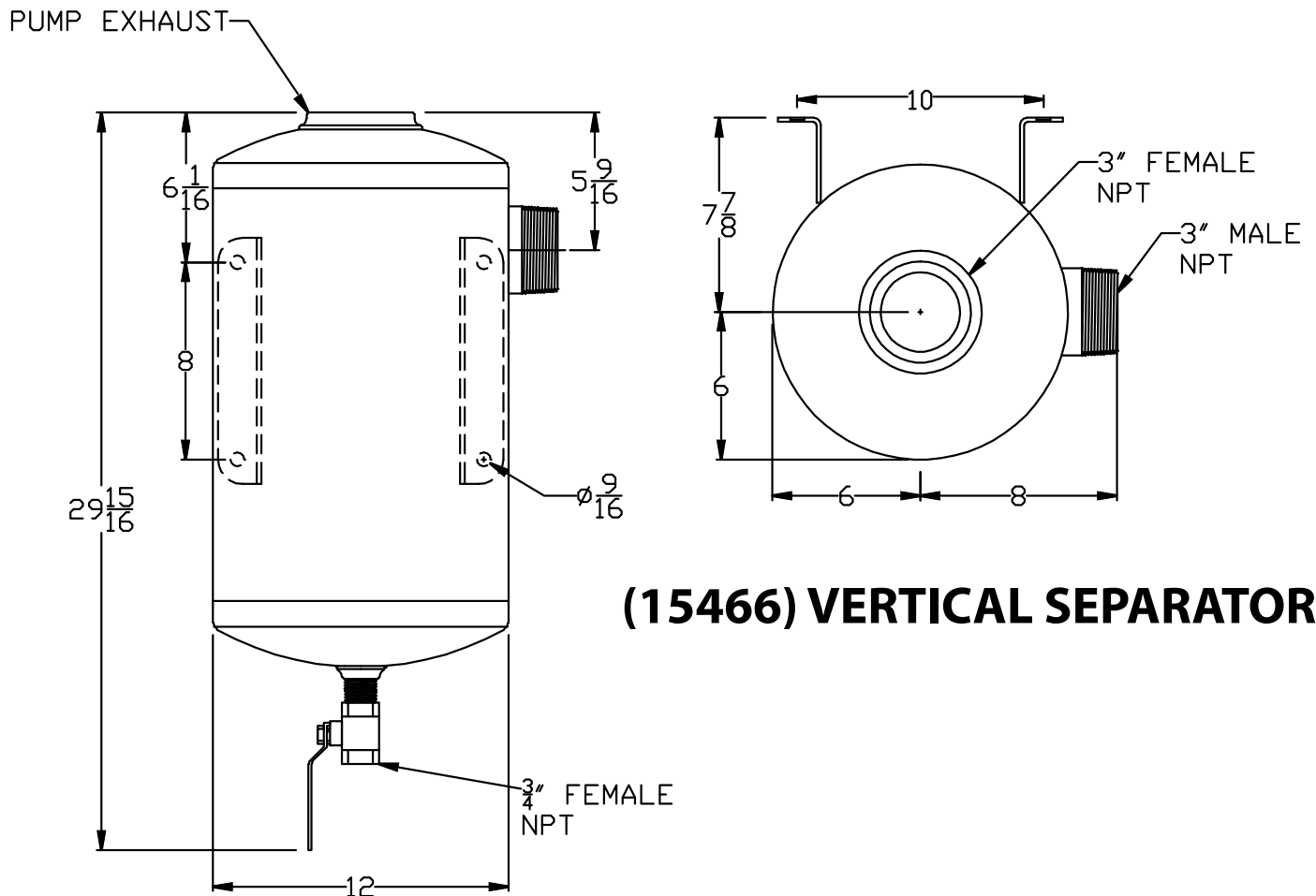


- ◆ 99% Efficient- ***No More Oil Carryover!***
- ◆ Unique Internal Demister Element.
- ◆ Fits Up To 400 C.F.M. Vacuum Pumps.

DIMENSIONAL DATA



(15471) HORIZONTAL SEPARATOR



(15466) VERTICAL SEPARATOR