

# Masport<sup>®</sup>

*"Quality Vacuum Pumps  
& Components"*

**Self-Aligning Gearbox Kit & Base - 33801, 33802**

## SELF-ALIGNING GEARBOX KIT

**Quick & Easy  
Mounting**



**Save Time!**

**Save Money!**

**Minimize Maintenance!**

**No Alignment Required! Simple Set-up! Outstanding Value!**

**Includes: Pump Base, Self-Aligning Gearbox Bracket,  
Superior 1:1 Right Angle Gearbox, Sure Flex Coupling Kit.**

**The Self-Aligning Bracket is Pivoting-Rotational to Help in  
Drive Shaft Alignment.**

**For Masport pump models  
HXL75V, HXL75WV, HXL15V, HXL15WV, HXL400WV.  
Driver side mount and passenger side mount available.**

# Self-Aligning Gearbox Kit

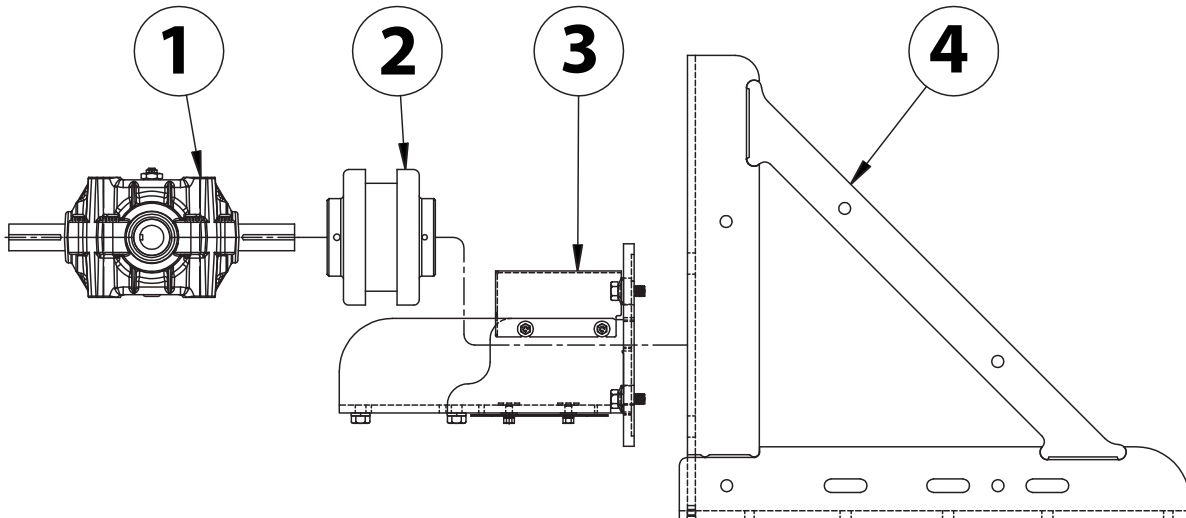


Kit includes Superior Right Angle Gearbox 1:1 ratio, 24 HP



Sure Flex Coupling Kit 24 HP

## PARTS LIST



Ref:	Description	Driver Side Mount (33801)	Passenger Side Mount (33802)	Qty.
1	Right Angle Gearbox	17702-1	17702-1	1
2	Coupling Kit	17202	17202	1
3	Self-Aligning Gearbox Bracket	33030	33033	1
4	Base Assembly	33031	33031	1

For additional information on these quality Masport Vacuum / Pressure Pumps & Components contact:

### MASPORT INCORPORATED

6801 Cornhusker Hwy  
Lincoln, Nebraska 68507  
Ph: 402-466-8428 Fax: 402-466-8355  
[www.masportpump.com](http://www.masportpump.com)

CALL TOLL FREE 800-228-4510

