

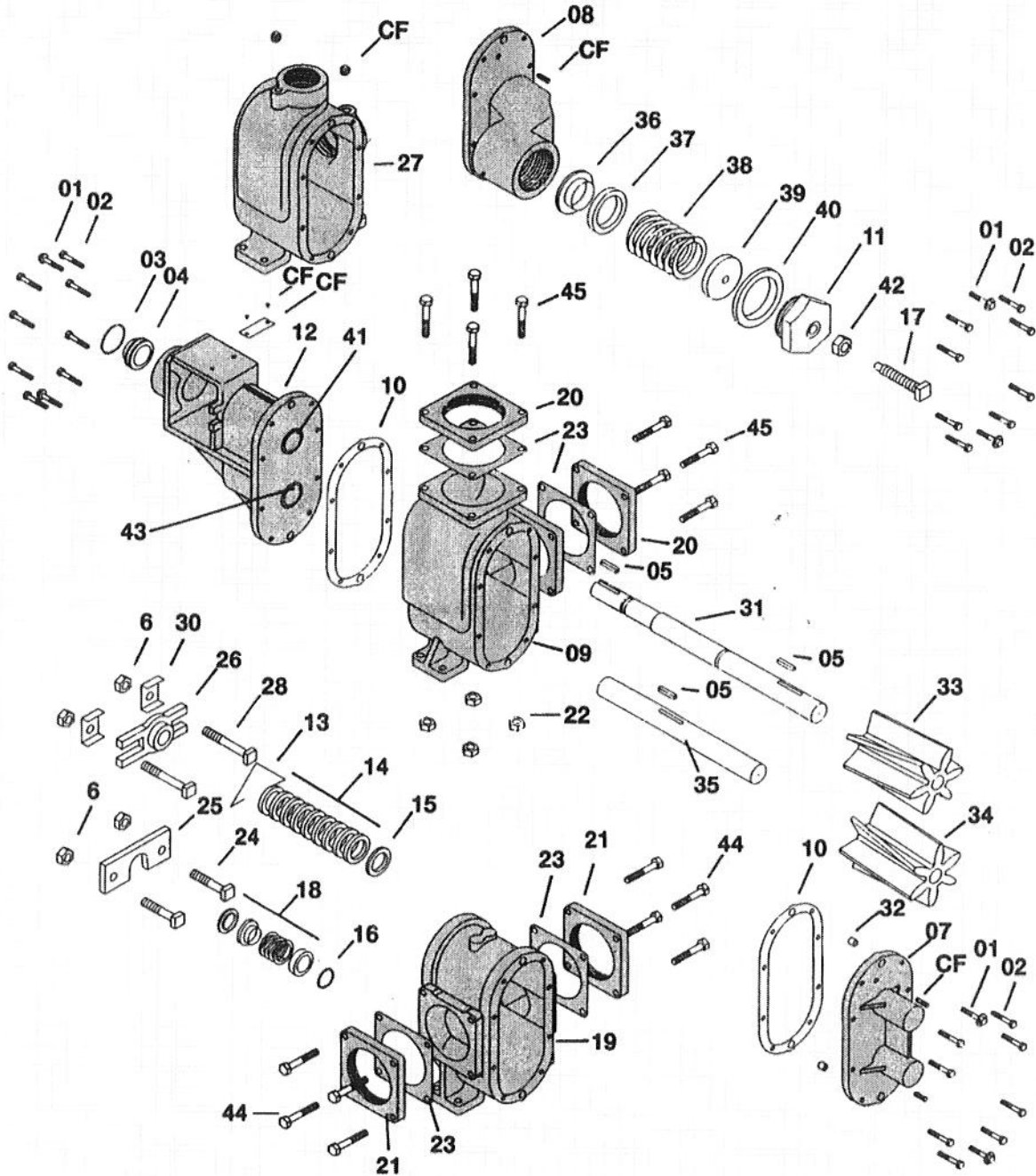
Ranger

Picture RA
119P-228M HB, F, RV

Ranger Inc.
R06-11-1

RANGER PUMPS
MEMPHIS, TN

Section B
Pumps



Ranger, Inc. is not affiliated with Roper Pump Company. Ranger, Inc.'s pumps and replacement parts are neither certified nor approved by Roper Pump Company. ROPER® is a registered trademark of Roper Holdings, Inc.

Spartanburg, SC - Phone: 800.828.6555 - Fax: 864.583.1550
Cincinnati, OH - Phone: 866.879.9773 - Fax: 513.860.1355
Chicago, IL - Phone: 800.621.7131 - Fax: 708.442.9229
www.littlejohninc.com



Ranger

Ranger Inc.
R06-11-1

RANGER, INC.
USE PICTURE REFERENCE RA
RANGER 119P-228M, HB, F, RV (Reference Roper® 3611-3722HB)

PIC NO.	PART DESCRIPTION	2" (11)		2 1/2" (17)		3" (22)	
		RANGER PART #	ROPER® PART #	RANGER PART #	ROPER® PART #	RANGER PART #	ROPER® PART #
01	Wash Hd. Cap Screw	B63-038150	G49-24	B63-038150	G49-24	B63-038150	G49-24
02	Hex Hd. Cap Screw	B60-038100	G49-037100	B60-038100	G49-037100	B60-038100	G49-037100
03	Retaining Ring Internal	03C-2051	G41-10	03C-2051	G41-10	03C-2051	G41-10
04	Ball Bearing	04C-100205	G40-41	04C-100205	G40-41	04C-100205	G40-41
05	Key Std.	05C-252515	D30-9	05C-252515	D30-9	05C-252515	D30-9
06	Locknut	N61-437	D441-755	N61-437	D441-755	N61-437	D441-755
07*	Plain Rearplate Assy.	PLEASE REFER	TO CHART	AT THE	BOTTOM OF	THIS PAGE	
08*	RV Rearplate Assy.	PLEASE REFER	TO CHART	AT THE	BOTTOM OF	THIS PAGE	
09	Case	N/A	N/A	09I-17U	P1-402	09I-22U	P1-175
10	Gasket Case	10F-01U	D11-338	10F-01U	D11-338	10F-01U	D11-338
10	Gasket Case Aluminum	10A-01U	D11-339	10A-01U	D11-339	10A-01U	D11-339
11	Plug Cap RV	11I-01U	P17-110	11I-01U	P17-110	11I-01U	P17-110
12*	Driveplate Assy.	PLEASE REFER	TO CHART	AT THE	BOTTOM OF	THIS PAGE	
13	Spring Clip	13C-01U	D42-2	13C-01U	D42-2	13C-01U	D42-2
14	Packing Set TFE (Std.)	14X-01U	N43-1	14X-01U	N43-1	14X-01U	N43-1
14	Packing Set Graphite	14G-01U	N43-151	14G-01U	N43-151	14G-01U	N43-151
14	Packing Set Pure TFE	14T-01U	N43-101	14T-01U	N43-101	14T-01U	N43-101
14	Packing Set Ranger RSA	14D-01U	N43-170	14D-01U	N43-170	14D-01U	N43-170
14	Packing Set Carbon/Graphite	14C-01U	N/A	14C-01U	N/A	14C-01U	N/A
15	Washer Packing	15C-01U	G8-246	15C-01U	G8-246	15C-01U	G8-246
16	Retaining Ring	03C-106E	G41-76	03C-106E	G41-76	03C-106E	G41-76
17	RV Screw Adjust	B60-038200	G62-44	B60-038200	G62-44	B60-038200	G62-44
18	Mech Seal Comp Buna-N	18B-106175	G4-101	18B-106175	G4-101	18B-106175	G4-101
18	Mech Seal Comp Viton	18V-106175	G4-140	18V-106175	G4-140	18V-106175	G4-140
19	Case, Straight	N/A	N/A	N/A	N/A	19I-22U	P1-171
20	Flange, Straight	N/A	N/A	20I-17NPT2	P23-12	20I-17NPT2	P23-12
21	Flange, Straight	N/A	N/A	N/A	N/A	21I-22NPT4	P23-19
22	Nut	N/A	N/A	N/A	N/A	N60-063	G44-062
23	Gasket, Flange	23V-11U	D11-333	23V-17U	D11-332	23V-22U	D11-90
24	Sq. Hd. Bolt	B40-044125	G67-043125	B40-044125	G67-043125	B40-044125	G67-043125
25	Retainer, Seal	25C-01U	D23-252	25C-01U	D23-252	25C-01U	D23-252
26	Packing Gland	26I-01U	P10-178	26I-01U	P10-178	26I-01U	P10-178
27	Case, Screwed	27I-11U	P1-178	27I-17U	P1-177	N/A	N/A
28	Sq. Hd. Bolt	B40-044275	G67-043275	B40-044275	G67-043275	B40-044275	G67-043275
29	Flange Kit 90° (229P)	N/A	N/A	N/A	N/A	29I-90LK	N14-31
29	Flange Kit 90° (228P)	N/A	N/A	N/A	N/A	29I-805LK	N14-23
30	Clip, Pkg. Gland	30C-01U	D42-1	30C-01U	D42-1	30C-01U	D42-1
31	Shaft, Drive	31C-11R	D1-2072	31C-17R	D1-2073	31C-22R	D1-1998
31	Shaft, Drive SST	31S-11R	D1-2076	31S-17R	D1-2077	31S-22R	D1-2027
32	Dowel Pin Hollow	32C-01U	D48-34	32C-01U	D48-34	32C-01U	D48-34
33	Gear, LH	33I-11U	P6-276	33I-17U	P6-274	33I-22U	P6-278
34	Gear, RH	34I-11U	P6-275	34I-17U	P6-273	34I-22U	P6-277
35	Shaft, Idler	35C-11U	D1-1098	35C-17U	D1-1100	35C-22U	D1-1077
35	Shaft, Idler SST	35S-11U	D1-1099	35S-17U	D1-860	35S-22U	D1-1078
36	RV Popper SST	36S-01U	D16-16	36S-01U	D16-16	36S-01U	D16-16
37	Adapter Poppet	37C-01U	G8-281	37C-01U	G8-281	37C-01U	G8-281
37	Adapter Poppet SST	37S-01U	G8-282	37S-01U	G8-282	37S-01U	G8-282
38	Spring, Std	38C-01U	G10-355	38C-01U	G10-355	38C-01U	G10-355
38	Spring, SST	38S-01U	G10-363	38S-01U	G10-363	38S-01U	G10-363
38	Spring, High Pressure	38H-01U	G10-375	38H-01U	G10-375	38H-01U	G10-375
39	Guide, Spring	39C-01U	D8-348	39C-01U	D8-348	39C-01U	D8-348
39	Guide, Spring SST	39S-01U	D8-355	39S-01U	D8-355	39S-01U	D8-355
40	Gasket, Cap RV	40V-01U	D828-41	40V-01U	D828-41	40V-01U	D828-41
41**	Bushing, Short	PLEASE REFER	TO CHART	AT THE	BOTTOM OF	THIS PAGE	
42	Locknut Seal	N65-038S	G43-18	N65-038S	G43-18	N65-038S	G43-18
43**	Bushing, Long	PLEASE REFER	TO CHART	AT THE	BOTTOM OF	THIS PAGE	
44	Hex Hd Cap Screw	N/A	N/A	N/A	N/A	B62-063175	G49-062175
45	Hex Hd Cap Screw	N/A	N/A	N/A	N/A	B62-063225	G49-062225

*ENTER MATERIAL CODES TO COMPLETE REQUIRED PART NUMBERS

PLAIN REARPLATE RV REARPLATE DRIVEPLATE ASSY

07 - 01U 08 - 01 12 - 01

BUSHING MATERIAL CODE RV CODE MODEL CODE

B = Bronze U = No RV Parts R = Regular (HB)

C = Carbon R = Regular G = Gear Reduction

I = Iron S = Stainless H = Hydraulic Drive

T = TFE/Carbon H = Hi-Pressure

H = Hi-Temp. Bronze

****Bushing Part Number**

- 43B-01U Bronze, Long
- 41B-01U Bronze, Short
- 43H-01U Bronze, Long, Hi Temp
- 41H-01U Bronze, Short, Hi Temp
- 43C-01U Carbon, Long
- 41C-01U Carbon, Short
- 43T-01U TFE & Carbon, Long
- 41T-01U TFE & Carbon, Short
- 43I-01U Iron, Long
- 41I-01U Iron, Short

Section B
Pumps



Spartanburg, SC - Phone: 800.828.6555 - Fax: 864.583.1550
Cincinnati, OH - Phone: 866.879.9773 - Fax: 513.860.1355
Chicago, IL - Phone: 800.621.7131 - Fax: 708.442.9229
www.littlejohninc.com