



Masport RBDV 65 Blower System Parts Manual

System Number:
12820, 12821

MASPORT INCORPORATED

6140 McCormick Drive Phone (402) 466-8428
Lincoln, NE 68507 Fax (402) 466-8355

Toll Free 1(800) 228-4510
www.masportpump.com

PRICE: **\$5.00**

© Masport Incorporated All Rights Reserved

90336

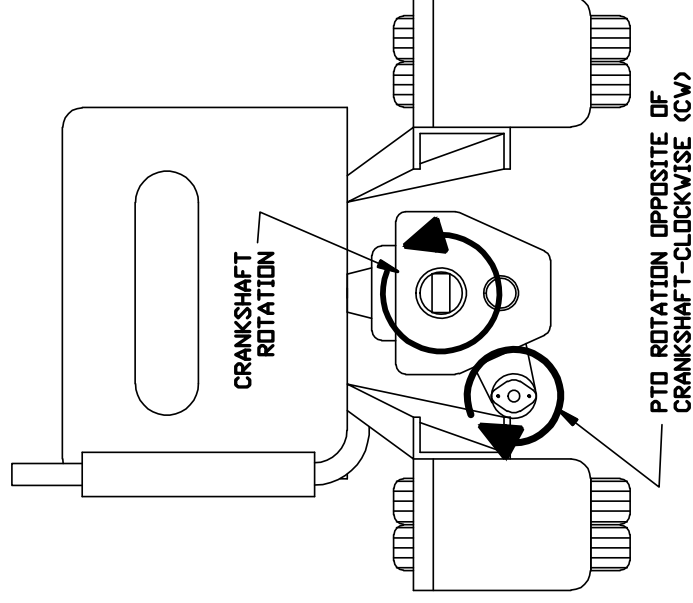
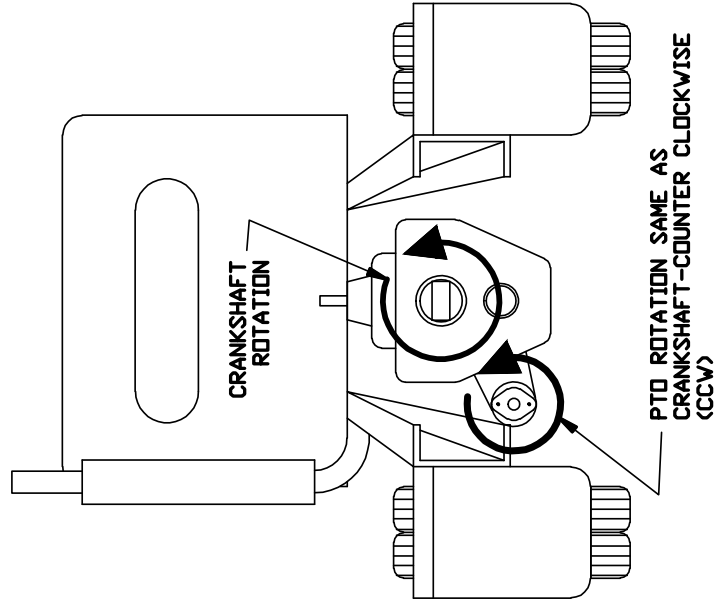
TABLE OF CONTENTS

I. PTO ROTATION DIAGRAM.....	pg. 1
II. GEARBOX ROTATION REVERSAL DIAGRAM.....	pg. 2
III. DRIVE COUPLING ALIGNMENT DIAGRAM.....	pg. 3
IV. GEARBOX COOLING SYSTEM PARTS.....	pg. 4,5
V. HEAT EXCHANGER PARTS.....	pg. 6
VI. BASE ASSEMBLY PARTS.....	pg. 7
VII. BLOWER PLUMBING PARTS.....	pg. 8,9
VIII. GAUGE PANEL PARTS.....	pg. 10,11
VIV. PREFILTER PARTS.....	pg. 12
X. BLOWER TO GEARBOX COUPLING PARTS.....	pg. 13
XI. GAUGE VENTING PROCEDURE.....	pg. 14



DETERMINING PTO ROTATION

VIEW FROM
REAR OF TRUCK



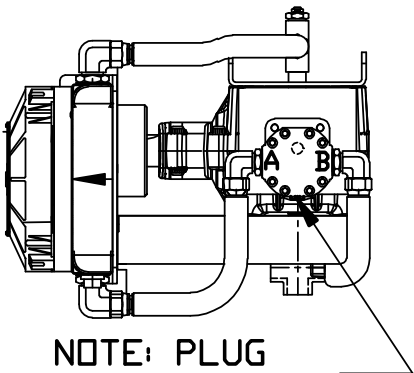
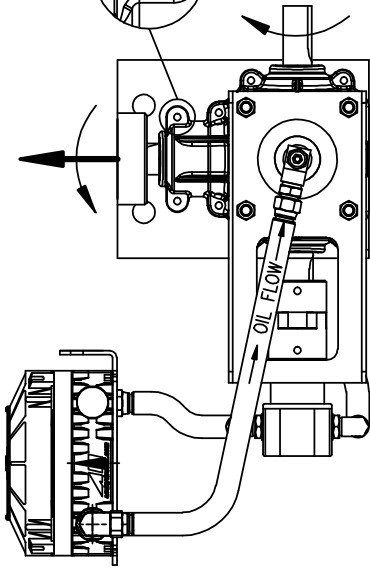
ROTATION IS ALWAYS DETERMINED FACING THE END OF THE SHAFT.

IF YOUR PTO IS CLOCKWISE, YOU WILL NEED A COUNTER CLOCKWISE PUMP SYSTEM. IF YOUR PTO IS COUNTER CLOCKWISE, YOU WILL NEED A CLOCKWISE PUMP SYSTEM.

CLOCKWISE ROTATION

ALLEN BOLT
HEAD ON BOTTOM

BLOWER



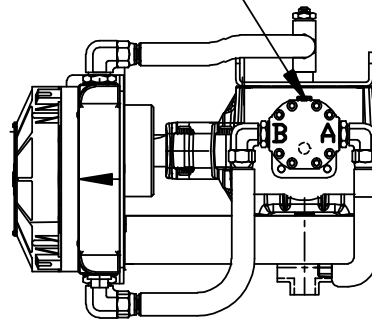
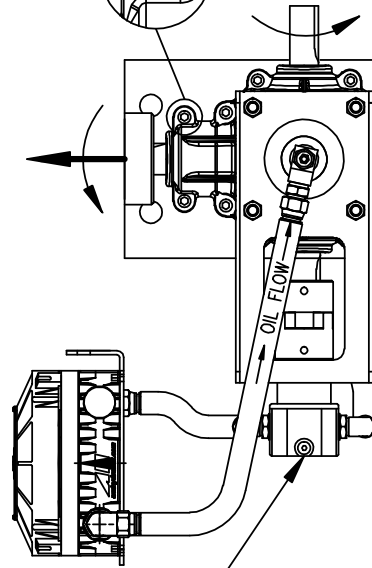
NOTE: PLUG
ON BOTTOM OF
OIL PUMP FOR
CLOCKWISE ROTATION.

DIAGRAM A

COUNTER CLOCKWISE ROTATION

ALLEN BOLT
HEAD ON TOP

BLOWER



NOTE: PLUG ON
TOP OF OIL PUMP FOR
COUNTER CLOCKWISE ROTATION.

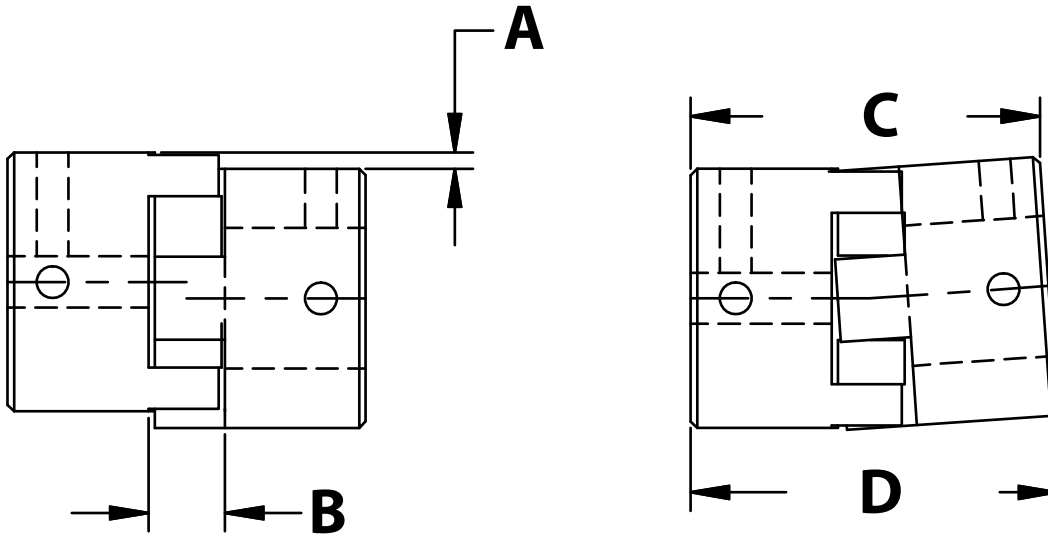
DIAGRAM B



LOVE JOY COUPLING INSTALLATION SPECIFICATIONS

MAXIMUM PARALLEL MISALIGNMENT

MAXIMUM ANGULAR MISALIGNMENT

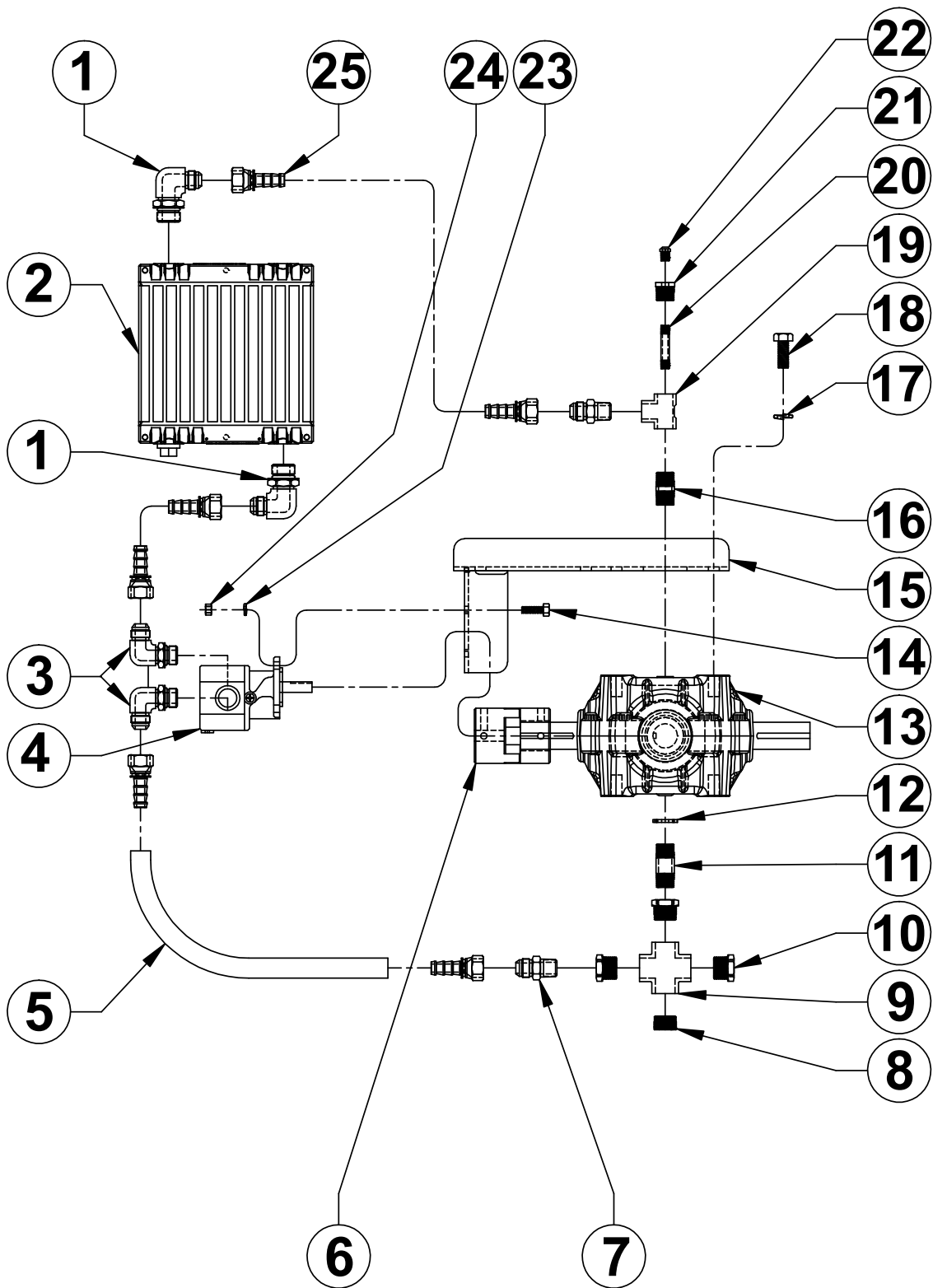


Love Joy Coupling Installation Specifications

	Kit #17207 RB45 to Gear Box	Kit #17210 Gear Box to Oil Pump	Kit #17211 RB65 to Gear Box
A	.015" Max	.015" Max	.015" Max
B	1.00"	.75"	1.00"
Angular	.065" Max	.040" Max	.065" Max
Cap Screw Torque in.-lbs	260-290	150-165	260-290

Angular = Difference between C and D

GEARBOX HEAT EXCHANGER ASSEMBLY



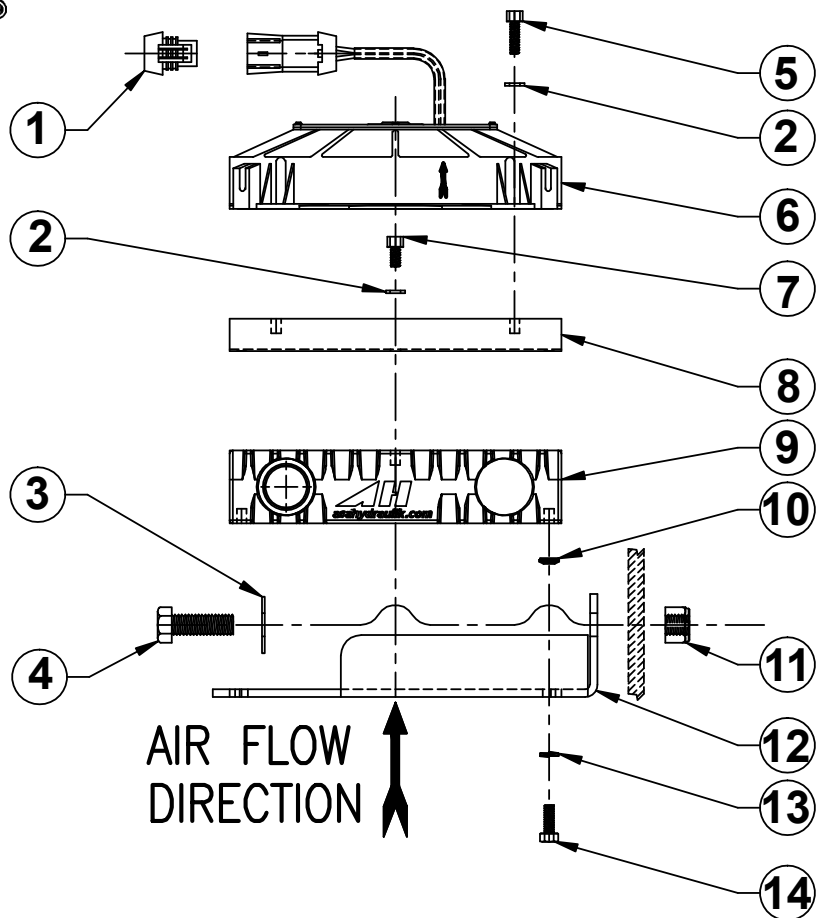


GEARBOX HEAT EXCHANGER ASSEMBLY

<u>Reference:</u>	<u>Description:</u>	<u>Part Number:</u>	<u>Qty:</u>
1	Elbow 1 1/16" x 7/8"-14	27104	2
2	Heat Exchanger	See Separate Parts List # 90073	1
3	Elbow 7/8"-14	27105	2
4	Pump Gearbox Cooler	38200	1
5	Hose 5/8" ID Pushlock	24289	36"
6	Coupling Kit	17210	1
7	Adaptor 1/2" NPT x 7/8" -14	27103	2
8	Plug 3/4" Allen Head Magnetic	27480	1
9	Cross 3/4"	27043	1
10	Bushing 3/4" x 1/2" Brass	27038	3
11	Nipple 1/2" x 2" Galv	30254	1
12	Nut 1/2" NPT Lock Conduit	32029	1
13	Gearbox Right Angle 2:1	17702-2	1
14	Bolt 5/16" x 1" GR5 Zinc	32202	4
15	Oil Pump Mounting Bracket Assy	33568	1
16	Nipple 1/2" x 1 1/2" Galv.	30253	1
17	Washer 1/2" Lock	32507	4
18	Bolt 1/2" x 1 1/4" Zinc	32229	4
19	Tee 1/2"	27040	1
20	Nipple 1/8" x 2"	30123	1
21	Bushing 1/2" x 1/8"	27466	1
22	Plug Vent for Superior Gearbox	27302	1
23	Washer 5/16" Lock Plated	32502	4
24	Nut 5/16" Plated	32000	4
25	Pushlock 7/8"-14 x Hose	27042	6
Not Shown	Oil Synthetic Blower 1 Gallon	72060	1600 ml

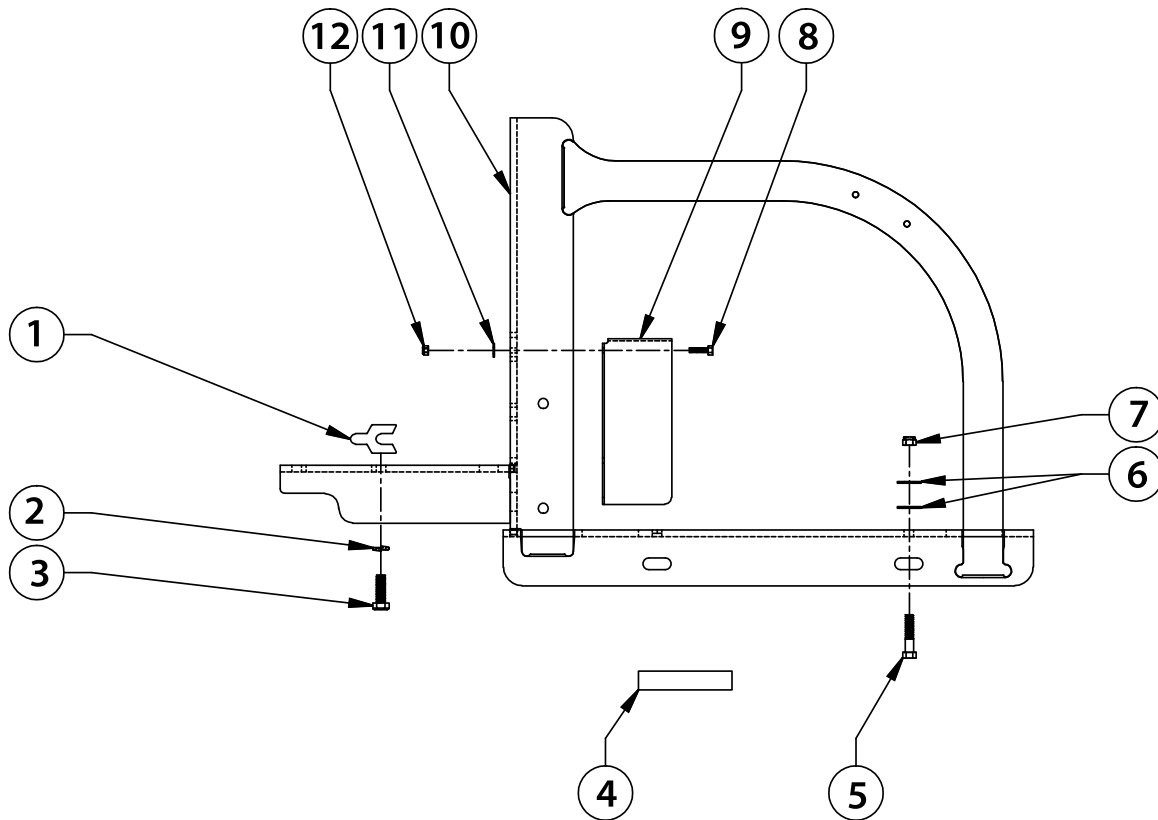
Masport®

HEAT EXCHANGER FAN ASSEMBLY



HEAT EXCHANGER - FAN ASSEMBLY

<u>Reference:</u>	<u>Description:</u>	<u>Part Number:</u>	<u>Qty:</u>
1	Connector for 22300 Fan	37159	1
2	Washer 6mm Flat Plated	32273	6
3	Washer 1/2" Flat Plated	32511	2
4	Bolt 1/2" x 1 1/2" GR5 Plated	32216	2
5	Bolt 6mm x 20mm Socket Head	504064	4
6	Fan 12 Volt	22300	1
7	Bolt 6mm x 12mm Socket Head	33274	2
8	Fan Adaptor	22301	1
9	Heat Exchanger	22150	1
10	Washer Bonded #14 ID x 1/2" ID	32524	4
11	Nut 1/2" Nylon Insert Plated	32008	2
12	Bracket Heat Exchanger Mount	33569	1
13	Washer 6mm Lock Plated	32519	4
14	Bolt 6mm x 18mm Plated	32271	4



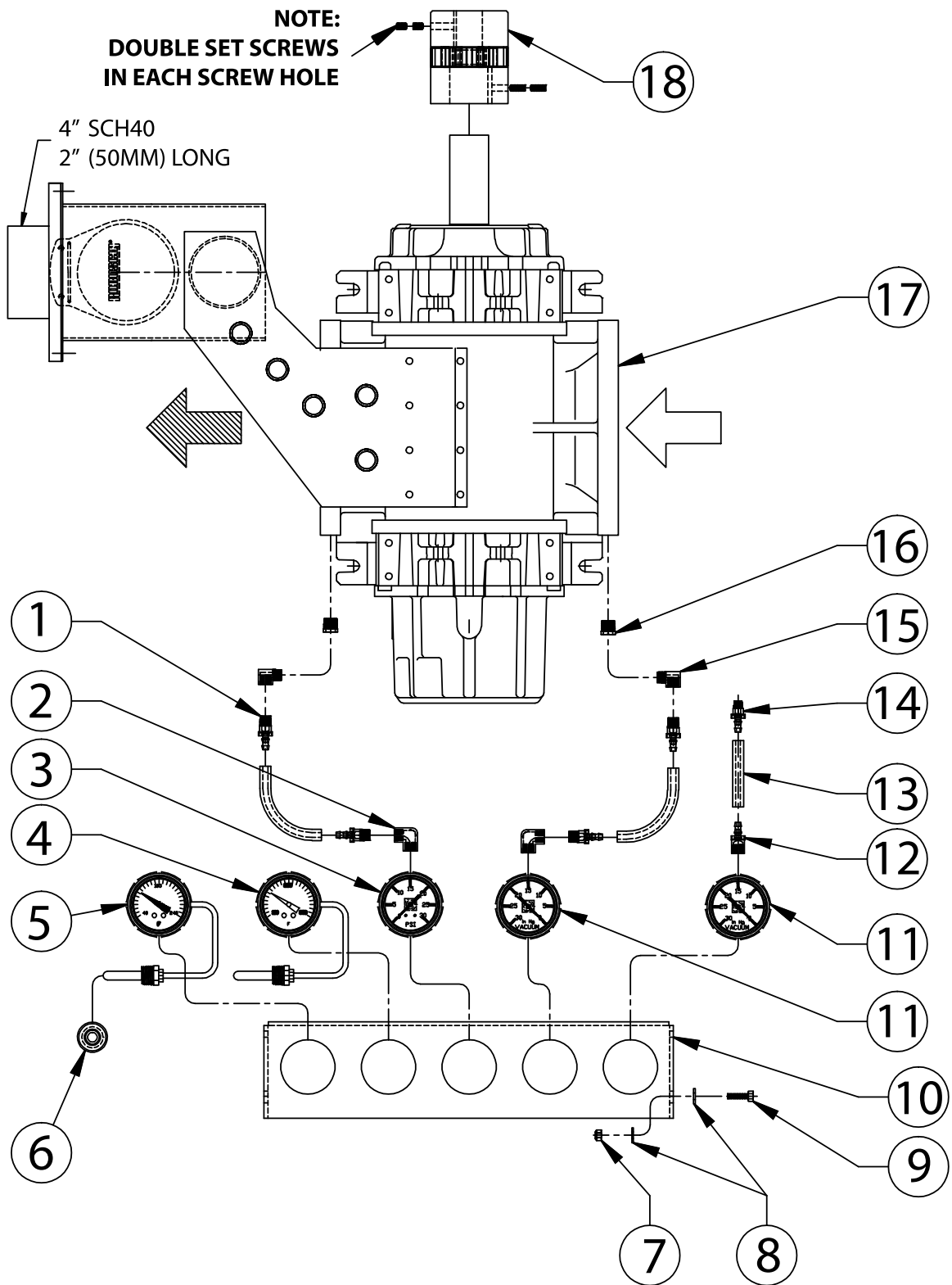
33021 BASE ASSEMBLY GEARBOX MOUNT RB65

<u>Reference:</u>	<u>Description</u>	<u>Part Number</u>	<u>Qty</u>
1	Shim Washer 9/16" Slot	32523	16
2	Washer 1/2" Lock	32507	4
3	Bolt 1/2" x 1 1/2" GR5 Plated	32216	4
4	Coupling Alignment Strip	33469	1
5	Bolt 1/2" x 2" GR5 Zinc	32215	4
6	Washer 1/2" Flat Plated	32511	8
7	Nut 1/2" Nylon Insert Plated	32008	4
8	Bolt 1/4" x 1" GR5 Plated	32250	4
9	Guard Coupler RB65 Base Painted	33704	1
10	Base Assembly RB65 Painted	40103	1
11	Washer 1/4" Flat Plated	32505	4
12	Nut 1/4" Nylon Insert Plated	32009	4



**PLUMBING DIAGRAM
RB-DV 65 PLUG & PLAY
SYSTEM # 12820**

<u>Ref:</u>	<u>Description:</u>	<u>Part Number:</u>	<u>Qty:</u>	<u>Ref:</u>	<u>Description:</u>	<u>Part Number:</u>	<u>Qty:</u>
1	Bolt 8mm x 25mm (included with Valve Assy)	n/a	16	14	Manifold Intake Check to Pre-Filter	30309	1
2	Bolt 3/4" x 2 1/2" GR5 Zinc	32291	8	15	Nut 5/8" Plated	32022	8
3	Washer 3/4" Flat	32517	16	16	Washer 5/8" Lock	32506	8
4	Manifold Exhaust RB65 Flange	30311	1	17	Washer 5/8" NOM SAE Plated	32516	16
5	Gasket 4" RB65 Intake/Exhaust	36195	2	18	Gasket 4" Wafer Check	36194	2
6	Nut 3/4" Plated	32023	16	19	Valve Check 4" Wafer Type	25138	1
7	Washer 3/4" Lock Plated	32518	16	20	Manifold Intake Valve to Check Flange	30310	1
8	Pre-Filter 4" RB65 Poly P&P	15140	1	21	Bolt 5/8" x 4 1/2" GR5 Zinc	32290	8
9	Nut 5/16" Plated	32000	4	22	Gasket 4" Remote Valve Flange (included with Valve Assy)	36193	4
10	Washer 5/16" Lock Plated	32502	4	23	Valve Remote 4" Four-way	25174	1
11	Washer 1/4" Flat Plated	32505	8	24	Washer 8mm Lock (included with Valve Assy)	n/a	8
12	Gasket 4" Remote Valve Flange	36193	1	25	Flange Weld 4" Pipe x Remote Valve	73061	2
13	Bolt 5/16" x 1 1/2" Zinc	32207	4				
14	Manifold Intake Check to Pre-Filter	30309	1				



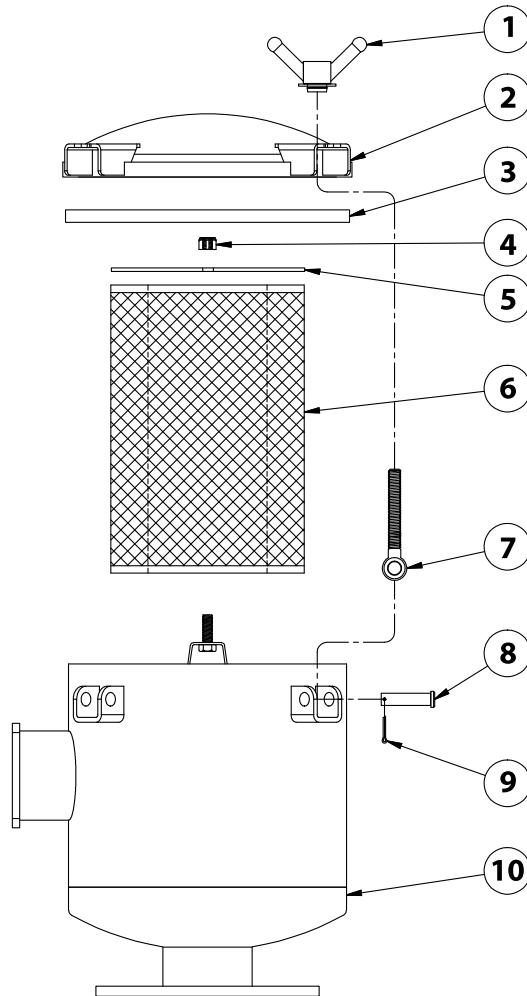


GAUGE PANEL ASSEMBLY RB-DV 65 PLUG & PLAY SYSTEM # 12820

<u>Reference:</u>	<u>Description</u>	<u>Part Number</u>	<u>Qty</u>
1	Pushlock 1/4" Brass	27001	4
2	Elbow 1/4" Brass	27000	2
3	Gauge Panel Mount 0-30 P.S.I.	21078	1
4	Gauge Panel Mount Temp 100-350 F Exhaust Temperature	21080	1
5	Gauge Panel Mount Temp 30-240 F Gearbox Oil Temperature	21077	1
6	Grommet Fit 1" Hole Rubber	36156	2
7	Nut 1/4" Nylon Insert Plated	32009	4
8	Washer 1/4" Flat Plated	32505	8
9	Bolt 1/4" x 1" GR5 Plated	32250	4
10	Panel Gauge RB65 Base	33746	1
11	Gauge Panel Mount Vac 0-30"Hg	21079	2
12	Pushlock 1/4" Female Brass	27036	1
13	Hose 1/4" ID Pushlock (ft)	24299	3
14	Pushlock 1/8" NPT x 1/4" Hose	27003	1
15	Elbow 1/4" Brass Street	27002	2
16	Bushing 3/8" x 1/4" Galv.	27456	2
17	Blower RB-DV65	70651	1
18	Kit Coupling RB65	17211	1

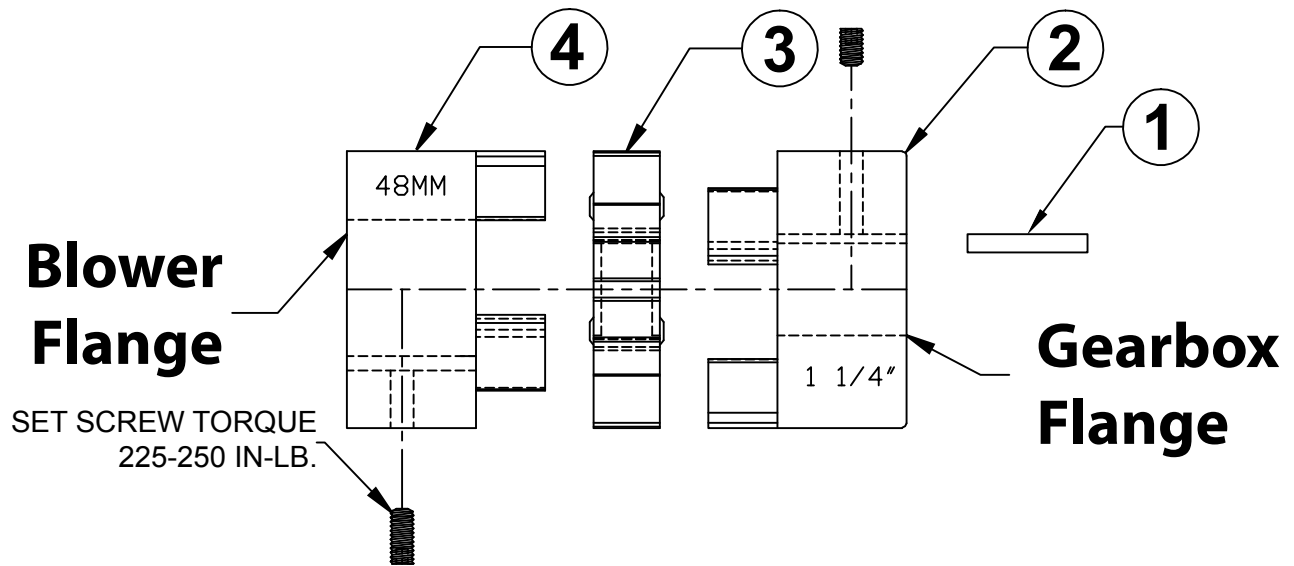


15140 Pre-Filter 4” RB-DV65 Plug & Play



15140 PRE-FILTER 4” RB-DV65 PLUG & PLAY

<u>Reference:</u>	<u>Description</u>	<u>Part Number</u>	<u>Qty</u>
1	Nut Wing 5/8”	32600	4
2	Lid Inline Filter RB65 P&P	18362	1
3	Gasket Nitrile 13” I.D.	36519	1
4	Nut 1/2” Nylon Insert Plated	32008	1
5	Plate Retainer Filter 9 3/4”	29218	1
6	Filter Element 4” Inline	26315	1
7	Bolt Eye Manway	32603	4
8	Pin Eyebolt Hinge	32602	4
9	Pin Cotter 1/8” x 1” Plated	32605	4
10	Body Inline 4” RB65 P&P	18141	1



17211 COUPLING KIT RB 65 - 48 mm x 1.25"

<u>Reference:</u>	<u>Description:</u>	<u>Part Number:</u>	<u>Qty:</u>
1	Key 1/4" x 1/4" x 1 5/8" (unplated)	17854	1
2	Coupling Flange L150 x 1 1/4"	17187	1
3	Coupling Element Spider L150	17189	1
4	Coupling Flange L150 x 48mm	17193	1

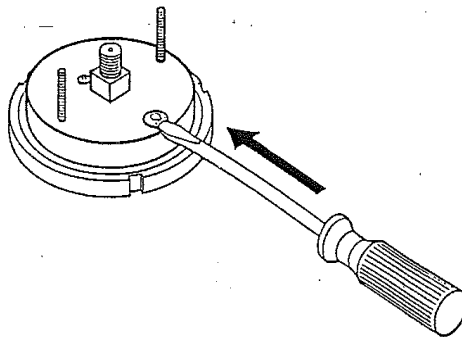
Bulletin

Internal Case Pressure

Venting Internal Case Pressure

Temperature fluctuations and changes in altitude can affect internal case pressure and accuracy of low pressure gauges. The gauge accuracy can be easily restored by venting the case. This is done by temporarily breaking the seal of the fill plug located on the back of the gauge case.

To break seal, insert the tip of a screwdriver under the edge of the fill plug and push firmly but gently. When the seal is broken, a small amount of the fill fluid will leak out relieving case pressure. The fill plug has an "O-ring" type seal, so if it pops out of the case it can easily be replaced without any detrimental effects to the seal area. To prevent excessive loss of the fill fluid, we recommend the gauge be placed face down during the venting procedure.



0232004-001

