
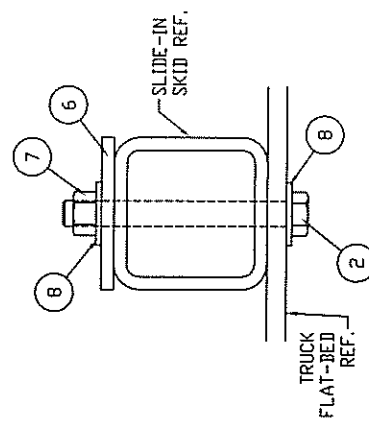
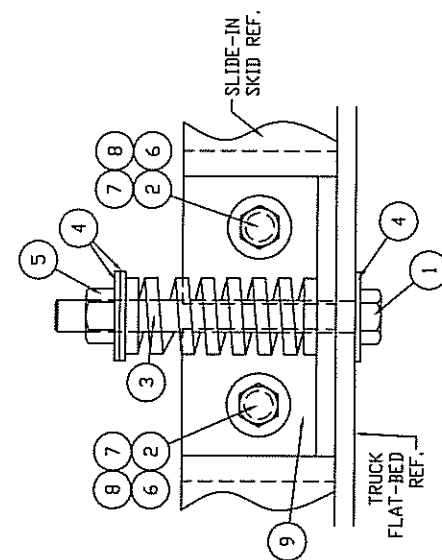
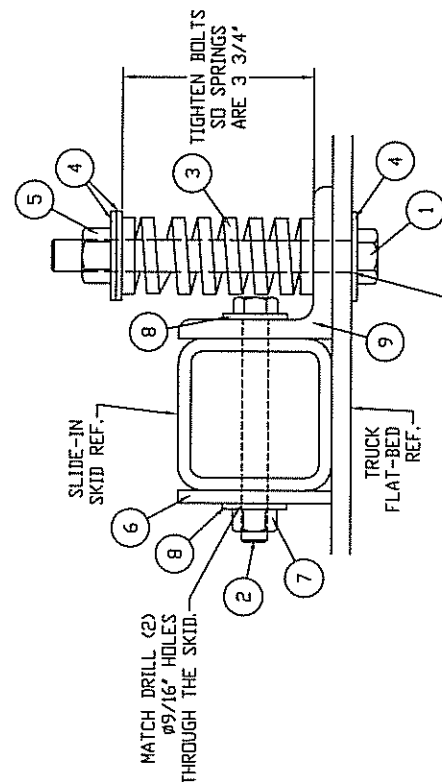


MATERIAL: L3 X 3 X 1/4" (ALUM) (PT#: 108528)

 IMPERIAL INDUSTRIES INCORPORATED IMPERIAL-CALUMET DIVISION OF VAUSAU TILE, INC.		TSAI4	
DRAWN BY: J. HOERTER	DATE: 7-9-13	SCALE: 1/2" = 1"	REVISION: 0
CHECKED BY: -	DATE: -	REVISION: -	0
DRAWING NAME: FLAT BED ANGLE MOUNTING BRACKET			
REFERENCE: X	Aluminum		DRAWING NUMBER: 801129.A1

REV.	BY	DATE	DESCRIPTION

ITEM	QTY	PART #	DESCRIPTION
1	2	103065	HEX HEAD BOLT, 5/8"-11NC (GR 5) ZP - 6' LG.
2	6	103031	HEX HEAD BOLT, 1/2"-13NC (GR 5) ZP - 4 1/2' LG.
3	2	102499	SPRING, YELLOW (CALUMET) 4" LG
4	6	103604	WASHER, FLAT 5/8" (ZP)
5	2	103974	NUT, LOCK 5/8"-11UNC CROWN LOCK (ZP)
6	6	801130	WEIGHT DISPLACEMENT WASHER
7	6	103404	NUT, LOCK 1/2"-13UNC (ZP)
8	12	103603	WASHER, FLAT 1/2" (ZP)
9	2	801129.A1	FLAT BED ANGLE MOUNTING BRACKET



INSTALLATION NOTES:
 1. MOUNT REAR MOUNTS (NO SPRING) ON EACH SIDE AS FAR BACK AS POSSIBLE.
 2. MOUNT FRONT MOUNTS ON EACH SIDE AS FAR FORWARD AS POSSIBLE.
 3. CHECK FOR INTERFERENCE WITH TRUCK FRAMING PRIOR TO DRILLING.

IMPERIAL INDUSTRIES INCORPORATED
 IMPERIAL-CALUMET DIVISION OF WAUSAU TILE, INC.

TS1A12

DRAWN BY: RSP
 CHECKED BY: -
 DRAWING NAME: S300A & S450A
 REFERENCE: 800539

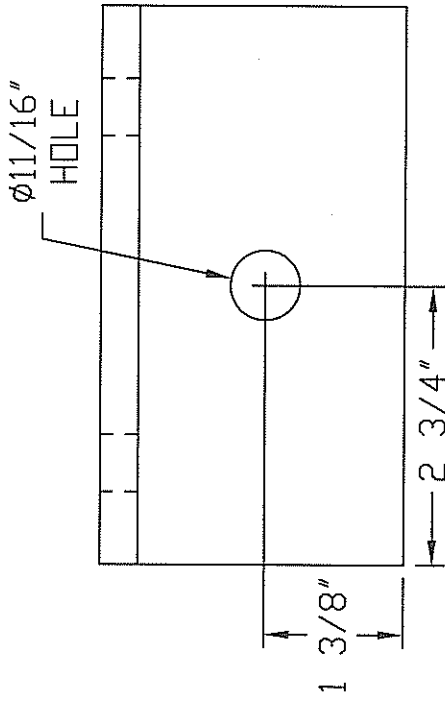
DATE: 7-9-13
 SCALE: 1/4" = 1"

REVISION: 0

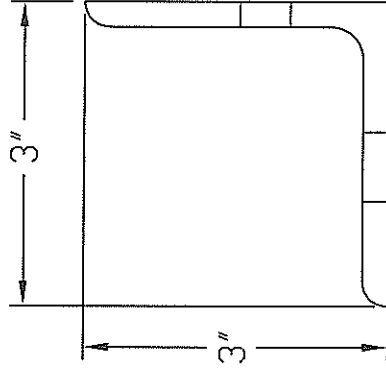
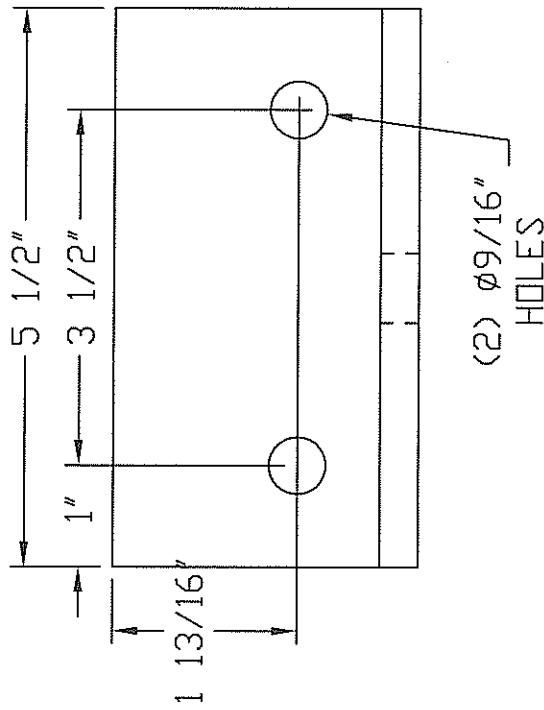
FLAT-BED MOUNTING KIT

DRAWING NUMBER: 801129.A


REV.	BY	DATE	DESCRIPTION



SHOP NOTE:
BLAST AND
PAINT BLACK

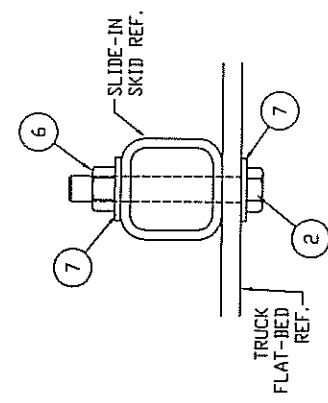
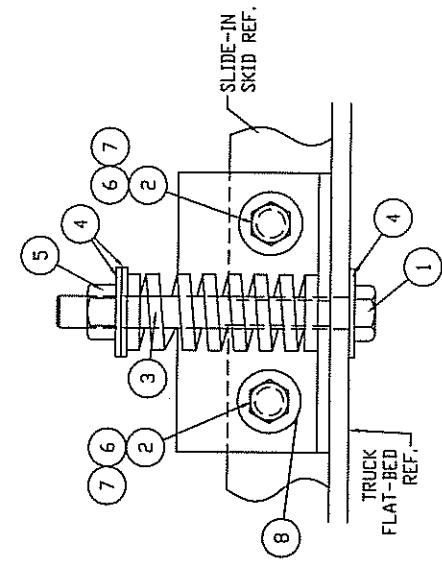
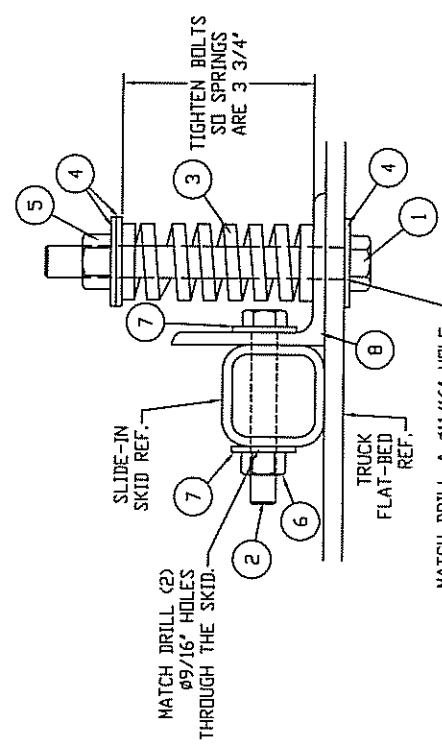


MATERIAL: L3 X 3 X 1/4" (HRS) (PT#: 108309)

 IMPERIAL INDUSTRIES INCORPORATED IMPERIAL-CALUMET DIVISION OF VAUSAUTILE, INC.		T5A14 SCALE: 1/2" = 1"	
DRAWN BY: B. ROUSH	DATE: 12-2-14	CHECKED BY: -	REVISION: 0
DRAWING NAME: FLAT BED ANGLE MOUNTING BRACKET			
REFERENCE: 801129.A1/C73437-E.1		DRAWING NUMBER: 801129.B1	

REV.	BY	DATE	DESCRIPTION

ITEM	QTY	PART #	DESCRIPTION
1	2	103065	HEX HEAD BOLT, 5/8"-11NC (GR 5) ZP - 6" LG.
2	6	103044	HHCS, 1/2"-13NC X 3 1/2" LG GR5 ZP
3	2	102499	SPRING, YELLOW (CALUMET) 4" LG
4	6	103604	WASHER, FLAT 5/8" (ZP)
5	2	103974	NUT, LOCK 5/8"-11UNC CROWNLOCK (ZP)
6	6	103404	NUT, LOCK 1/2"-13UNC (ZP)
7	12	103603	WASHER, FLAT 1/2" (ZP)
8	2	801129.B1	FLAT BED ANGLE MOUNTING BRACKET



INSTALLATION NOTES:
 1. MOUNT REAR MOUNTS (NO SPRING) ON EACH SIDE AS FAR BACK AS POSSIBLE.
 2. MOUNT FRONT MOUNTS ON EACH SIDE AS FAR FORWARD AS POSSIBLE.
 3. CHECK FOR INTERFERENCE WITH TRUCK FRAMING PRIOR TO DRILLING

IMPERIAL INDUSTRIES
 INCORPORATED
 IMPERIAL-CALUMET DIVISION OF VAUSAU TILE, INC.

TS/12

DRAWN BY: B. ROUSH DATE: 12-4-14 SCALE: 1/4" = 1"

CHECKED BY: - DATE: - REVISION: 0

DRAWING NAME: STEEL FLAT-BED MOUNTING KIT

REFERENCE: 801129.A/C73437-E Steel 801129.B

REV.	BY	DATE	DESCRIPTION