

# 100 SERIES PUMPS - 114T SPRAY BASIC



## SPECIFICATIONS

- Max Pressure (psi)** 200
- Open Flow (gpm)** 1.15
- Seals** Teflon
- O-Rings** Viton®
- Inlet Ports** (1) - 1/2" Hose Barb  
(1) - 3/8" NPT (M)
- Discharge Ports** (2) - 1/4" NPT (M)  
(1) - 1/4" NPT (M)  
(1) - 3/8" Hose Barb
- Max Fluid Temp (°F)** 140
- Voltage** 12V DC

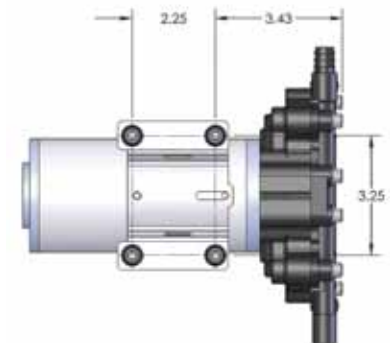
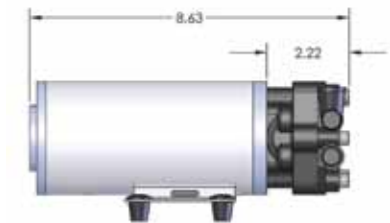
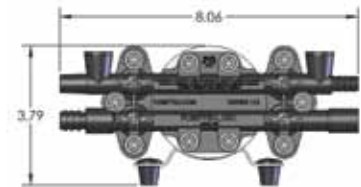
## MATERIALS

- Body** Nylon
- Plunger** Stainless Steel
- Valves** Nylon
- Fasteners** Stainless Steel

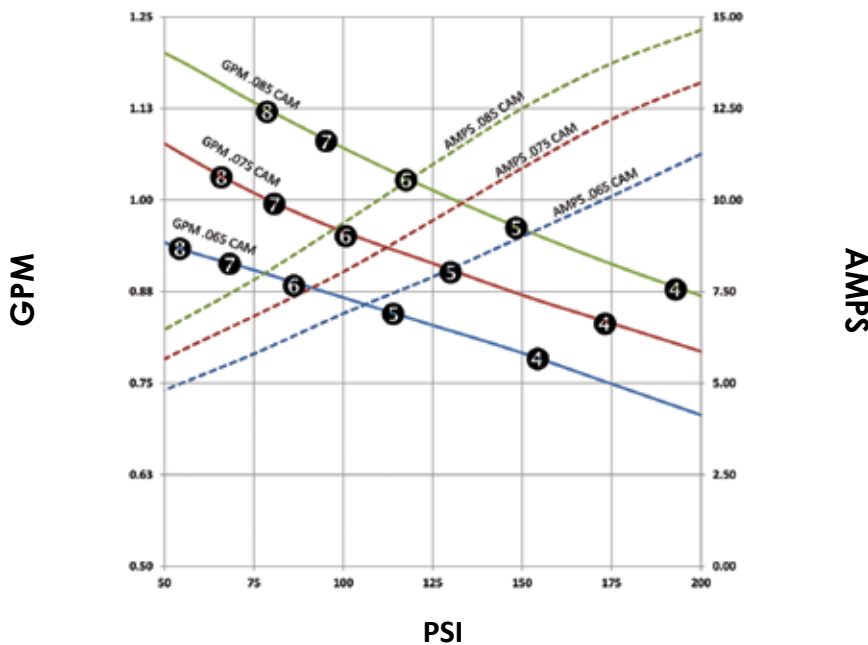


## EXAMPLE

CAM	AMPS	PSI	GPM
.075	13.2	200	.79



## 114T/M15-8



## WARNING

Do not connect bypass hose from regulator back to pump.

Failure to use the Regulator will lead to pump and motor failure.

Data recorded pumping water at room temperature and 12V DC power. Actual performance will vary with voltage, application, and mfg tolerances. Copyright PumpTec, Inc. 2014

- Spraying Systems Co. nozzle sizes
- \* Standard cams shown, more cams available upon request