

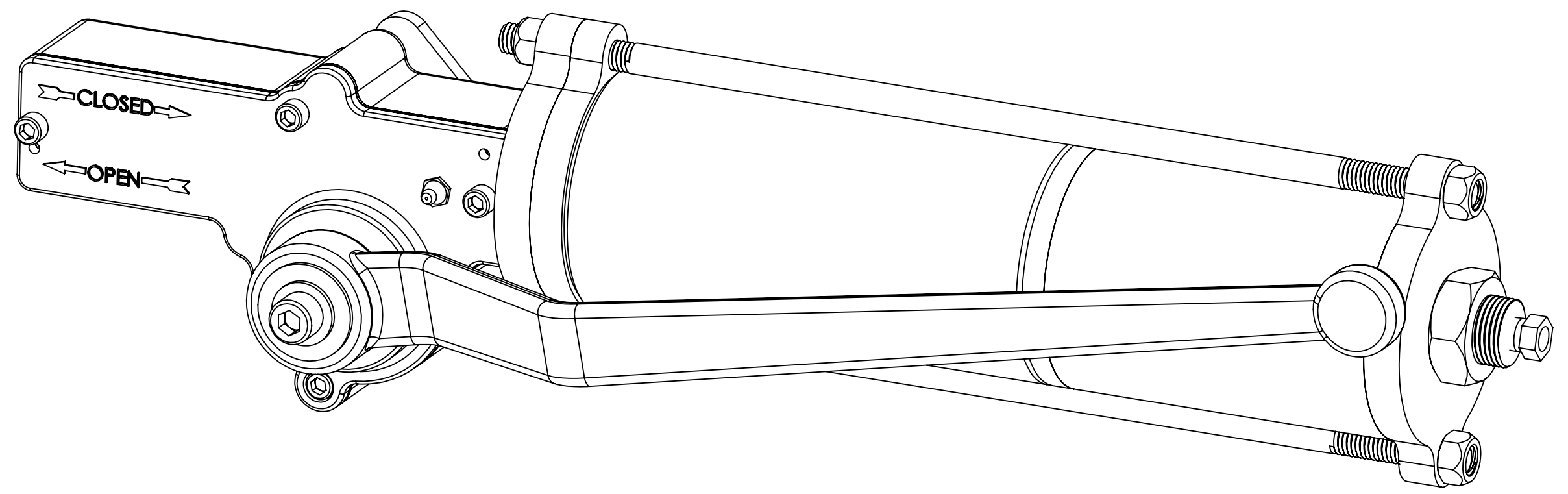
THE POWER PACK IS SOLD AS A WELDED UNIT WHICH INCLUDES 6156, 6158 PUSH ROD ASSY. 6041 AND 6057 AND SPRINGS

PROPRIETARY AND CONFIDENTIAL
 THE INFORMATION CONTAINED IN THIS DRAWING IS THE SOLE PROPERTY OF <INSERT COMPANY NAME HERE>. ANY REPRODUCTION IN PART OR AS A WHOLE WITHOUT THE WRITTEN PERMISSION OF <INSERT COMPANY NAME HERE> IS PROHIBITED.

		UNLESS OTHERWISE SPECIFIED:		NAME		DATE	
		DIMENSIONS ARE IN INCHES		DRAWN		TI	
		TOLERANCES:		CHECKED			
		FRACTIONAL ±		ENG APPR.			
		ANGULAR: MACH ± BEND ±		MFG APPR.			
		TWO PLACE DECIMAL ±		Q.A.			
		THREE PLACE DECIMAL ±		COMMENTS:			
		INTERPRET GEOMETRIC TOLERANCING PER:					
		MATERIAL					
		FINISH					
NEXT ASSY	USED ON						
APPLICATION		DO NOT SCALE DRAWING					
				CLEARFLOW VALVES			
				TITLE: MANUAL ACTUATOR			
SIZE B		DWG. NO. ACT 1000 M		REV			
SCALE: 1:20		WEIGHT:		SHEET 1 OF 2			

8 7 6 5 4 3 2 1

D
C
B
A



PROPRIETARY AND CONFIDENTIAL
 THE INFORMATION CONTAINED IN THIS DRAWING IS THE SOLE PROPERTY OF <INSERT COMPANY NAME HERE>. ANY REPRODUCTION IN PART OR AS A WHOLE WITHOUT THE WRITTEN PERMISSION OF <INSERT COMPANY NAME HERE> IS PROHIBITED.

		UNLESS OTHERWISE SPECIFIED:		NAME	DATE	CLEARFLOW VALVES TITLE: <h1>MANUAL ACTUATOR</h1>			
		DIMENSIONS ARE IN INCHES		DRAWN	TI			09/18/09	
		TOLERANCES:		CHECKED					
		FRACTIONAL ±		ENG APPR.					
		ANGULAR: MACH ± BEND ±		MFG APPR.					
		TWO PLACE DECIMAL ±		Q.A.					
		THREE PLACE DECIMAL ±		COMMENTS:					
		INTERPRET GEOMETRIC TOLERANCING PER:				SIZE	DWG. NO.	REV	
		MATERIAL				B	ACT 1000 M		
NEXT ASSY	USED ON	FINISH				SCALE: 1:20		WEIGHT:	SHEET 2 OF 2
APPLICATION		DO NOT SCALE DRAWING							

8 7 6 5 4 3 2 1