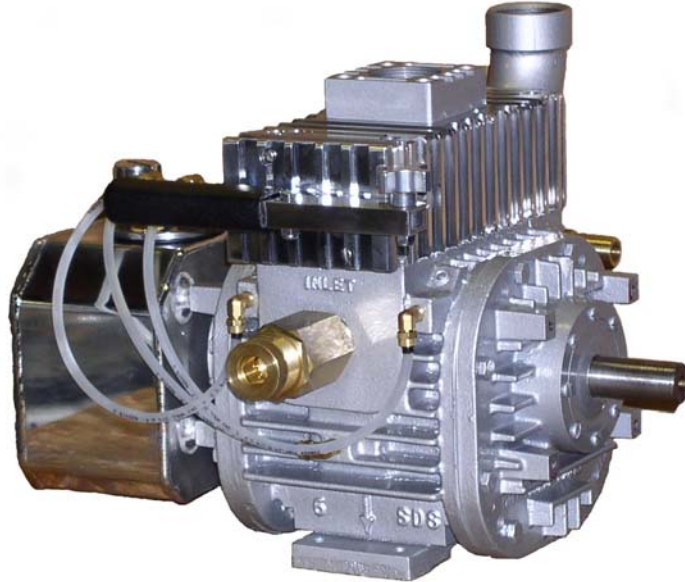




SDS 6 Vacuum Pump

Made in the U.S.A. since 1939



- * Double Shaft Design
Pump can be driven either clockwise or counter clockwise rotation.
- * O Ring Seals
Prevents any oil leakage and eliminates oil mess.
- * Automatic Oiling
Conde Automatic oilers require no adjustment. Simply add oil .
- * Available in Vacuum only or Vacuum/Pressure
Vacuum/pressure models include built-in check valve to hold tank vacuum.
- * Low Profile – Compact Design
Installs neatly where other pumps can't go.
- * Versatile Oiler Design
Oiler can be mounted on either end of pump or remote mounted.
- * Sealed Bearings Require No Maintenance.
- * End Thrust Protection To Prevent End Plate To Rotor Wear.
- * ONE YEAR WARRANTY!

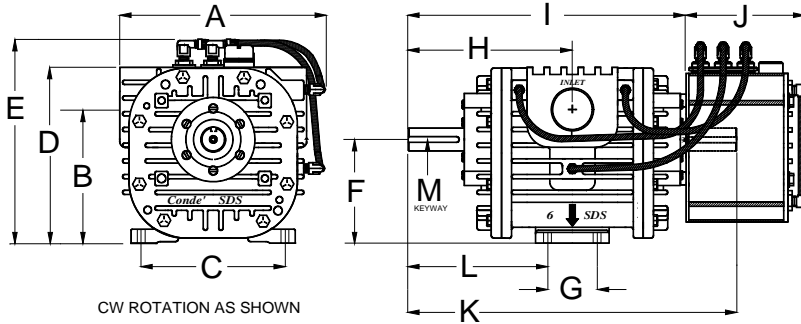
TECHNICAL SPECIFICATIONS

Speed Range - 1200 to 1750 RPM
 Lubrication - Conde Automatic
 Port Size - 1-1/2"
 Weight Vacuum Only - 87 Lbs.

Maximum Vacuum - 27" Hg intermittent
 Maximum Pressure - 20 psig intermittent
 Shaft Diameter - 1.0"
 Weight Vacuum/Pressure - 92 lbs.

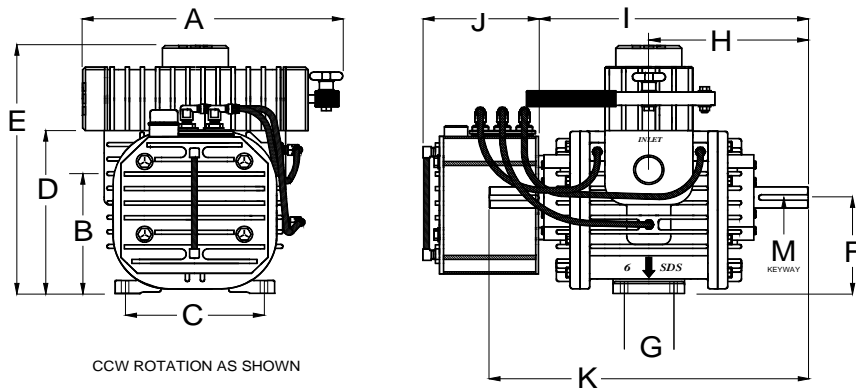
DIMENSIONAL SPECIFICATIONS

Vacuum Only Model



CW ROTATION AS SHOWN

Vacuum Pressure Model



CCW ROTATION AS SHOWN

ALL DIMENSIONS IN INCHES

ITEM	Vac Only	Vac Press
A	8-7/8	11-7/8
B	5-7/8	5-7/8
C	6-1/4	6-1/4
D	7-3/4	7-3/4
E	9-1/4	11-3/4
F	4-9/16	4-9/16
G	2-1/4	2-1/4
H	7-1/2	7-1/2
I	12-1/4	12-1/4
J	5-1/2	5-1/2
K	14-1/2	14-1/2
L	5-7/8	5-7/8
M	1/4 X 1/4 1-7/8	1/4 X 1/4 1-7/8

PERFORMANCE SPECIFICATIONS

Pump RPM	Displacement CFM	SCFM and ACFM @ Vacuum, "Hg				
		5	10	15	18	20

1750	115	SCFM	98	78	55	44	36
1750		ACFM	112	111	110	106	103
1500	99	SCFM	84	67	47	38	31
1500		ACFM	96	95	94	91	88
1200	79	SCFM	67	46	38	30	25
1200		ACFM	77	76	75	73	71

Pump RPM	Free Air	CFM at Pressure (PSIG)				
		2	4	8	12	15
1750	115	114	113	111	109	107

SDS PLATINUM SERIES

The Most Precious Piece of Metal On Your Truck

Conde'Pumps

Westmoor Ltd.

906 West Hamilton Avenue
 P.O. Box 99
 Sherrill, New York 13461

Phone: 800-367-0972, 315-363-1500
 Fax: 315-363-0193
 E-Mail: pumps@westmoorltd.com