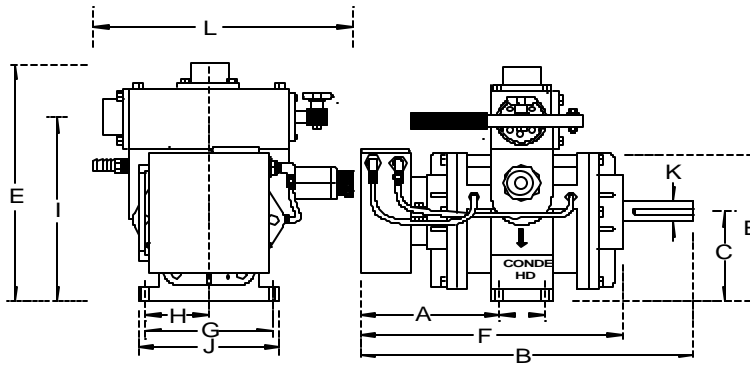


- * **Versatile Shaft Designs**
Clockwise, Counter Clockwise or Double Shaft to fit any installation need.
- * **Automatic Oiling System**
Conde Wick automatic oilers require no adjustment or maintenance. Simply add oil.
- * **Built-In Vacuum and Pressure Relief Valves on Vac/Press model**
Designed to protect and extend the life of the pump.
- * **Built-In Check Valve**
Designed to hold tank vacuum even when the pump is not running.
- * **Low Profile**
Aids installation and makes operation more convenient.
- * **No maintenance Sealed Bearings.**
- * **End Thrust Protection to prevent end plate to rotor wear**
- * **Built-In Flush Valve.**
- * **Available in Vacuum Only, or with unique Slide Valve for Vac/Press use.**

DIMENSIONAL SPECIFICATIONS



	A	B	C	D	E	F	G	H	I	J	K	L
SUPER 6	6-1/4	15-5/8	4-9/16	2-1/4	9-1/8	12-1/4	6-1/4	3-1/8	--	7.0	1.0	8-1/8
SUPER 6 HD	6-1/4	15-5/8	4-9/16	2-1/4	12-1/16	12-1/4	6-1/4	3-1/8	9-3/8	7.0	1.0	13-3/8

TECHNICAL SPECIFICATIONS

* **MAXIMUM AIR FLOW (Vac.)**

70 Cubic Feet per minute @ free air

* **MAXIMUM VACUUM**

27" Hg (.90 bar) intermittent

* **SPEED RANGE**

1100 RPM TO 1750 RPM

* **MAXIMUM PRESSURE**

20 PSI intermittent

(for continuous consult Westmoor, Ltd.)

* **LUBRICATION**

Conde Wick Automatic

* **WEIGHT**

70 lbs. (vacuum only model)

75 lbs. (vacuum/pressure model)

* **PORT SIZE**

1-1/4"

* **SHAFT DIAMETER**

1.0"

PERFORMANCE SPECIFICATIONS

Pump R.P.M.	Free Air C.F.M.	S.C.F.M. @ VACUUM				
		5	10	15	18	20
1200	48	36	32	27	21	15
1500	60	45	39	34	27	18
1750	70	52	46	40	31	21

Pump R.P.M.	Free Air C.F.M.	S.C.F.M. @ PRESSURE				
		2	4	8	12	15
1200	48	47	47	46	45	45
1500	60	59	59	58	57	57
1750	85	69	68	67	67	66

Conde' Pumps

906 West Hamilton Avenue
Sherrill, New York 13461

Phone: 800-367-0972

Fax: 315-363-0193

Visit us on the world wide web at: