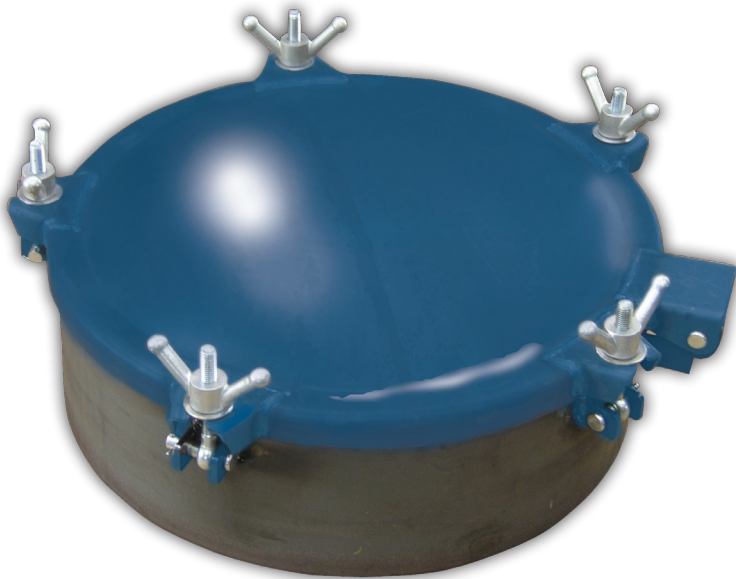
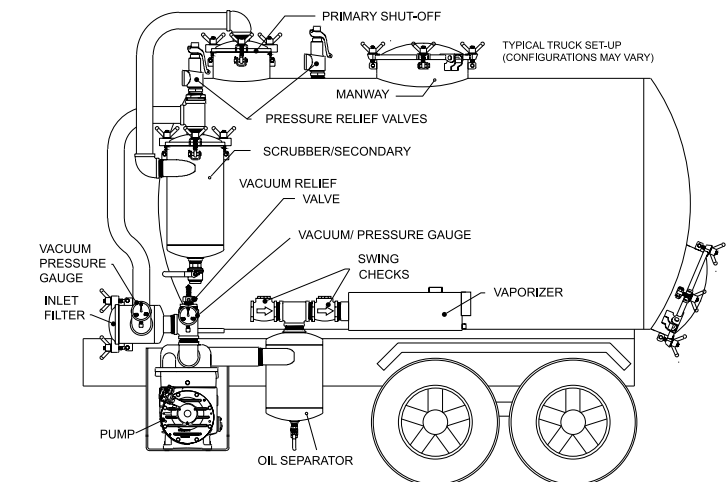


### Masport Manway

Each Masport Manway incorporates a one-piece, low-profile flanged dome lid design to eliminate possible leaks found in two-piece lid designs. The cut-resistant nitrile gasket keeps materials from collecting in the retaining seat. Durable ductile iron wing nuts with captive wear washers have a wide span to easily hand tighten or loosen. A stepped shoulder design on the wing nut provides a positive lock into the lid closure bracket for superior lid-to-weld collar alignment and safety. All weld collars are constructed of 1/4" thick hot rolled steel for extra long life. Each Masport Manway is rated for 15 P.S.I. working pressure and expertly mig welded in close tolerance fixtures for consistent high quality.

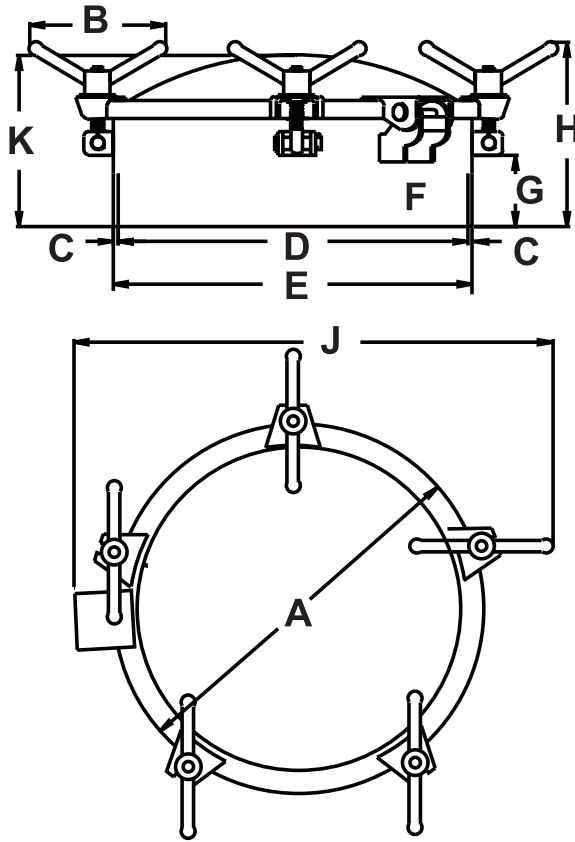


Masport Manway



Typical Truck Set-Up (Configurations May Vary)

**DIMENSIONAL DATA**



# Manway

**Assembly Numbers**

	16202	16202-1	16203	16203-1	16204	16204-1	16205	16205-1
A	20"	20"	26"	26"	22"	22"	36"	36"
B	7 1/2"	7 1/2"	7 1/2"	7 1/2"	7 1/2"	7 1/2"	7 1/2"	7 1/2"
C	1/4"	1/4"	1/4"	1/4"	1/4"	1/4"	1/4"	1/4"
D	18 3/4"	18 3/4"	24 3/4"	24 3/4"	20 3/4"	20 3/4"	34 3/4"	34 3/4"
E	19 1/4"	19 1/4"	25 1/4"	25 1/4"	21 1/4"	21 1/4"	35 1/4"	35 1/4"
F	3 1/2"	9 1/2"	5 7/16"	9 7/16"	3 1/2"	9 1/2"	5 3/16"	9 3/16"
G	3 7/8"	9 7/8"	5 1/4"	9 1/4"	3 7/8"	9 7/8"	5 3/16"	9 3/16"
H	9 5/16"	15 5/16"	11 7/8"	15 7/8"	9 5/16"	15 5/16"	11 5/16"	15 5/16"
J	23 1/2"	23 1/2"	33"	33"	28 11/16"	28 11/16"	40 11/16"	40 11/16"
K	9 1/4"	15 1/4"	12"	16"	9"	15"	13 1/4"	17 1/4"



## Parts List:

### Manway

#### Part Numbers:

- 16202 - 19" x 6"
- 16202-1 - 19" x 12"
- 16203 - 25" x 8"
- 16203-1 - 25" x 12"
- 16204 - 21" x 6"
- 16204-1 - 21" x 12"
- 16205 - 36" x 8"
- 16205-1 - 36" x 12"



## Parts List

Ref	Description
1	Wing Nut
2	Lid
3	Gasket
4	Eye Bolt
5	Hinge Pin (4 1/2")
6	5/8" Washer
7	Cotter Pin
8	Ring Assembly
9	Hinge Pin (2 3/4")

Ref	Description
1	Wing Nut
2	Lid
3	Gasket
4	Eye Bolt
5	Hinge Pin (4 1/2")
6	5/8" Washer
7	Cotter Pin
8	Ring Assembly
9	Hinge Pin (2 3/4")
10	Nut

16202	
Part #	Qty.
32600	4
18420	1
36115	1
32603	4
32601	1
32516	1
32605	5
18400	1
32602	4

16204	
Part #	Qty.
32600	5
18422	1
36116	1
32603	5
32601	1
32516	1
32605	6
18402	1
32602	5
	0

16202-1	
Part #	Qty.
32600	4
18420	1
36115	1
32603	4
32601	1
32516	1
32605	5
18400-1	1
32602	4

16204-1	
Part #	Qty.
32600	5
18422	1
36116	1
32603	5
32601	1
32516	1
32605	6
18402-1	1
32602	5
	0

16203	
Part #	Qty.
32600	5
18421	1
36114	1
32603	5
32601	1
32516	1
32605	6
18401	1
32602	5

16205	
Part #	Qty.
32600	8
18423	1
36119	1
32603	8
32231	2
32516	4
32605	8
18403	1
32602	8
32021	2

16203-1	
Part #	Qty.
32600	5
18421	1
36114	1
32603	5
32601	1
32516	1
32605	6
18401-1	1
32602	5

16205-1	
Part #	Qty.
32600	8
18423	1
36119	1
32603	8
32231	2
32516	4
32605	8
18403-1	1
32602	8
32021	2