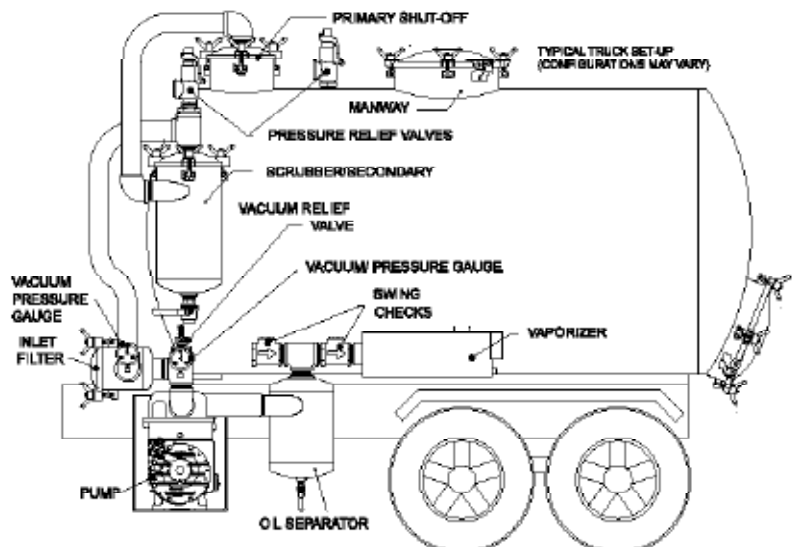




The Masport primary is designed to work with a float-type secondary trap that is available from your local Masport representative or Masport Incorporated. In order to be effective in protecting the pump from contaminate overflow, the primary must be used with a secondary trap between the primary and vacuum pump.

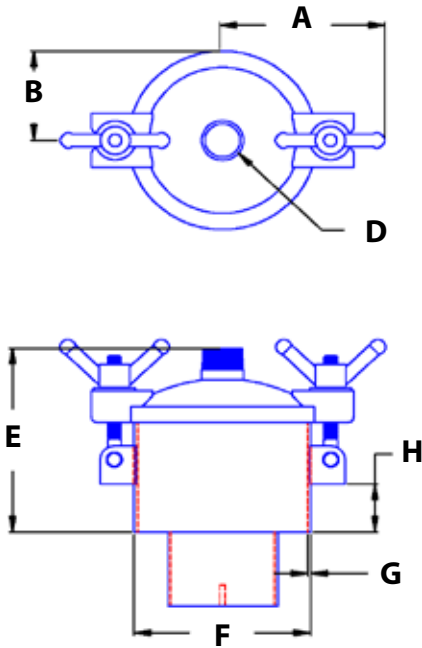
### Masport Low-Profile Primary Shut-Off Trap

The Masport Primary Shut-Off Trap is designed to be the primary shut-off trap on liquid and semi-solid handling systems. The primary shut-off trap provides initial vacuum pump protection against contamination and damage from material carry-over. An independent shut-off float cage assembly makes inspection convenient and fast. Chemical and corrosion resistant viton float seat and stainless steel float ball provide for superior durability. The non-restrictive, full flow shut-off trap is sized to prevent early float ball activation. Our three sizes will match any vacuum pump with an airflow of 20 to 400 C.F.M.

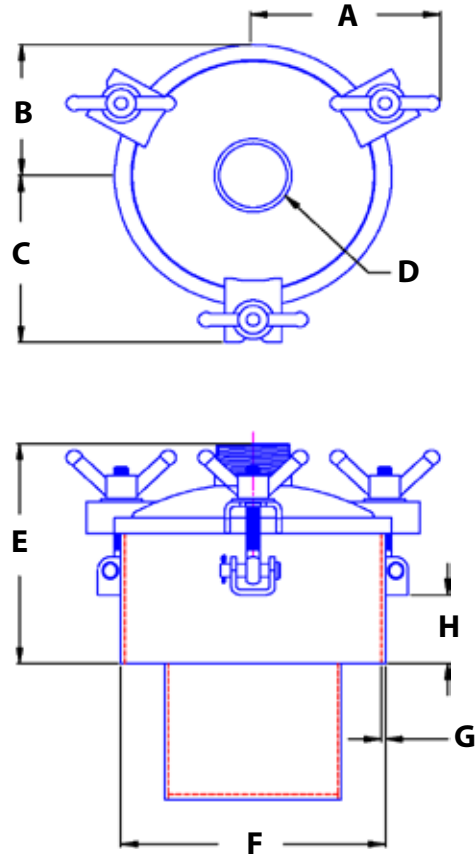


Typical Truck Set-Up (Configurations May Vary)

**DIMENSIONAL DATA**



*Part Number 16310 only*



## Primary Shut-Off Trap

**Assembly Numbers**

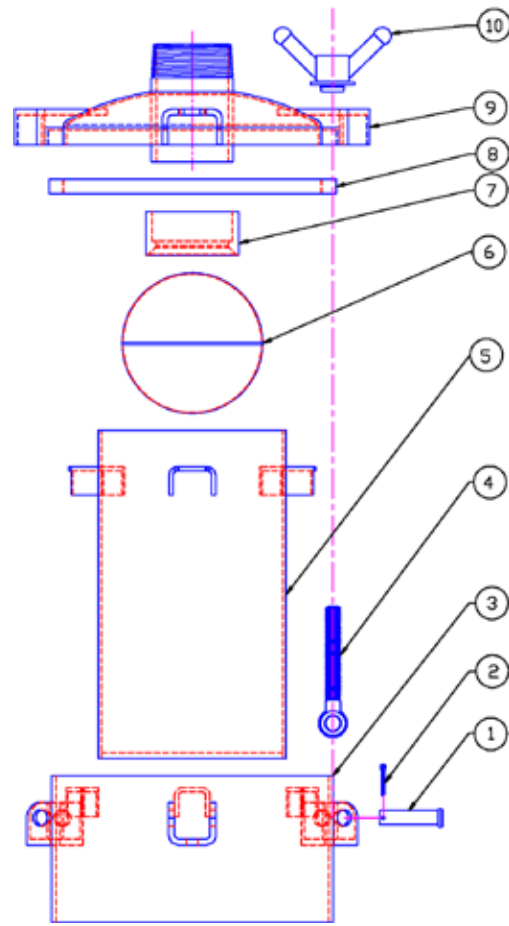
	<b>16310</b> 1 1/2" NPT	<b>16320</b> 2 1/2" NPT	<b>16330</b> 3" NPT	<b>16338</b> 3" NPT PVC Cage	<b>16324</b> 2 1/2" BSP	<b>16334</b> 3" BSP	<b>16339</b> 3" BSP PVC Cage
<b>A</b>	7 3/8"	7 13/16"	8 1/2"	8 1/2"	7 13/16"	8 1/2"	8 1/2"
<b>B</b>	8 9/16"	5 1/4"	6 5/16"	6 5/16"	5 1/4"	6 5/16"	6 5/16"
<b>C</b>		7"	8"	8"	7"	8"	8"
<b>D</b>	1 1/2" NPT	2 1/2" NPT	3" NPT	3" NPT	2 1/2" BSP	3" BSP	3" BSP
<b>E</b>	8 13/16"	9 15/16"	10 9/16"	10 9/16"	9 15/16"	10 9/16"	10 9/16"
<b>F</b>	8"	10"	12"	12"	10"	12"	12"
<b>G</b>	.135"	.135"	.179"	.179"	.135"	.179"	.179"
<b>H</b>	2 5/16"	2 5/16"	3 5/16"	3 5/16"	2 5/16"	3 5/16"	3 5/16"



# Parts List: Primary Shut-Off

## Part Numbers:

16310    16320  
16330    16338  
16324    16334  
16339



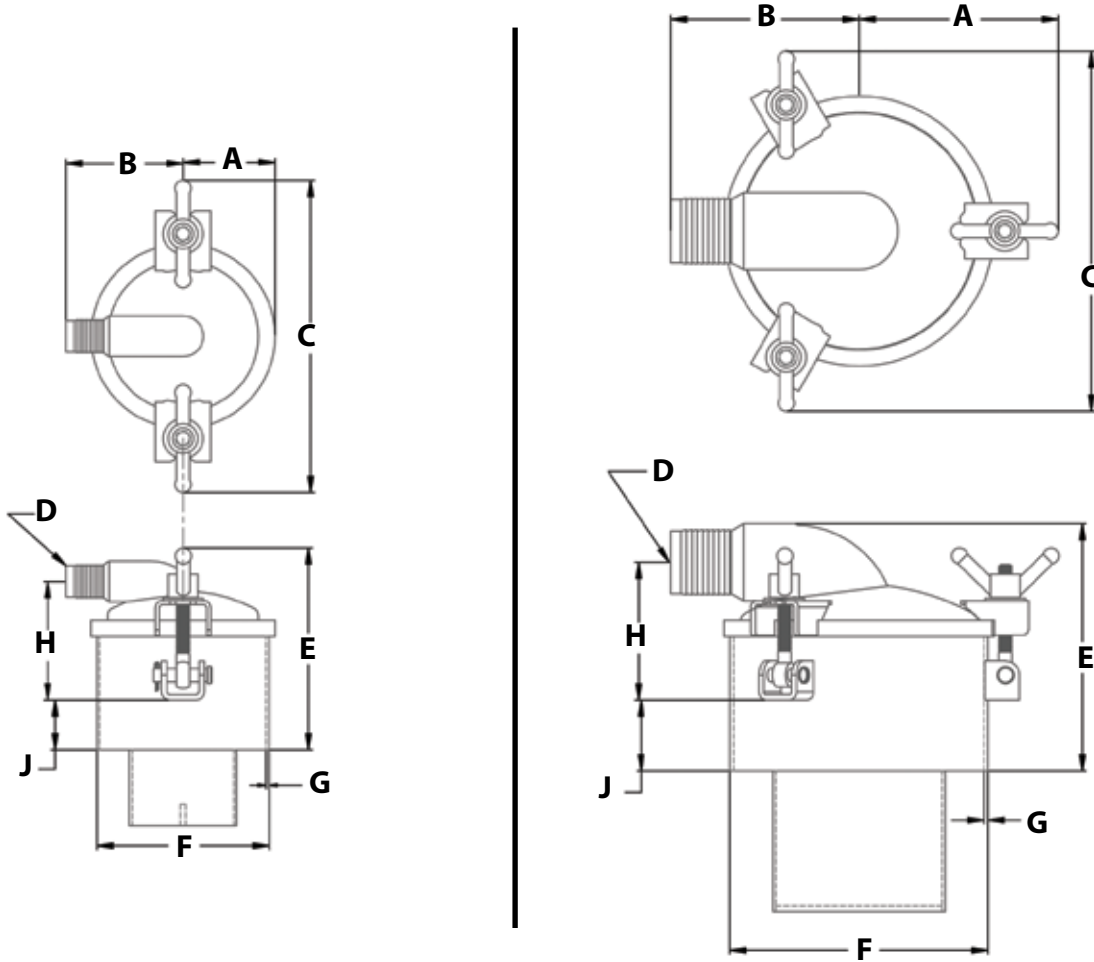
## Parts List

## Primary Shut-Off Trap

Ref	Description
1	Pin Eye Bolt Hinge
2	Pin Cotter
3	Body Primary
4	Bolt Eye
5	Cage Primary
6	Ball Float
7	Seat Float (Viton)
8	Gasket Nitrile
9	Lid Primary
10	Nut Wing

16310 1 1/2" NPT	16320 2 1/2" NPT	16330 3" NPT	16338 3" NPT PVC CAGE	16324 2 1/2" BSP	16334 3" BSP	16339 3" BSP PVC CAGE
32602	32602	32602	32602	32602	32602	32602
32605	32605	32605	32605	32605	32605	32605
18366	18367	18368	18368	18367	18368	18368
32603	32603	32603	32603	32603	32603	32603
28209	28210	28211	28208	28210	28211	28208
28005	28001	28003	28003	28001	28003	28003
36113	36104	36107	36107	36104	36107	36107
36516	36517	36518	36518	36517	36518	36518
18385	18386	18387	18387	18347	18348	18348
32606	32606	32606	32606	32606	32606	32606

**DIMENSIONAL DATA**



# Primary Shut-Off Trap

## Assembly Numbers

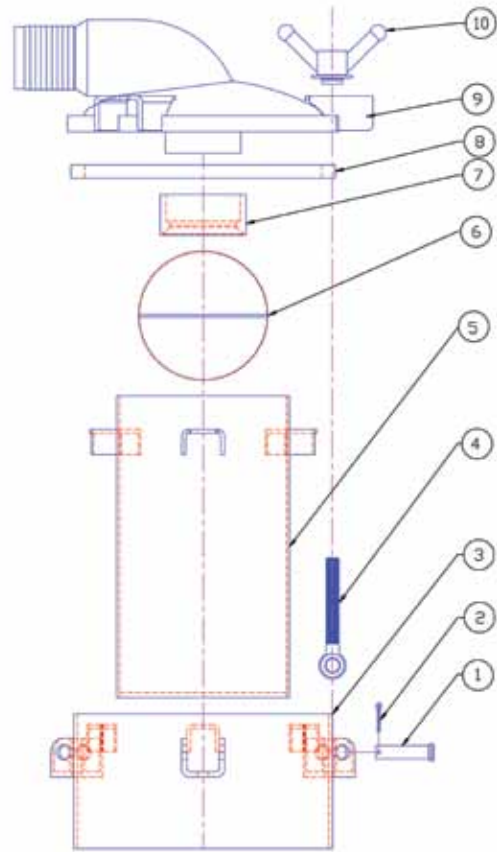
	<b>16311</b> 1 1/2" NPT	<b>16312</b> 1 1/2" NPT	<b>16321</b> 2 1/2" NPT	<b>16325</b> 2 1/2" BSP	<b>16331</b> 3" NPT	<b>16335</b> 3" BSP
<b>A</b>	4 1/2"	4 1/4"	8 3/8"	8 3/8"	9 9/32"	9 9/32"
<b>B</b>	5 7/16"	4 15/16"	7 13/16"	7 7/16"	8 3/4"	7 15/16"
<b>C</b>	14 1/2"	14 1/2"	15 1/4"	15 1/4"	16 23/32"	16 23/32"
<b>D</b>	1 1/2" HOSE INSERT	1 1/2" MALE NPT	2 1/2" HOSE INSERT	2 1/2" MALE BSP	3" HOSE INSERT	3" MALE BSP
<b>E</b>	9 3/8"	9 3/8"	9 3/4"	9 3/4"	11 1/2"	11 7/16"
<b>F</b>	8"	8"	10"	10"	12"	12"
<b>G</b>	.1345"	.1345"	.1345"	.1345"	3/16"	3/16"
<b>H</b>	5 1/2"	5 1/2"	6"	6"	6 3/8"	6 3/8"
<b>J</b>	2 5/16"	2 5/16"	2 3/8"	2 5/16"	3 5/16"	3 5/16"



# Parts List: Primary Shut-Off

## Part Numbers:

16311    16321  
16312    16325  
16331    16335



## Parts List

Ref	Description
1	Pin Eye Bolt Hinge
2	Pin Cotter
3	Body Primary
4	Bolt Eye
5	Cage Primary
6	Ball Float
7	Seat Float (Viton)
8	Gasket Nitrile
9	Lid Primary
10	Nut Wing

## Primary Shut-Off Trap

16311	16312	16321	16325	16331	16335
1 1/2" NPT	1 1/2" NPT	2 1/2" NPT	2 1/2" BSP	3" NPT	3" BSP
32602	32602	32602	32602	32602	32602
32605	32605	32605	32605	32605	32605
18366	18366	18367	18367	18368	18368
32603	32603	32603	32603	32603	32603
28209	28209	28210	28210	28211	28211
28005	28005	28001	28001	28003	28003
36113	36113	36104	36104	36107	36107
36516	36516	36517	36517	36518	36518
18570	18575	18571	18573	18572	18575
32606	32606	32606	32606	32606	32606