



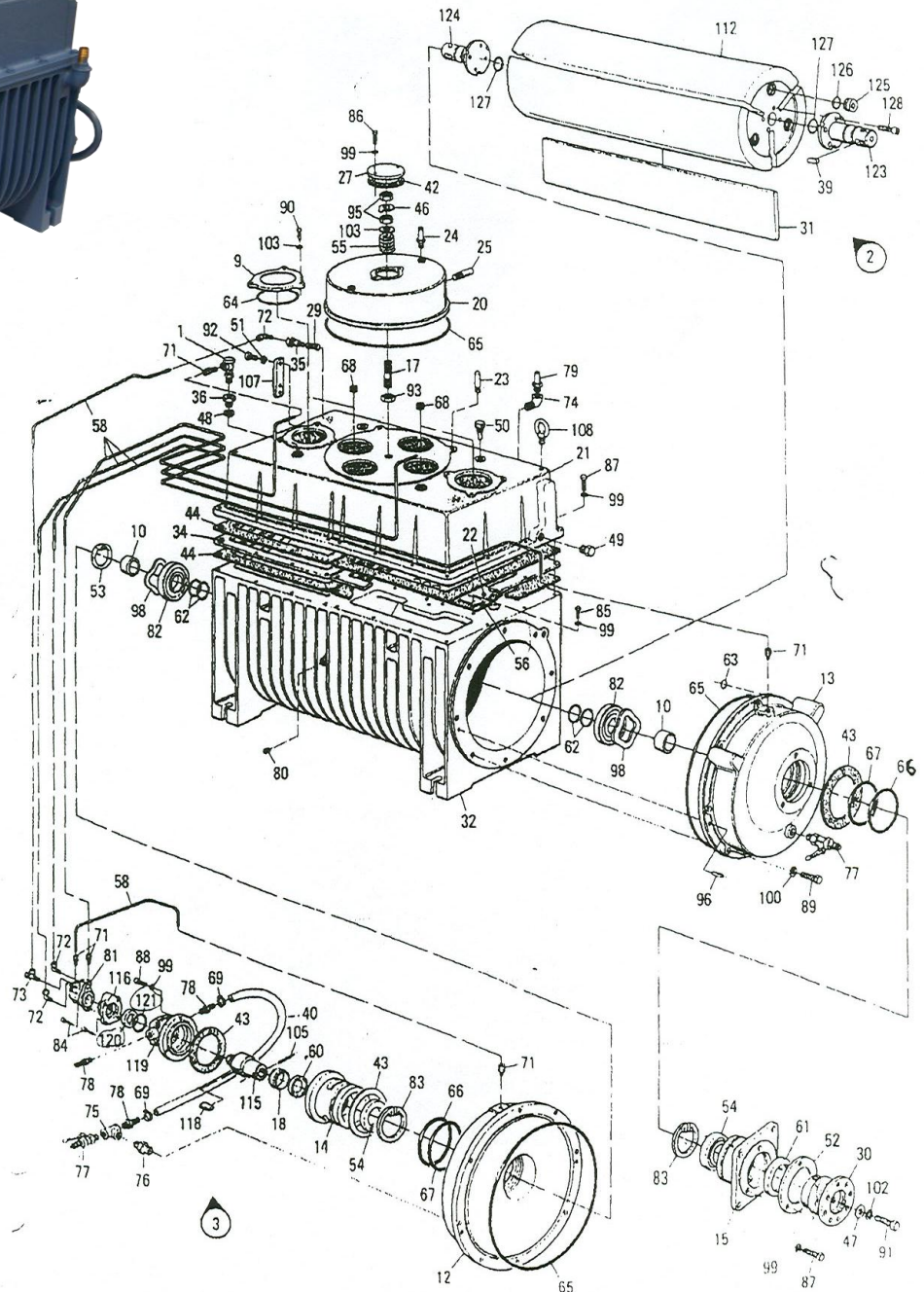
MORO USA, INC.

ST. LOUIS, MO OFFICE
 Po Box 424
 Union, MO 63084
 (866) 383-6304
 Fax: (636) 583-2044

PITTSBURGH, PA OFFICE
 SALES OFFICE
 (800) 383-6304
 (412) 787-8400
 Fax: (412) 787-8444

Email: sales@morousa.com
www.morousa.com

PM200



PM200 VACUUM PUMP

Pos.	Quantity	Part No.	Description
1	2	4533-0001-0	Oil Valve
2	1	4753-0028-0	Rotor
3	1	4812-0041-0	Water Pump
9	2	6100-0620-1	Flange
10	2	6100-0725-0	Bushing
12	1	6104-0153-0	Flange
13	1	6104-0154-0	Flange
13	1	6104-0155-0	Flange
14	1	6104-0151-0	Support
15	1	6104-0152-0	Support
17	1	6210-0009-0	Stud
18		93-0005-023	Bushing
20	1	6264-0006-0	Change-Over Device
21	1	6264-0009-1	Manifold
22	2	6320-0276-0	Stop Plate
23	2	6330-0000-0	Stop Plate
24	1	6330-0001-0	Pin
25	1	6330-0002-0	Pin
27	1	6404-0001-0	Flange
30	1	6560-0003-0	Hub
31	3	6575-0081-0	Vane
32	1	6624-0060-0	Housing
32	1	6624-0061-0	Housing
34	2	6710-0081-0	Plate
35	1	6730-0025-0	Fitting
36	2	6730-0072-0	Reduction
39	1	6750-0001-0	Key
40	1	6765-0000-0	Tube
42	1	6806-0000-0	Cover
43	3	6806-0002-0	Cover
44	4	6806-0008-0	Cover
45	1	6830-0000-0	Washer
46	1	6830-0001-0	Washer
47	2	6833-0001-0	Washer
48	3	6833-0002-0	Washer
49	1	6840-0005-0	Plug
50	2	6845-0000-0	Plug
51	2	6833-0003-0	Washer
52	1	6850-0055-0	Ring
53	1	6850-0056-0	Spring Washer
54	2	92-1027-055	Oil Seal
55	1	6900-0000-0	Spring
56	4	6900-0118-0	Vane
58	1	8227-0009-1	Tube
58	1	8227-0010-1	Tube
60	1	92-1002-000	Oil Seal
61	1	92-1002-001	Oil Seal
62	4	92-1003-500	O-Ring
63	1	92-1003-100	O-Ring
64	2	92-1003-137	O-Ring
65	3	92-1003-236	O-Ring
66	2	92-1003-501	O-Ring
67	2	92-1003-502	O-Ring
		8899-0119-0	Kit of Gaskets PM200

Pos.	Quantity	Part No.	Description
68	4	92-5005-005	Plug
69	2	92-2002-002	Hose Clamp
70	6	92-4063-050	Fitting
71	1	92-4019-000	Fitting
72	2	92-4061-050	Fitting
73	1	92-4032-100	Fitting
74	1	92-5002-003	Elbow
75	1	92-5003-001	Fitting
76	1	92-5004-001	Nipple
77	2	92-5029-0001	Valve
78	3	92-5046-001	Fitting
79	1	92-5046-003	Fitting
80	2	92-5070-000	Plug
81	1	92-7041-001	Oil Pump
81	1	92-7041-000	Oil Pump
82	2	93-1021-002	Ball Bearing
83	2	96-3003-040	Ring
84	2	96-1073-003	Screw
85	8	96-1013-001	Screw
86	2	96-1013-002	Screw
87	31	96-1013-003	Screw
88	3	96-1013-004	Screw
89	16	96-1021-001	Screw
90	2	96-1021-000	Screw
91	1	96-1050-000	Screw
92	6	96-1024-002	Screw
93	1	96-2008-000	Nut
95	2	96-1087-000	Set Screw
96	4	96-3004-000	Pin
98	2	96-3005-000	Ring
99	44	96-4001-002	Spring Washer
100	16	96-4001-003	Spring Washer
101	6	96-4001-004	Spring Washer
102	1	96-4001-007	Spring Washer
103	1	96-4007-006	Washer
105	1	96-4018-009	Split Pin
107	1	96-5038-102	Oil Level Gauge
108	2	96-5041-003	Eye Nut
109	2	6833-0007-0	Washer
115	1	4733-0002-0	Rotor
116	1	6104-0018-0	Support
117	1	93-0005-023	Ring
118	1	6575-0050-0	Vane
119	1	6624-0054-0	Housing
120	1	92-1000-001	Ring
121	1	92-1003-062	O-Ring
122	1	5534-0094-0	Rotor
123	1	6110-0115-0	Hub
124	1	6110-0116-0	Hub
125	6	6844-0001-0	Plug
126	6	92-1003-503	O-Ring
127	2	92-1003-504	O-Ring
128	12	96-1077-005	Screw

