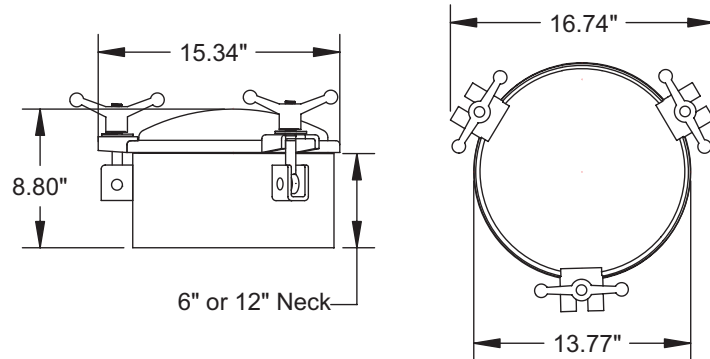


Hatches & Manways

8" - 12" Hatch

Part #	Description
1014-0120	8" Hatch With 6" Neck - 1/4" Base - 2" Wingnut (Gasket in Lid)
1010-0050	12" Hatch With 6" Steel Neck - 1/4" Base (Gasket in Lid)
1010-0054	12" Hatch With 12" Steel Neck - 1/4" Base (Gasket in Lid)
1010-0056	12" Stainless Hatch With 6" Stainless Steel Neck, 304 - 1/4" Base (Gasket in Lid)
1010-0057	12" Stainless Hatch With 12" Stainless Steel Neck, 304 - 1/4" Base (Gasket in Lid)
1010-0058	12" Stainless Hatch With 6" Aluminum Neck, 6061 - 1/4" Base (Gasket in Lid)



17" Manway

Part #	Description
1010-0060	17" Manway With 6" Neck, 4 Wing Nut Lid - 1/4" Base (Gasket in Lid)
1010-0064	17" Manway With 12" Neck, 4 Wing Nut Lid - 1/4" Base (Gasket in Lid)

