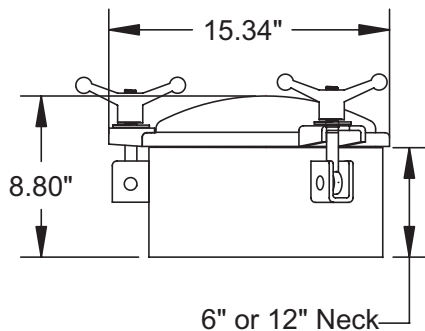
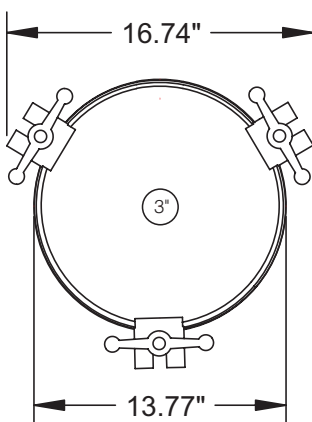


8" - 12" Primary Shutoff

Part #	Description	L x W x H
1014-0115	8" Primary With 6" Neck & 3" Opening, (235 CFM)	-
1014-0000	12" Primary With 6" Neck & 3" Opening, (385 CFM)	18 x 18 x 17
1014-0012	12" Primary With 6" Neck & 4" Opening, (450 CFM)	18 x 18 x 17
1014-0015	12" Primary With 6" Neck & 6" Threaded Opening	18 x 18 x 17



12" Low Profile Primary

This item can also be special ordered with a 12" neck. Please call for details.

Part #	Description
1014-0900	12" Low Profile Primary Shutoff With 6" Neck Equipped With 3" Pipe With Opening, (385 CFM)
1014-0901	12" Low Profile Primary Shutoff With 6" Neck Equipped With 3" NPT Threads, (385 CFM)
1014-0901 HS	12" Low Profile Primary Shutoff With 6" Neck Equipped With 3" Hose Shank, (385 CFM)
1014-0910	12" Low Profile Primary Shutoff With 6" Neck Equipped With 4" Pipe With Opening, (450 CFM)
1014-0911	12" Low Profile Primary Shutoff With 6" Neck Equipped With 4" NPT Threads, (450 CFM)
1014-0914	12" Low Profile Primary Shutoff With 6" Neck Equipped With 4" Pipe & Opening (Includes 10" Ball Cage & 8" Stainless Steel Ball)

