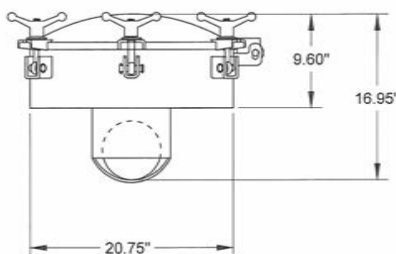
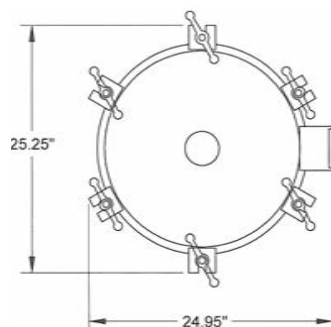


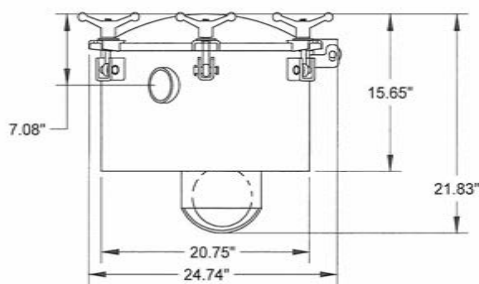
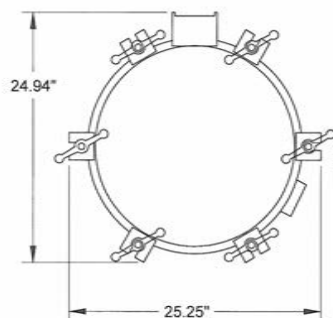
20" Primary Shutoff, 6" Neck

Part #	Description	W x H
1010-0026-DP	20" Primary Shutoff With 6" Neck-3" Opening, (470 CFM)	27 X 17
1010-0018-DP	20" Primary Shutoff With 6" Neck-4" Opening, (595 CFM)	27 X 17



20" Primary Shutoff, 12" Neck

Part #	Description	W x H
1010-7403	20" Primary With 12" Neck & 1/4" Base With 3" Side Opening Gasket In The Lid Design, (470 CFM)	26.5 x 16
1010-7404	20" Primary With 12" Neck & 1/4" Base With 4" Side Opening Gasket In The Lid Design, (595 CFM)	26.5 x 16



Vacuum & Pressure Gauges

Part #	Description
1025-0001	4.5" Standard Vacuum Pressure Gauge, (PSI -30 to +30)
1026-0000	2 1/2" Liquid Filled Vacuum Pressure Gauge, (PSI -30 to +30)
1027-0000	4" Liquid Filled Vacuum Pressure Gauge, (PSI -30 to +30)
1026-0100	2 1/2" Back-Mount Liquid Filled Vacuum Pressure Gauge, (PSI -30 to +30)

