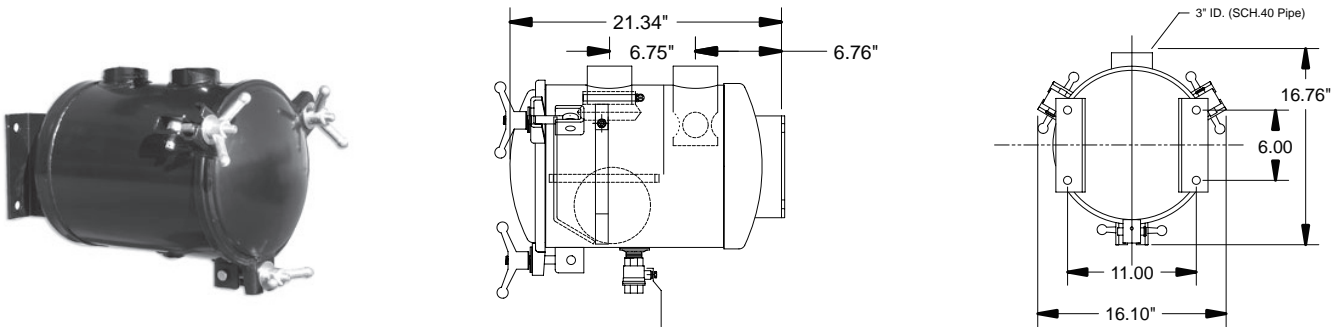


Secondary Shutoffs

10 Gallon Horizontal Secondary Shutoff

Part #	Description	L x W x H
1008-0102	10 Gallon Horizontal Secondary, 3" Opening , (375 CFM)	22.2 x 16 x 16



14 Gallon Horizontal Secondary Shutoff

Part #	Description	L x W x H
1008-0063	14 Gallon Horizontal Secondary Without Sight Eye, 3", (595 CFM)	25 x 17 x 20
1008-0062	14 Gallon Horizontal Secondary Without Sight Eye, 4", (595 CFM)	25 x 17 x 20

