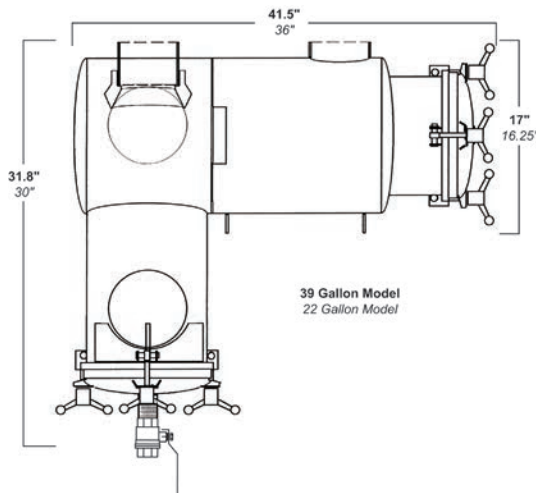


22 & 39 Gallon Secondary Shutoffs

Part #	Description	L x W x H
1008-0022	22 Gallon Secondary Shutoff With 4" Opening, (850 CFM)	41.5 x 18 x 30
1008-0030	39 Gallon Secondary Shutoff With 6" Opening, (1350 CFM)	45.5 x 18 x 38.75



Final Filter Horizontal Secondary Combo

Part #	Description	L x W x H
1008-0105	10 Gallon Horizontal Secondary, 2" Final Filter, (250 CFM), 2" NPT	21 x 16 x 26.5
1008-0106	10 Gallon Horizontal Secondary, 3" Final Filter, (375 CFM), 3" NPT	21 x 16 x 26.5
1008-0109	Mounting Bracket (Weld On Bracket Used To Attach 1008-0105 And 1008-0106 To Pump Stand)	13.5 x 11 x 2

