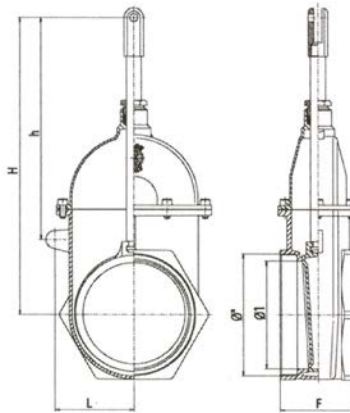


 **MZ Brass Piston Valves**



NPT x NPT

Part #	Description
1045-1000 MZ	4" Piston Valve - NPT x NPT
1045-1010 MZ	4" Piston Valve - NPT x NPT, With Air Cylinder
1045-1011 MZ	4" Piston Valve - NPT x NPT, With Double Acting Hydraulic Cylinder
1046-1000 MZ	6" Piston Valve - NPT
1046-1010 MZ	6" Piston Valve With Air Cylinder
1046-1011 MZ	6" Piston Valve With Double Acting Hydraulic Cylinder



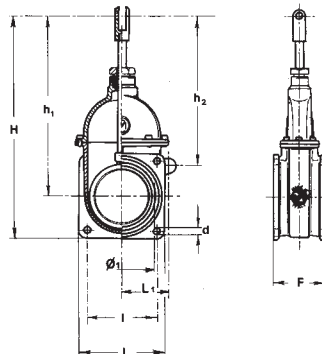
DIMENSIONS

Ø"	4"	6"
Ø1	3.75"	5.71"
L	3.5"	4"
H	11.7"	15.5"
h	8.75"	11.26"
F	4"	4.16"



4 Bolt Flange

Part #	Description
2003-0000 MZ	4" 4-Bolt Flange Piston Valve
2003-0010 MZ	4" 4-Bolt Flange Valve With Air Cylinder
2003-0011 MZ	4" 4-Bolt Flange Piston Valve With Double Acting Hydraulic Cylinder
2002-0000 MZ	6" 4-Bolt Flange Piston Valve
2002-0010 MZ	6" 4-Bolt Flange Valve With Air Cylinder
2002-0011 MZ	6" 4-Bolt Flange Valve With Single Acting Hydraulic Cylinder
2002-0013 MZ	6" 4-Bolt Flange Valve With Double Acting Hydraulic Cylinder
2008-0000 MZ	8" 4-Bolt Flange Piston Valve
2008-1000 MZ	8" 4-Bolt Flange Piston Valve With Air Cylinder
2008-1001 MZ	8" 4-Bolt Flange Piston Valve With Hyd Dbl Acting Cyl
2005-0000	4-Bolt Flange Plate With 4" Hole
2006-0000	4-Bolt Flange Plate With 6" Hole



DIMENSIONS

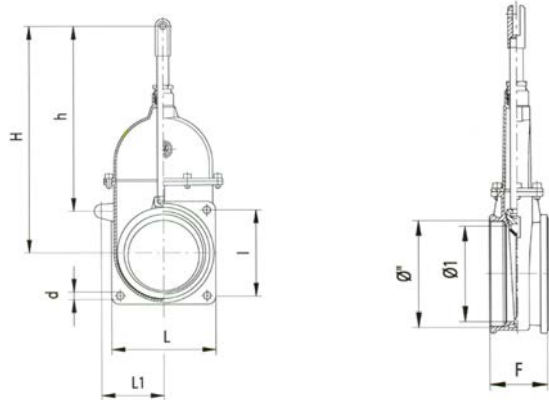
Ø"	4"	6"	8"
Ø1	3.7"	4.7"	7.5"
H	15"	17.1"	23"
h1	11.4"	13.6"	18.5"
h2	9.3"	11.4"	14.2"
L	7.1"	7.1"	9"
L1	3.8"	3.9"	5.4"
F	3.5"	3.5"	4.4"
d	.51"	.51"	.51"
I	5.9"	5.9"	7.1"

4 Bolt Flange x NPT

Part #	Description
2003-1060 MZ	4" Piston Valve, 4-Bolt Flange x Female NPT
2003-1061 MZ	4" Piston Valve, 4-Bolt Flange x Female NPT With Air Cylinder
2003-1062 MZ	4" Piston Valve, 4-Bolt Flange x Female NPT With Double Acting Hydraulic Cylinder
2002-1060 MZ	6" Piston Valve, 4-Bolt Flange x Female NPT
2002-1061 MZ	6" Piston Valve, 4-Bolt Flange x Female NPT With Air Cylinder
2002-1062 MZ	6" Piston Valve, 4-Bolt Flange x Female NPT With Double Acting Hydraulic Cylinder
2005-0000	4-Bolt Flange Plate With 4" Hole
2006-0000	4-Bolt Flange Plate With 6" Hole

DIMENSIONS

Ø"	4"	6"
Ø1	3.75"	5.7"
h	9.1"	12.9"
H	11.4"	15.7"
L	7.0"	7.0"
L1	3"	4.25"
d	0.51"	0.51"
l	6"	6"
F	3.1"	3.5"
PSI	60	35



4 Bolt Flange Stainless Steel Disc

Part #	Description
2104-0000 MZ	4" 4 Bolt Flange Valve With Stainless Steel Disc
2104-1000 MZ	4" 4 Bolt Flange Valve With Stainless Steel Disc With Air Cylinder
2104-1001 MZ	4" 4 Bolt Flange Valve With Stainless Steel Disc With Double Acting Hydraulic Cylinder
2106-0000 MZ	6" 4 Bolt Flange Valve With Stainless Steel Disc
2106-1000 MZ	6" 4 Bolt Flange Valve With Stainless Steel Disc With Air Cylinder
2106-1001 MZ	6" 4 Bolt Flange Valve With Stainless Steel Disc With Double Acting Hydraulic Cylinder
2108-0000 MZ	8" 4 Bolt Flange Valve With Stainless Steel Disc
2108-1000 MZ	8" Flanged Knife Gate With Double Acting Air Cylinder
2108-1001 MZ	8" Flanged Knife Gate With Double Acting Hydraulic Cylinder
2104-1050	4-Bolt Flange Plate With 4" Hole
2106-1050	4-Bolt Flange Plate With 6" Hole

DIMENSIONS

Ø"	4"	6"
A	3.5"	4.5"
B	1.8"	2.4"
C	3.2"	4.2"
D	3.7"	5.7"
d	0.0"	0.0"
F	0.4"	0.4"
H	11.7"	17.3"
h	9.8"	14.9"
l	4.7"	5.9"
L	2.7"	2.7"

