

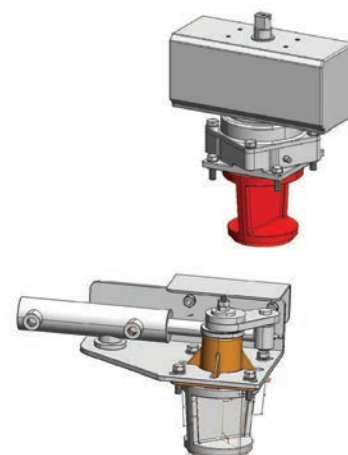
## Jurop Pump Mounting Stand

Part #	Description
1004-0011	Pump Mounting Stand - Jurop PN23, PN33
1004-0005	Pump Mounting Stand - Jurop PN58, PN84, PN106, R260, PR150
1004-0006	Pump Mounting Stand - Jurop LC300, LC420, PNR155
1004-0016	Pump Mounting Stand - Jurop PNR72, PNR82, PNR102, PNR122
1004-0014	Pump Mounting Stand - Jurop PR620, PNR142
1004-0150	Pump Mounting Stand - Jurop PR150
1004-0009	Pump Mounting Stand - Jurop RV360



## Jurop Actuators

Part #	Description
143027YZB0	PN & R Series Pneumatic Actuator
1430280PB0	PNR102/122 Pneumatic Actuator
143028B7B0	RV360 Pneumatic Actuator
143028GZB0	LC420 & RV520 Pneumatic Actuator
1430280JB0	PN & R Series Hydraulic Actuator
143027TEB0	PNR 102/122 Hydraulic Actuator
143029K2B0	RV360 Hydraulic Actuator
143029KRB0	LC420 & RV520 Hydraulic Actuator



## Jurop Final Filters

Part #	Description
<b>FINAL FILTERS</b>	
185212L4B0	4-Bolt Suction Group (JUROP Final Filter & Mounting Flange)
18521002E0	4-Bolt Suction Group for RVC360 (Jurop Final Filter & Mounting Flange)
185219N7B0	2-Bolt Suction Group (JUROP Final Filter & Mounting Flange)
1445003200	Jurop Final Filter For PVT200, DL200, PR200, PR250 (Filter Only)
<b>FINAL FILTER PARTS</b>	
1545002900	Jurop Final Filter Stainless Steel Element For R, RV, LC Series & PR150, DL100, DL140
1545002700	Jurop Final Filter Stainless Steel Element For PVT 200/DI200/PR200/PR250
1627104400	4-Bolt Final Filter Manifold Flange
1627104500	2-Bolt Final Filter Manifold Flange
1021-0026	Final Filter O-Ring, Large
1021-0024	Final Filter O-Ring, Small