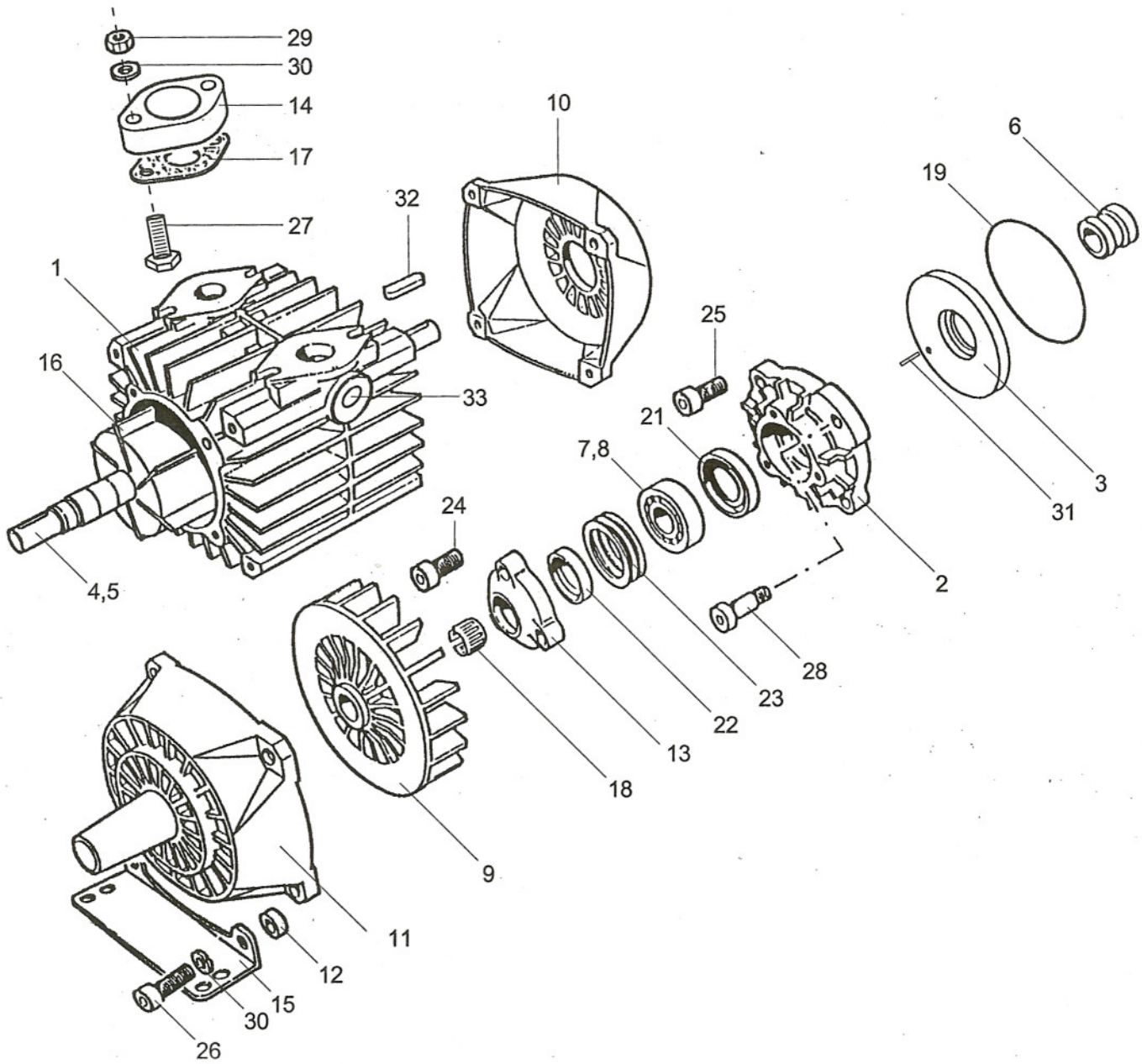


# PARTS LIST



## PARTS LIST (Cont.)

ITEM	DESCRIPTION	PART NO.	QTY.
1	BODY, COMPRESSOR	500000200	1
2	SIDEPLATE - J102-M ("recon" aluminum)	501005403	2
2	SIDEPLATE - J102-SA, SS (stainless)	501006200	2
3★	WEAR DISC with LAB. SEAL	516064200	2
4	ROTOR-SHAFT ASSY. (aluminum) Includes: item 5, 6, 7	600000201	1
4	ROTOR-SHAFT ASSY. (stainless) Includes: item 5a, 6, 7	600000202	1
5	ROTOR-SHAFT (aluminum)	503023201	1
5a	ROTOR-SHAFT (stainless)	503033200	1
6	SPACER SLEEVE	516001201	2
7★	BEARING KIT (inner, outer & shims)	510003204	2
8★	SHIM, BEARING	516072224	2
9	FAN	506021206	2
10	COWL D.E. (red plastic)	505010201	1
11	COWL N.D.E. (red plastic)	505020201	1
12	SPACER, ALUMINUM COWL	516023201	8
12	SPACER, PLASTIC COWL	516020202	8
13	BEARING CAP - J102-M (aluminum)	521001207	2
13	BEARING CAP - J102-SA, SS (stainless)	521003200	2
14	PORT FLANGE, 1½"nptF	508030207	2
15	BRACKET, MOUNTING FEET	507003202	2
16★△	BLADE	511000201	6
17★△	GASKET, FLANGE	526073200	2
18★△	STAR TOLERANCE RING	196028215	2
19★△	O-RING, SIDEPLATE	522010202	2
21★	SEAL, SINGLE LIP (silicon)	512030202	2
22★	SEAL, SINGLE LIP (buna)	512010209	2
23★	SHIM PACK - J102-M Consisting of:	516070212	1
	SHIM PLASTIC 0.002"	516070201	2
	SHIM PLASTIC 0.003"	516070203	2
	SHIM PLASTIC 0.005"	516070207	2
	SHIM PLASTIC 0.010"	516070217	2
23★	SHIM PACK - J102-SA, SS Consisting of:	516070255	1
	SHIM PLASTIC 0.002"	516070251	2
	SHIM PLASTIC 0.003"	516070252	2
	SHIM PLASTIC 0.005"	516070253	2
	SHIM PLASTIC 0.010"	516070254	2
24	CAPSCREW SKT HD - M8 X 20mm stainless	126108220	8
25	CAPSCREW SKT HD - M10 X 25mm stainless	128110225	6
26	CAPSCREW SKT HD - M10 X 50mm stainless	128010250	4
27	CAPSCREW HEX HD - M10 X 30mm stainless	128010235	4
28	CAPSCREW, SHOULDER PIN	174210040	2
29	NUT HEX - M10 stainless	188010200	4
30	LOCKWASHER - M10 stainless	194010210	12
31	DOWEL PIN - 6mm X 16mm stainless	174206216	2
32	KEY, SHAFT - 8mm X 7mm X 40mm	199050200	1
33	PLUG - M35 X 1.5	302127203	1
O★	GREASE, HIGH TEMP. AEROSHELL #5 (14.1 oz.)	520010203	1
O	TOOL - OIL SEAL LARGE	530051205	1
O	TOOL - OIL SEAL SMALL	530051202	1
O	TOOL - INNER SLEEVE & BEARING	530051203	1
O	TOOL - AIR SEAL	530051204	1
△	BLADE KIT - J100/102	710000202	1
★	SERVICE KIT - J102-M	710001204	1
★	SERVICE KIT - J102-SA, SS	710001205	1