

KPS

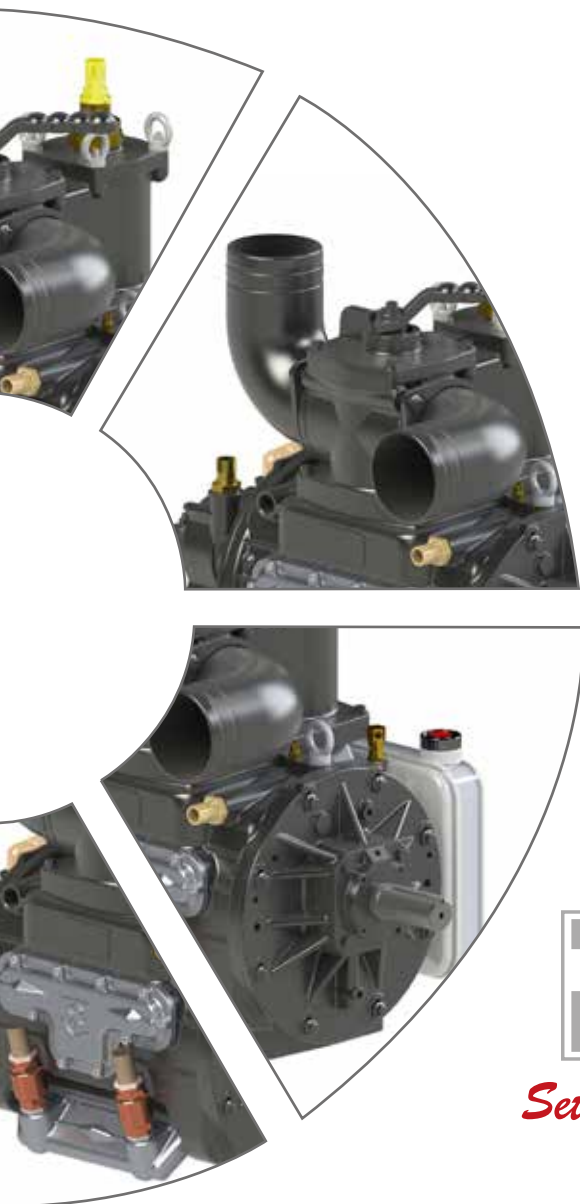
490 - 550 - 670

Technical catalogue
Catalogo tecnico
Technischer Katalog



Battioni®
Pagani

Setting the pace since 1953





Depression valve on request
Valvola di regolazione vuoto a richiesta
Unterdruckventil auf anfrage

Selector vacuum - pressure
Selettore Vuoto - Pressione
Wähler von Vakuum/Druck

Automatic lubrication pump as standard
Pompa di lubrificazione automatica di serie
Automatische Schmierung als Serie



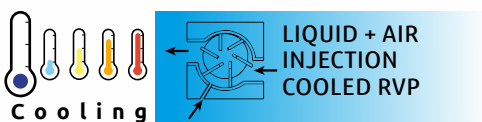
Integrated cooling pump as standard
Pompa di raffreddamento integrato di serie
Integrierte Kühlpumpe

Painting RAL 7021, resistant to 240 hours corrosion protection – salt- and fog/haze tested
Verniciatura RAL 7021, resistente a 240 ore di esposizione in nebbia salina
Lackierung RAL 7021, beständig gegen 240 Stunden Salz- und Nebeltest

High wearing resistance thanks to cast-iron with high hardness
Elevata resistenza ad usura grazie a ghisa ad alta durezza
Hohe Festigkeit zu Abnutzung für Gußeisen mit hohe Härte

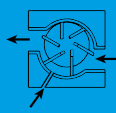
Air injection cooling on request
Iniezione aria di raffreddamento a richiesta
Injektion der Luftkühlung auf anfrage

Long Life Blades as standard
Palette Long Life di serie
Long Life Schaufeln als serie



NEW

KPS
490 - 550 - 670



Integrated Final air filter, effective in both vacuum and pressure use

Filtro aria finale integrato, efficace sia in vuoto che in pressione
Integriert Endluftfilter, wirksam in Vakuum und auch in Druck

Watercooling in the body

Raffreddamento ad acqua su corpo
Wasserkühlung im Körper

External Side oil tank as standard

Serbatoio olio laterale di serie
Externe Seitenöltank als Serie

Blades inspection hole

Foro ispezione palette
Bohrung für Lamellen Prüfung



Rotor with steel pins fixed on it to help maintenance operations (KPS 550 - 670)

Rotore con perni in acciaio riportati per facilitare interventi di manutenzione (KPS 550 - 670)

Rotor mit stahl Stifte eingebaut auf Rotor für leichte Unterhaltung (KPS 550 - 670)

CPS - CRASH PROTECTION SYSTEM

Sliding Flanges to avoid breakages of the body and rotor during vanes crashes

Flange con asole di scorrimento in caso di ingresso materiale o rottura palette

Flansche mit Slotsblättern falls Materialschmierung oder Palettenbruch

VERSIONS



KPS - M/MA



KPS - P



KPS - D

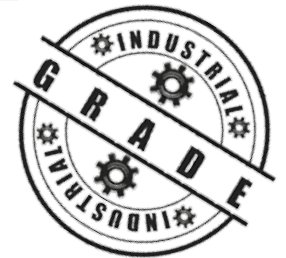


KPS - H



KPS - K/KA

Liquid + Air
Injection cooled RVP



Water-cooling and air injection cooling



The picture is only for informative purpose.
See the table on page 89 for the complete list of the available options.

KPS

The KPS pump series features liquid cooled housing enabling continuous operation in vacuum and in pressure modes.
The KPS pump series is for applications where long time continuous non-stop operation is required (i.e. oil fields, combined vacuum trucks, industrial applications).
The KPS series is the ideal choice for professional users and contractors.



STANDARD FEATURES

- Automatic lubrication (2,3 or 4 points), cooling pump, 4-ways valve, Poppet Check valve, Side outlets with revolving elbows, Long Life Blades, Crash protection System.
- Available hoses connections: Ø 76 mm (3") / Ø 80 mm / Ø 100 mm (4") / Ø 120 mm

VERSIONS



Version M-MA
Splined shaft
1"3/8 - Z6 ISO 500



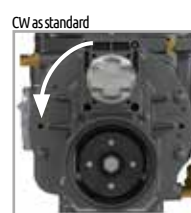
Version P
Smooth Cylindrical shaft,
Ø 32, lenght 63 mm
Parallel key UNI 6604
KPS 490
Smooth Cylindrical shaft,
Ø 40, lenght 90 mm
Parallel key UNI 6604
KPS 550 - 670



Version D
Splined shaft
1"3/8 - Z6 ISO 500



Version H
Group 4
86,56 cc/rev - Pmax 280 bar
- In G 1"1/4 - Out G 1" 1/2



Version K / KA
Splined shaft
1"3/8 - Z6 ISO 500
Support Gr. 2 or Gr. 3
Hydraulic pump on request
KPS 550 - 670

TECHNICAL DATA

	Geometrical capacity			Max rpm			Max abs pressure Bar/PSI	Max vacuum % (inHg)	Max continuous vacuum % (inHg)	Power at max vacuum kW (HP)	Weight kg				
	m³/h	l/min	cfm	M-K	MA-KA	P/D/H					M-MA	P	D	H	K-KA
KPS 490	811	13520	477	600	1000	1400	2.5 (36)	95% (28,5")	95% (28,5")	25 (33,5)	221	205	205	242	-
KPS 550	916	15270	539	600	1000	1400	2.5 (36)	95% (28,5")	95% (28,5")	33 (44,2)	236	216	216	253	226
KPS 670	1117	18620	657	600	1000	1400	2.5 (36)	95% (28,5")	95% (28,5")	45 (60,3)	265	245	245	282	255

OPTIONALS



Hydraulic Changeover
Code 6080200315



Hydraulic Revolving Changeover
Code 5090000108



Pneumatic Revolving Changeover
Cod. 6080200306



Pneumatic Revolving Changeover - 3 Positions
Code 6080200307



Battioni Pagani Vacuum Pump Oil 5 lt.
Code 5070200100



Battioni Pagani Flushing Fluid 5 lt.
Code 5070200102



Flushing Kit
Code 6080200325



Kit Overpressure 2"
Code 6080200389



Air injection cooling kit



Customized Painting



ACCESSORIES



**Vacuum Relief Valve
1"1/2**
Code 5100200012
Setting range:
-0,3 bar / -0,8 bar
Working temperature:
-20°C / +90°C
Thread: 1"1/2
Weight: 0,65 kg



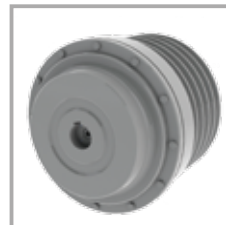
**Overpressure Safety
Valve - 2"**
Code 5100200011
Setting range:
+0,3 bar / +1,5 bar
Working temperature:
-20°C / +90°C
Thread: 2"
Weight: 1,2 kg



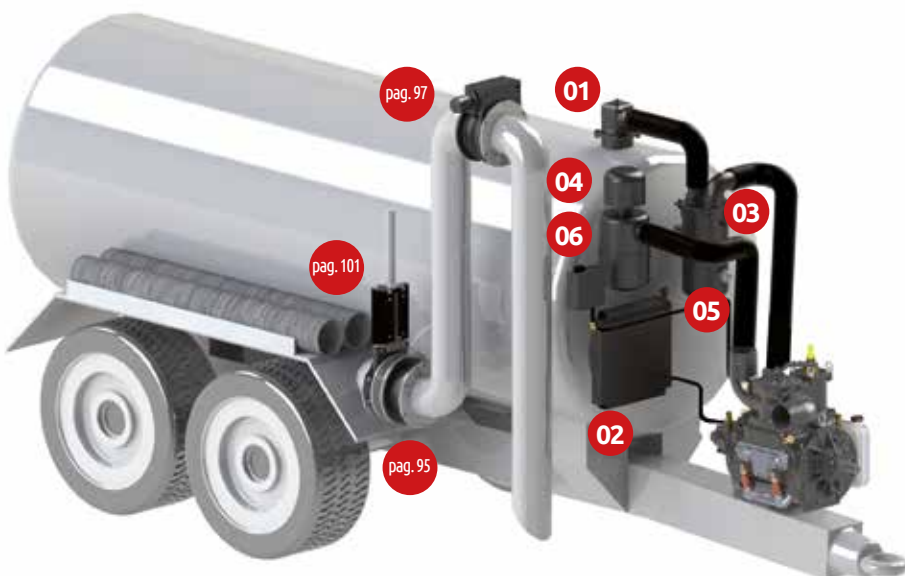
**Primary Overflow Valve –
Two Balls**
Code 6100200030 - Ø76
Code 6100200025 - Ø80
Code 6100200026 - Ø100
Iron ring to be welded
Weight: 13,9/14,0 kg



**Primary Overflow Valve –
One SS Ball**
Code 6100200027 - Ø80 SS
Code 6100200028 - Ø100 SS
Ball material: AISI 316
Iron ring to be welded
Weight: 13,8/13,9 kg



**Pulley with
pneumatic
clutch**
Code
6080200034
KPS 550 - 670



Tank with side pipe



Filter - Silencer
Code 5090000026
KPS - Ø 100
Code 5090000025
KPS - Ø 80
Weight: 13 kg



Rain Cap
Code 5090000062
KPS - Ø 100
Code 5090000061
KPS - Ø 80
Weight: 0,4 kg



Pre-filter
Code 5090000047
KPS - Ø 100
Code 5090000046
KPS - Ø 80
For Filter/silencer only
Weight: 1,1 kg



Cyclon valve - 1100
Code 6100200033
- Ø100
Housing: Galvanized Mild
Steel
Cover: aluminum
Weight: 35 kg



**Cyclon valve - 1100
SS**
Code 6100200034
- Ø100
Housing: AISI 304
Cover: aluminum
Weight: 35 kg



**Secondary Valve - Two
Balls**
Code 6100200035 - Ø76
Code 6100200021 - Ø80
Code 6100200022 - Ø100
Weight: 35,6 kg



Discharge valve
Code 5040200016 - 1" 1/4
To be fitted on Cyclon valves
Code 5040200014 - 1"
To be fitted on
Secondary valve



**Gauge - Ø 80 mm
Axial Connection**
Code 5101700007
To be fitted on
Secondary valve



**Air-Water Cooled with
Thermostat**
Code 5090000081 - 12V
Code 5090000082 - 24V
Weight: 17,8 kg



Battioni®
Pagani

Setting the pace since 1953



Battioni Pagani Pompe S.p.A.

Via Enzo Ferrari, 2
43058 Sorbolo (PR) - Italy

Ph. +39 0521 663203

Fax +39 0521 663206



www.bapag.it
info@bapag.it

