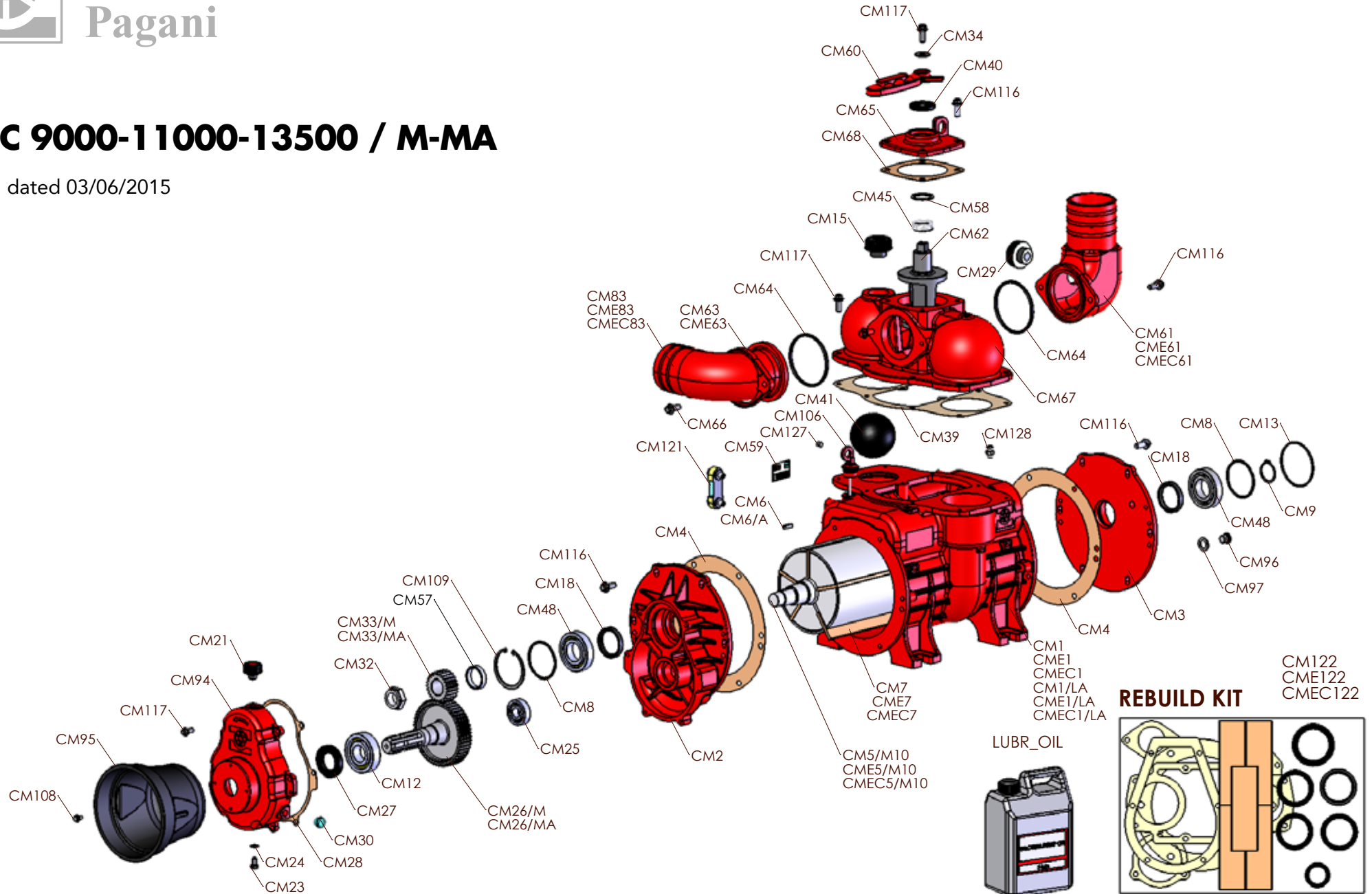




Battioni®
Pagani

MEC 9000-11000-13500 / M-MA

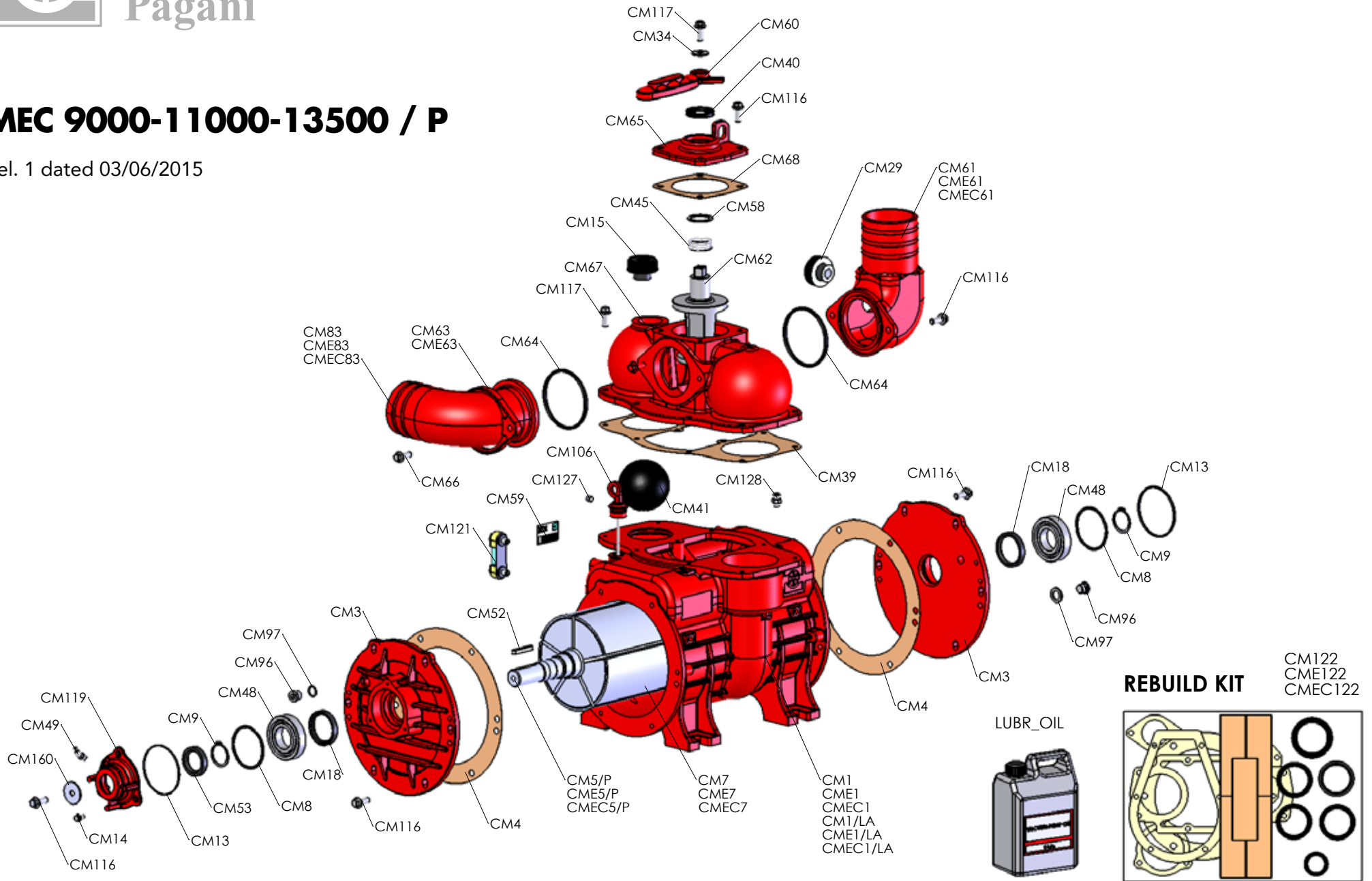
Rel. 1 dated 03/06/2015

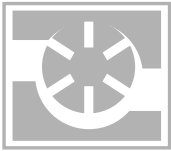




MEC 9000-11000-13500 / P

Rel. 1 dated 03/06/2015

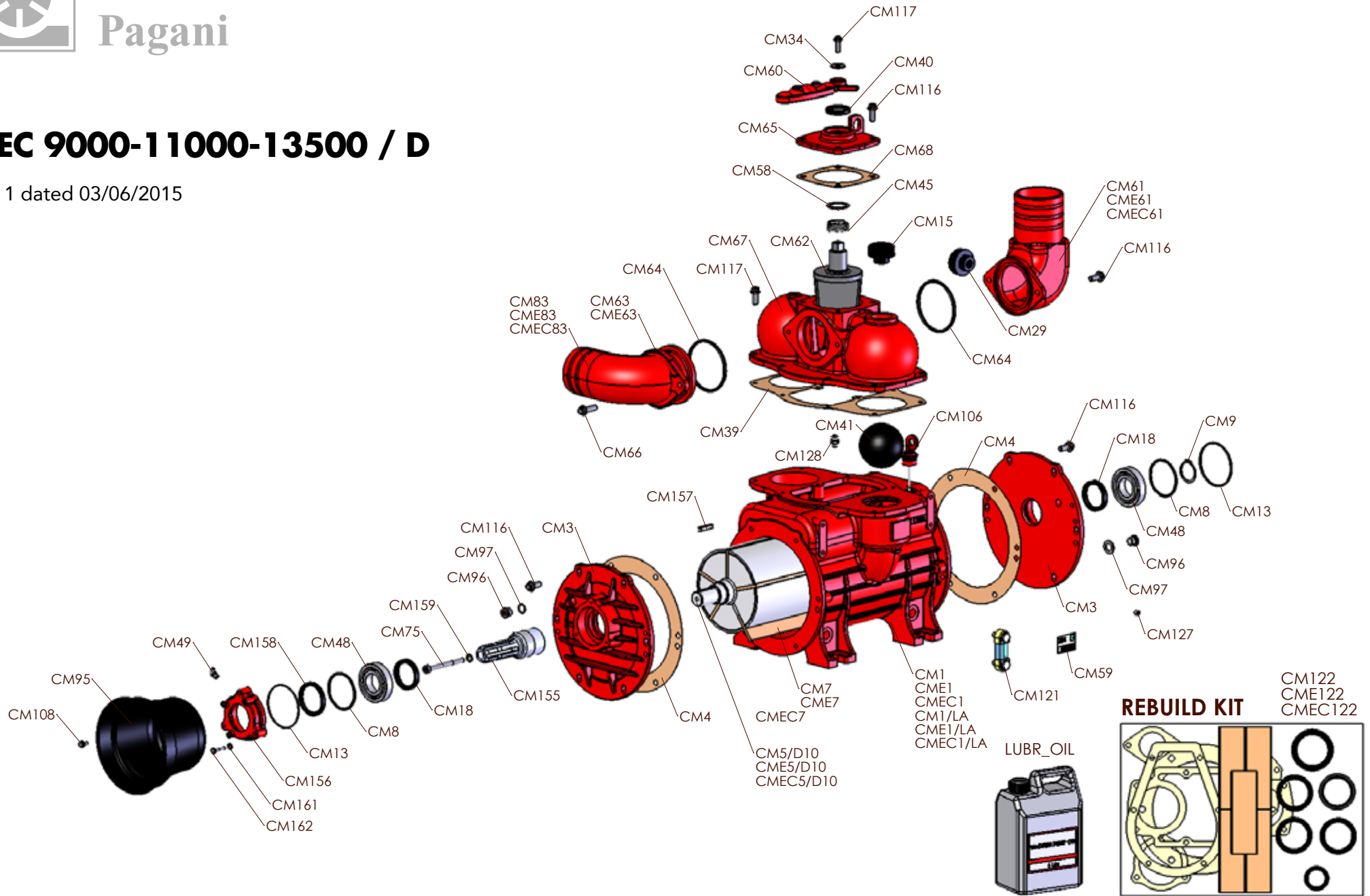




Battioni®
Pagani

MEC 9000-11000-13500 / D

Rel. 1 dated 03/06/2015

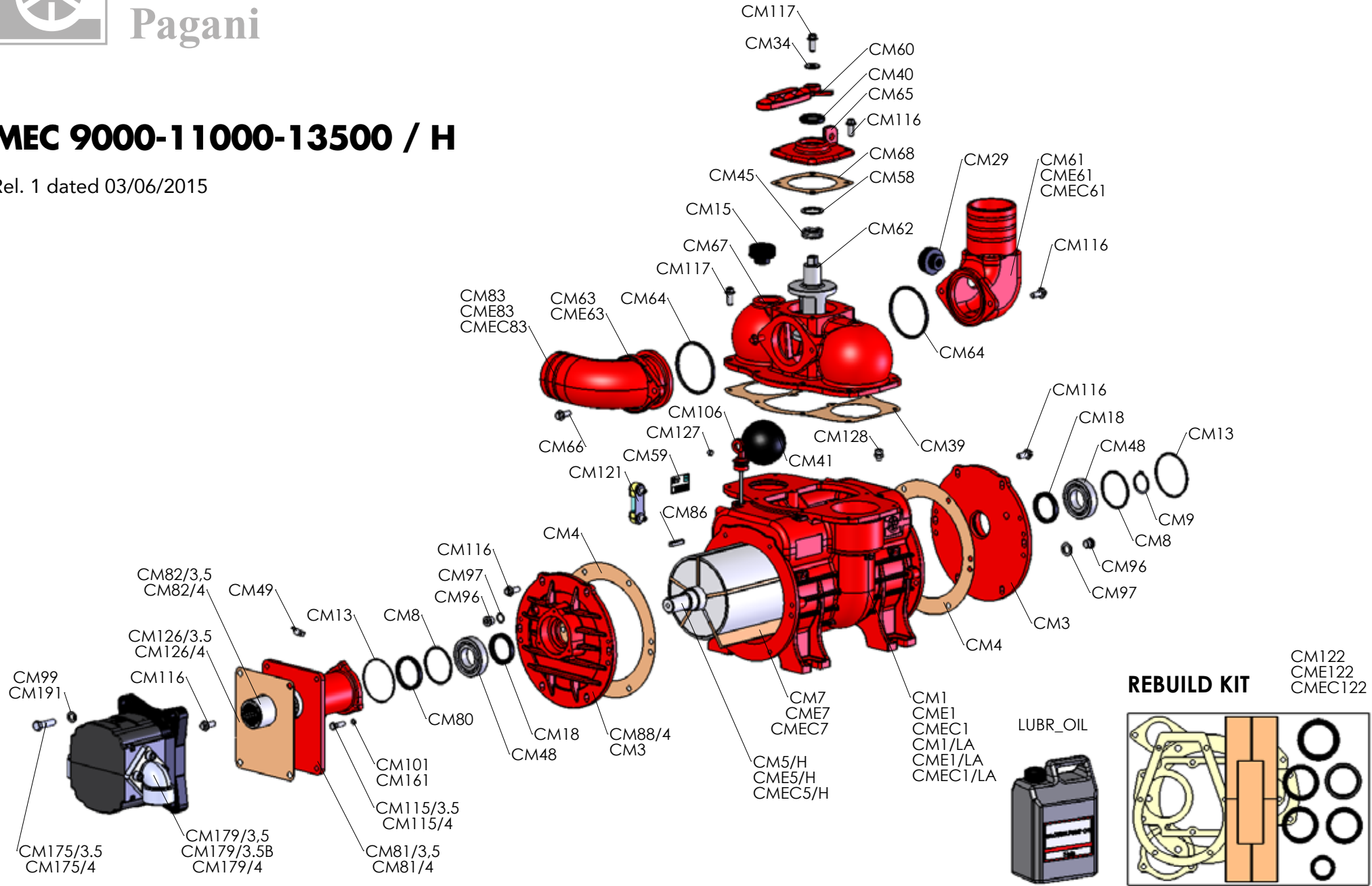




Battioni®
Pagani

MEC 9000-11000-13500 / H

Rel. 1 dated 03/06/2015

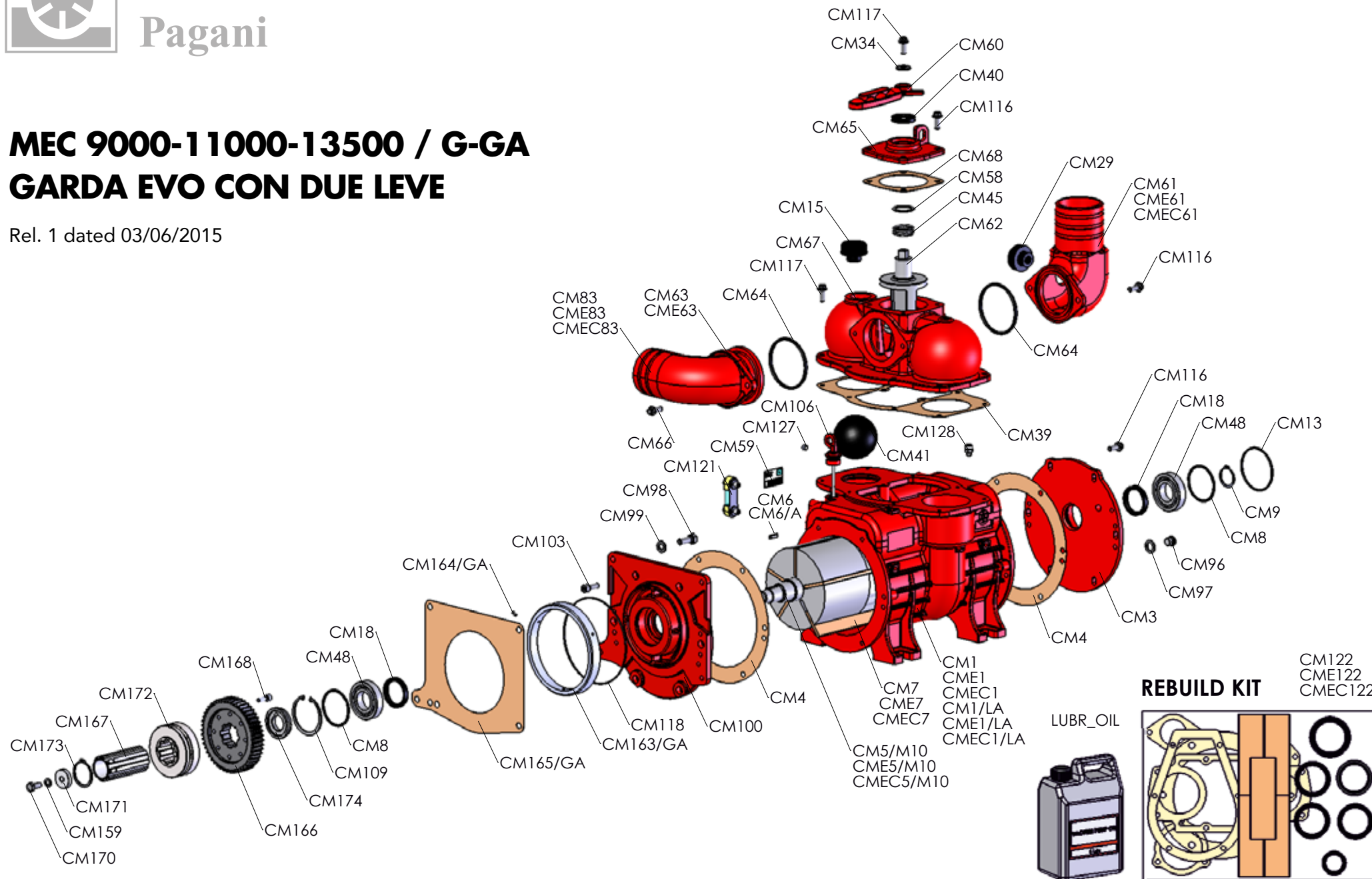


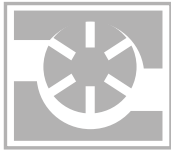


Battioni®
Pagani

MEC 9000-11000-13500 / G-GA GARDA EVO CON DUE LEVE

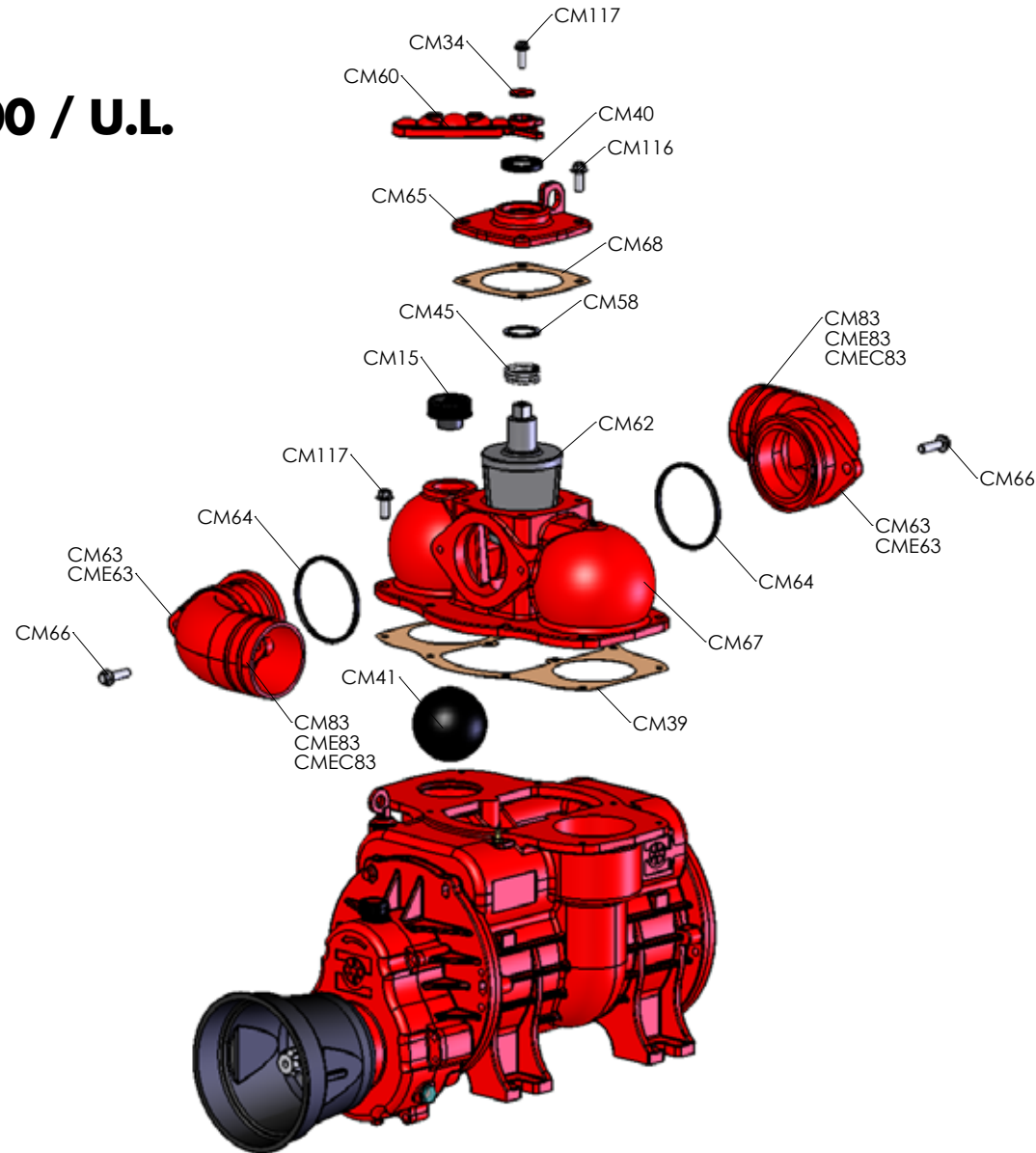
Rel. 1 dated 03/06/2015

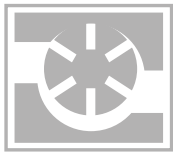




MEC 9000-11000-13500 / U.L.

Rel. 1 dated 03/06/2015

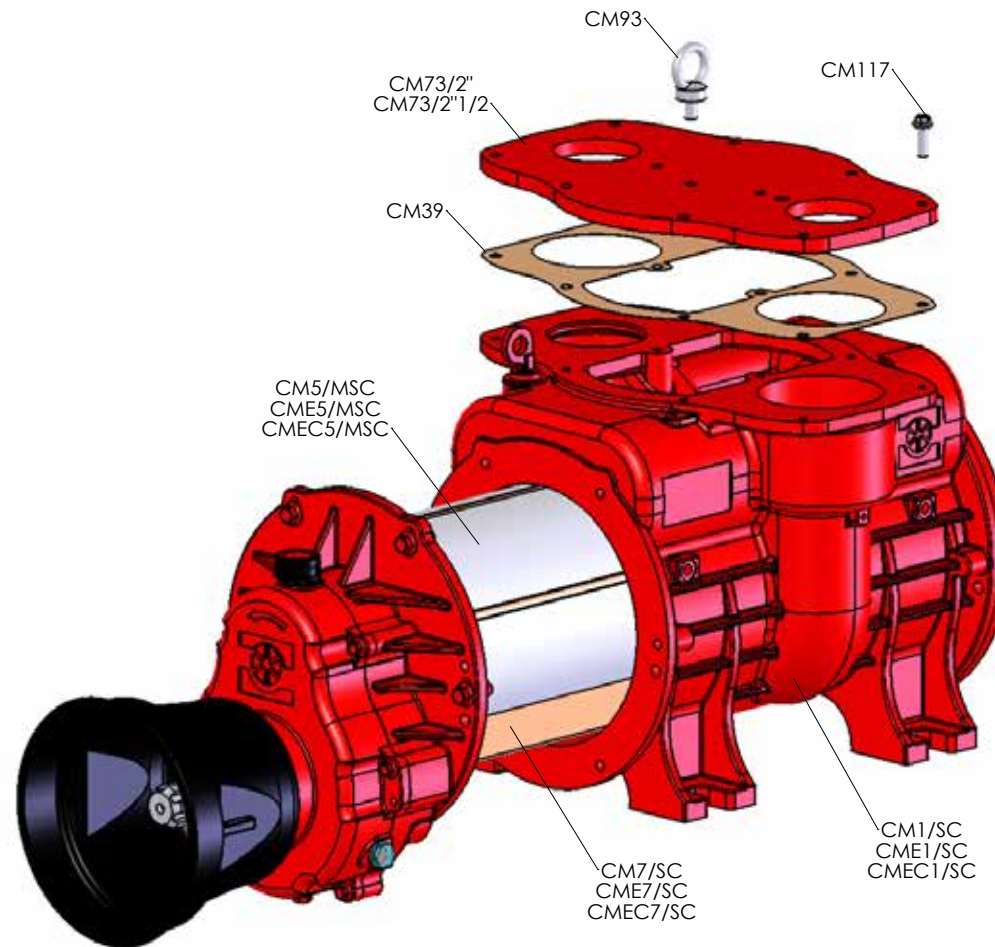




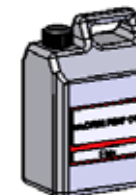
Battioni®
Pagani

MEC 9000-11000-13500 / M - S.C.

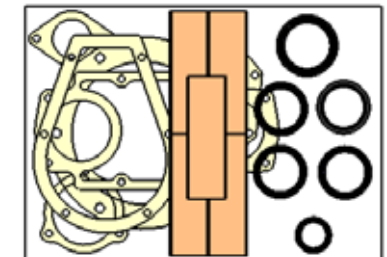
Rel. 1 dated 03/06/2015



LUBR_OIL



REBUILD KIT
CM122/SC
CME122/SC
CMEC122/SC





MEC 9000-11000-13500

<i>Articolo</i> (Article)	<i>Codice</i> (Code)	<i>Descrizione</i>	<i>(Description)</i>	<i>Q.ty</i>	<i>Um</i>
CM1	4010101085	CORPO POMPA MEC 9000 LF	HOUSING - MEC 9000 LF	1	pcs
CM1/LA	4010101101	CORPO POMPA MEC 9000 LA	HOUSING - MEC 9000 LA	1	pcs
CM1/SC	4010101113	CORPO POMPA MEC 9000 SC LF	HOUSING - MEC 9000 SC LF	1	pcs
CME1	4010101086	CORPO POMPA MEC 11000 LF	HOUSING - MEC 11000 LF	1	pcs
CME1/LA	4010101104	CORPO POMPA MEC 11000 LA	HOUSING - MEC 11000 LA	1	pcs
CME1/SC	4010101107	CORPO POMPA MEC 11000 SC LF	HOUSING - MEC 11000 SC LF	1	pcs
CMEC1	4010101087	CORPO POMPA MEC 13500 LF	HOUSING - MEC 13500 LF	1	pcs
CMEC1/LA	4010101108	CORPO POMPA MEC 13500 LA	HOUSING - MEC 13500 LA	1	pcs
CMEC1/SC	4010101114	CORPO POMPA MEC 13500 SC LF	HOUSING - MEC 13500 SC LF	1	pcs
CM2	4010301028	SCATOLA MOLT. MEC 9000-11000-13500/M	GEARBOX - MEC 9000-11000-13500/M	1	pcs
CM3	4010401061	FLANGIA ANT. POST. MEC 9000-11000-13500	FRONT & BACK FLANGE MEC 9000-11000-13500	1	pcs
CM4	4030108048	GUARN. FLANGIA MEC 9-11-13500	BODY GASKET MEC 9-11-13500	2	pcs
CM5/M10	4010220175	ROTORE MEC 9000/M CH.D10	ROTOR - MEC 9000/M KEY 10	1	pcs
CME5/M10	4010220176	ROTORE MEC 11000/M CH.D10	ROTOR - MEC 11000/M KEY 10	1	pcs
CMEC5/M10	4010220177	ROTORE MEC 13500/M CH.D10	ROTOR - MEC 13500/M KEY 10	1	pcs
CM5/MSC	4010220181	ROTORE MEC 9000/M SENZA COLL. CH.10	ROTOR - MEC 9000/M SC KEY 10	1	pcs
CME5/MSC	4010220182	ROTORE MEC 11000/M SENZA COLL. CH.10	ROTOR - MEC 11000/M SC KEY 10	1	pcs
CMEC5/MSC	4010220183	ROTORE MEC 13500/M SENZA COLL. CH.10	ROTOR - MEC 13500/M SC KEY 10	1	pcs
CM5/P	4010220147	ROTORE MEC 9000/P	ROTOR - MEC 9000/P	1	pcs
CME5/P	4010220148	ROTORE MEC 11000/P	ROTOR - MEC 11000/P	1	pcs



MEC 9000-11000-13500

<i>Articolo</i> (Article)	<i>Codice</i> (Code)	<i>Descrizione</i>	<i>(Description)</i>	<i>Q.ty</i>	<i>Um</i>
CMEC5/P	4010220149	ROTORE MEC 13500/P	ROTOR - MEC 13500/P	1	pcs
CM5/H	4010220150	ROTORE MEC 9000/H	ROTOR - MEC 9000/H	1	pcs
CME5/H	4010220151	ROTORE MEC 11000/H	ROTOR - MEC 11000/H	1	pcs
CMEC5/H	4010220152	ROTORE MEC 13500/H	ROTOR - MEC 13500/H	1	pcs
CM5/D10	4010220169	ROTORE MEC 9000/D CH.10	ROTOR - MEC 9000/D KEY 10	1	pcs
CME5/D10	4010220170	ROTORE MEC 11000/D CH.10	ROTOR - MEC 11000/D KEY 10	1	pcs
CMEC5/D10	4010220171	ROTORE MEC 13500/D CH.10	ROTOR - MEC 13500/D KEY 10	1	pcs
CM6	5050707032	CHIAVETTA 10X8X25	KEY - 10X8X25	1	pcs
CM6/A	4011806029	CHIAVETTA RIDUZ. 10X8>6X6 X25 MEC2 MA/GA	REDUCTION KEY - MEC2 MA/GA 10X8>6X6 X25	1	pcs
CM7	4070113192	PALETTA LONG LIFE MEC 9000 300X60X6,5	LONG LIFE BLADE MEC 9000 300X60X6,5	5	pcs
CME7	4070113193	PALETTA LONG LIFE MEC 11000 370X60X6,5	LONG LIFE BLADE MEC 11000 360X60X6,5	5	pcs
CMEC7	4070113194	PALETTA LONG LIFE MEC 13500 460X60X6,5	LONG LIFE BLADE MEC 13500 460X60X6,5	5	pcs
CM7/SC	4070113198	PALETTA STANDARD MEC 9000 299X60X9,7	STANDARD BLADE - MEC 9000 299X60X9,7	5	pcs
CME7/SC	4070113199	PALETTA STANDARD MEC 11000 369X60X9,7	STANDARD BLADE - MEC 11000 369X60X9,7	5	pcs
CMEC7/SC	4070113200	PALETTA STANDARD MEC 13500 458X60X9,7	STANDARD BLADE - MEC 13500 458X60X9,7	5	pcs
CM8	5012207001	ANELLO DI COMPENSAZIONE Ø 80	COMPRESSION & THRUST RING D80	2	pcs
CM9	5050507017	ANELLO SEEGER D 40 E - DIN 471 -	CIRCLIP - D 40 E - DIN 471	1	pcs
CM12	5012107010	CUSCINETTO A SFERE 6307	BALL BEARING - 6307	1	pcs
CM13	5030210028	ANELLO TENUTA OR 2337-85.34X1.78POMPA LF	SEAL RING - OR 2337 85.34X1.78 LF PUMP	2	pcs
CM14	5050107005	VITE M 6X16 TE	SCREW - M 6X16 TE	5	pcs



MEC 9000-11000-13500

CM15	5040303015	TAPPO NERO D 2" GAS	BLACK PLUG - D 2" GAS	1	pcs
CM18	5030300041	PARAOLIO 48X62X10 DCV	OIL SEAL - 48X62X10 DCV	2	pcs
CM21	5060605001	TAPPO CARICO OLIO D 3/8" GAS	OIL PLUG - D 3/8" GAS	1	pcs
CM23	5050107018	VITE M 10X16 TE	SCREW - M 10X16 TE	1	pcs
CM24	5050202002	RONDELLA D 10X16X1,5 ALLUMINIO	ALUMINIUM WASHER - D 10X16X1,5	4	pcs
CM25	5012107006	CUSCINETTO A SFERE 6304	BALL BEARING - 6304	1	pcs
CM26/M	4020507003	INGR. CON ALBERO MEC 6,5-8000 Z53-M2,5	GEAR WITH SHAFT - Z53-M2,5 MEC 6,5-8000	1	pcs
CM26/MA	4020507012	INGR. CON ALBERO MEC9-13500/MA Z43-M2,5	GEAR WITH SHAFT MEC9-13500/MA Z43-M2,5	1	pcs
CM27	5030300005	PARAOLIO 35X62X10	OIL SEAL - 35X62X10	1	pcs
CM28	4030108049	GUARN. COPERCHIO MOLT. MEC 9-11-13500	GEARBOX COVER GASKET MEC 9-11-13500	1	pcs
CM29	5060605005	TAPPO NERO D 1"1/2 GAS	BLACK CAP - D 1"1/2 GAS	1	pcs
CM30	5060105004	TAPPO LIVELLO OLIO D 3/8" GAS	OIL LEVEL PLUG - D 3/8" GAS	1	pcs
CM32	5050300002	DADO AUTOBLOCCANTE M 27X2X16	SELF-LOCKING NUT - M 27X2X16	1	pcs
CM33/M10	4020607059	PIGNONE MEC 9-11-13500/M Z23-M2,5	PINION MEC 9-11-13500/M Z23-M2,5	1	pcs
CM33/MA	4020607057	PIGNONE MEC 9-11-13500/MA Z33-M2,5	PINION MEC 9-11-13500/MA Z33-M2,5	1	pcs
CM34	5050207032	RONDELLA D 10X28X4 - DIN 6340	WASHER - D 10X28X4 - DIN 6340	1	pcs
CM39	4030109035	GUARN. COLLETTORE MEC 9-11-13500	MANIFOLD GASKET MEC 9-11-13500	1	pcs
CM40	5030300015	PARAOLIO 35X50X7 TC	OIL SEAL - 35X50X7 TC	1	pcs
CM41	5060410007	SFERA IN GOMMA PESANTE D 90	RUBBER BALL - D 90	1	pcs
CM45	4012007011	MOLLA MEC 9-11-13500	SPRING - MEC 9-11-13500	1	pcs
CM48	5012107004	CUSCINETTO A SFERE 6208	BALL BEARING - 6208	2	pcs



MEC 9000-11000-13500

Articolo (Article)	Codice (Code)	Descrizione	(Description)	Q.ty	Um
CM49	5050812001	INGRASSATORE M 10X1	LUBRICATOR - M 10X1	1	pcs
CM52	5050707007	CHIAVETTA 8X7X50	KEY - 8X7X50	1	pcs
CM53	5030300002	PARAOLIO 35X52X10	OIL SEAL - 35X52X10	1	pcs
CM57	4011707067	DISTANZIALE ROTORE MEC 9-11-13500 M-G	SPACER ROTOR M MEC 9-11-13500 M-G	1	pcs
CM58	5050207031	RONDELLA PER CONO INVERT. MEC 9-11-13500	TEFLON WASHER REV.GEAR MEC 9-11-13500	1	pcs
CM59	5101800000	THERMO LABEL	THERMO LABEL	1	pcs
CM60	4010801024	MANIGLIA MEC 9-13500	HANDLE - MEC 9-13500	1	pcs
CM61	4011501030	CURVA ASPIRAZIONE D 76 MEC 9-11-13500	SUCTION ELBOW D 76 MEC 9-11-13500	1	pcs
CME61	4011501031	CURVA ASPIRAZIONE D 80 MEC 9-11-13500	SUCTION ELBOW D 80 MEC 9-11-13500	1	pcs
CMEC61	4011501032	CURVA ASPIRAZIONE D 100 MEC 9-11-13500	SUCTION ELBOW D 100 MEC 9-11-13500	1	pcs
CM62	4010701018	CONO INVERTITORE MEC 9-13500	REVERSING GEAR MEC 9-13500	1	pcs
CM63	4010406017	FLANGIA PREMICURVA D 80 - STAR	FLANGE FOR ELBOW - STAR D80	2	pcs
CME63	4010406015	FLANGIA PREMICURVA D 100 - STAR	FLANGE FOR ELBOW - STAR D100	2	pcs
CM64	5030210008	ANELLO TENUTA OR 189 STAR UL	SEAL RING - OR 189 STAR UL	2	pcs
CM65	4010601056	COPERCHIO COLL.MEC 9_13500-STAR-WPT/UL	MANIFOLD COVER - MEC 9_13500-STAR-WPT/UL	1	pcs
CM66	5050107054	VITE M 10X35 TE	SCREW - M 10X35 TE	2	pcs
CM67	4010501026	COLLETTORE MEC 9000-11000-13500	MANIFOLD MEC 9000-11000-13500	1	pcs
CM68	4030109025	GUARN. COP.COLL. MEC 9_13500-STAR-WPT/UL	MANIFOLD COVER GASK-MEC 9_13500-STAR-WPT/UL	1	pcs
CM73/2"	4010606020	COPERCHIO SERBATOIO 2" MEC 9000	OIL TANK COVER 2" MEC 9000	1	pcs
CM73/2"5	4010606021	COPERCHIO SERBATOIO 2"1/2 MEC 11-13500	OIL TANK COVER 2"1/2 MEC 11-13500	1	pcs



MEC 9000-11000-13500

<i>Articolo</i> (Article)	<i>Codice</i> (Code)	<i>Descrizione</i>	<i>(Description)</i>	<i>Q.ty</i>	<i>Um</i>
CM80	5030300013	PARAOLIO 55X68X8	OIL SEAL - 55X68X8	1	pcs
CM81/3,5	4011001016	SUPPORTO MOTORE IDR.MEC 2-11000/H GR.3,5	HYDR. MOT. SUPPORT - MEC 2-11000/H GR.3,5	1	pcs
CM81/4	4011001059	SUPPORTO MOTORE IDR. MEC9-11-11000/H GR4	HYDRAULIC MOTOR SUPP MEC9-11-13500/H GR4	1	pcs
CM82/3,5	4020107027	MANICOTTO TRASM. MOT. IDR.MEC 9-11000 GR 3,5	HYDR.MOTOR TRANSM.COUPLING MEC 9-11000 GR 3,5	1	pcs
CM82/4	4020107024	MANICOTTO TRASM. MOT. IDR.MEC 9-13500 GR4	HYDR.MOTOR TRANSM.COUPLING MEC 9-11-13500 GR4	1	pcs
CM83	4010901018	CURVA SCAR. ORIENT.MEC 9_13500-STAR D 76	REVOLVING ELBOW - MEC 9_13500-STAR D 76	2	pcs
CME83	4010901019	CURVA SCAR. ORIENT.MEC 9_13500-STAR D 80	REVOLVING ELBOW - MEC 9_13500-STAR D 80	2	pcs
CMEC83	4010901020	CURVA SCAR. ORIENT.MEC 9_13500-STAR D100	REVOLVING ELBOW - MEC 9_13500-STAR D 100	2	pcs
CM86	5050707015	CHIAVETTA 8X7X40	KEY - 8X7X40	1	pcs
CM88/4	4010401063	FLANGIA ANT. MEC 9-13500/H	FRONT FLANGE - MEC 9-13500 /H	1	pcs
CM93	5051206001	GOLFARE MASCHIO M 10 - CE	MALE EYEBOLT - M 10 - CE	1	pcs
CM94	4010601154	COPERCHIO SCATOLA MOLT. MEC 9-11-13500	GEARBOX COVER - MEC 9-11-13500	1	pcs
CM95	4060505000	PROTEZIONE ALBERO CE	SHAFT GUARD - CE	1	pcs
CM96	5050906006	TAPPO D 16x1.5 - DIN 908 -	PLUG - D 16X1 DIN 908	1	pcs
CM97	5050202007	RONDELLA D 16X20X1,5 ALLUMINIO	ALUMINIUM WASHER - D 16X20X1,5	1	pcs
CM98	5050107028	VITE M 12X35 TE	SCREW - M 12X35 TE	4	pcs
CM100	4010401062	FLANGIA SUPPORTO DEC. MEC 9-11-13500/G	PUMP SUPP. FLANGE MEC 9-11-13500/G	1	pcs
CM101	5050207003	RONDELLA D 8	SMOOTH WASHER - D 8	3	pcs
CM102/G	4020607005	PIGNONE DEC. GARDA MEC 6,5-8000 Z39-M3	GARDA PINION - Z39-M3 MEC 6,5-8000	1	pcs
CM102/GA	4020607017	PIGNONE DEC. GARDA MEC 6,5-8000 GA Z50-M3	GARDA PINION - Z50-M3 MEC 6,5-8000 GA	1	pcs



MEC 9000-11000-13500

Articolo (Article)	Codice (Code)	Descrizione	(Description)	Q.ty	Um
CM103	5050107026	VITE M 10X25 TCEI	SCREW - M 10X25 TCEI	6	pcs
CM106	5060100001	ASTA LIVELLO OLIO 18X55 MM	OIL LEVEL ROD - MM 18X55	1	pcs
CM108	5050107107	VITE M 6x10 TEF - FL/ZIGR 8.8 -	GALVANIZED SCREW - M 6X10 TEF	4	pcs
CM109	5050507011	ANELLO SEEGER D 80 I	CIRCLIP - D 80 I	1	pcs
CM115/3,5	5050107122	VITE M 6X25 TE -10.9 -	SCREW - M 6X25 TE -10.9 -	3	pcs
CM115/4	5050107123	VITE M 8X25 TE - 10.9	SCREW - M 8X25 TE - 10.9	3	pcs
CM116	5050107109	VITE M 10X25 TEF - FL/ZIGR 8.8	SCREW - M 10X25 TEF - FL/ZIGR 8.8	12	pcs
CM117	5050107108	VITE M 8X25 TEF - FL/ZIGR 8.8	SCREW - M 8X25 TEF - FL/ZIGR 8.8	8	pcs
CM118	5030210063	ANELLO TENUTA OR 177.47X2.62	SEAL RING - OR 177.47X2.62	1	pcs
CM119	4010601153	COPERCHIO ANTERIORE MEC 5-13500 /P-AL	FRONT COVER - MEC 5-13500/P AL	1	pcs
CM121	4060505039	SPIA LIVELLO OLIO MEC 9000-11000-13500	OIL LEVEL INDICATOR MEC 9000-11000-13500	1	pcs
CM126/3,5	4030108046	GUARN. SUPP. MOTORE IDR. GR. 3-3.5 MEC	HYDR. MOT. SUPP. GASKET - GR. 3-3.5 - MEC	1	pcs
CM126/4	4030108028	GUARN. SUPP. MOTORE IDR. GRUPPO 4	HYDRAULIC MOTOR SUPPORT GASKET - GR4	1	pcs
CM127	5050903003	TAPPO D. 1/8" - DIN 906	PLUG - D 1/8" DIN 906	7	pcs
CM128	5050903004	TAPPO M 10x1 - CON SFIATO	PLUG - M 10X1 WITH AIR RELEASING	1	pcs
CM154	5050107125	VITE M 10X110 TCEI	SCREW - M 10X110 TCEI	1	pcs
CM155	4020107028	PRESA CALETTATA FORO D 32 -CH.10-Ø 1"3/8	SPLINED HUB HOLE D 32 -KEY 10 - D 1" 3/8	1	pcs
CM156	4010601167	COPERCHIO ANTERIORE MEC 9-11-13500 /D	FRONT COVER - MEC 9-11-13500/D	1	pcs
CM157	5050707031	CHIAVETTA 10X8X40	KEY - 10X8X40	1	pcs
CM158	5030300048	PARAOLIO 54X68X10 TC	OIL SEAL - 54X68X10 TC	1	pcs



MEC 9000-11000-13500

<i>Articolo</i> (Article)	<i>Codice</i> (Code)	<i>Descrizione</i>	<i>(Description)</i>	<i>Q.ty</i>	<i>Um</i>
CM159	5050207034	RONDELLA DI SICUREZZA D 10	SECURITY WASHER - D10	1	pcs
CM160	5050207008	RONDELLA TRANCIATA D 10X40	BLANK WASHER - D 10X40	1	psc
CM161	5050207002	RONDELLA D 6	SMOOTH WASHER - D 6	3	pcs
CM162	5050107157	VITE M 6X40 TE	SCREW - M 6X40 TE	3	pcs
CM163/GA	4011707024	ANELLO DI RID.SUPP.POMPA WPT 1000 GARDA	FLANGE RING NUT - WPT/G 1000 RPM	1	pcs
CM164/GA	5051007001	GRANO M 6X10	DOWEL - M 6X10	3	pcs
CM165/GA	4030108047	GUARN. FLANGIA SUPP. MEC9-13500/GA	DEC. SUPPORT GASKET - MEC9-13500/GA	1	pcs
CM166	4020607051	PIGNONE DEC. GARDA MEC/GA 2 LEVE	GARDA PINION - MEC/GA 2 LEVE	1	pcs
CM167	4020907069	ALBERO CONVERSIONE GARDA T MEC/STAR	SPLINED SLEEVE - GARDA T MEC/STAR	1	n
CM168	5050107016	VITE M 8X25 TCEI	SCREW - M 8X25 TCEI	8	n
CM170	5050107099	VITE ZINCATA M 10X45 TE	GALVANIZED SCREW - M 10X45 TE	1	n
CM171	4011707055	RONDELLA BLOCCAGGIO CALETTATO GARDA T	SPLINED SMOOTH WASHER - GARDA T	1	n
CM172	4020107034	MOZZO SCORREVOLE GARDA EVO	SLIDING SLEEVE - GARDA EVO	1	n
CM173	5050507029	ANELLO SEEGER D 55 E - DIN 471	CIRCLIP - D 55 E - DIN 471	1	n
CM174	4011707115	DISTANZIALE PERNO GA T	SPACER PIN GA T	1	n
CM175/3,5	5050107099	VITE ZINCATA M 10X45 TE	GALVANIZED SCREW - M 10X45 TE	4	pcs
CM175/4	5050107061	VITE M 12X45 TCEI	SCREW - M 12X45 TCEI	4	pcs
CM176	5050107009	VITE M 8X20 TE	SCREW - M 8X20 TE	1	pcs
CM177	4010501029	COLLETTORE MEC 9-11-13500 DU	MANIFOLD - MEC 9-11-135000 DU	1	pcs
CM178	4010801005	SELETTORE INVERTITORE STAR-WPT	REVERSE SELECTOR - STAR-WPT	1	pcs



MEC 9000-11000-13500

Articolo (Article)	Codice (Code)	Descrizione	(Description)	Q.ty	Um
CM179/3,5	6080200057	MOTORE IDR. KM 30.51 SO GR.3.5 COMPL.	HYDRAULIC MOTOR KM 30.51 SO GR. 3.5	1	pcs
CM179/3,5B	6080200059	MOTORE IDR. KM 30.73 SO GR.3.5 COMPL.	HYDRAULIC MOTOR KM 30.73 SO GR. 3.5	1	pcs
CM179/4	6080200061	MOTORE IDR. KM 40.87 SO GR.4 COMPL.	HYDRAULIC MOTOR KM 40.87 SO GR.4	1	pcs
CM180	4010701009	CONO INVERTITORE MEC 9-13500 DU	REVERSING GEAR - MEC 9-13500 DU	1	pcs
CM181	4011501002	CANNOTTO PORTATUBO MEC 9-11-13500 D80 DU	SLEEVE - MEC 9-11-13500 D 80 DU	2	pcs
CM182	4030109019	GUARN. CANNOTTO PORTATUBO MEC 9-13500 DU	MANIFOLD COVER GASKET -MEC 9-13500 DU	2	pcs
CM183	5060010001	POMOLO MANIGLIA WPT-STAR	HANDLE KNOB - D 3/8" GAS	1	pcs
CM184	4012007004	MOLLA STAR-WPT	SPRING - STAR-WPT	1	pcs
CM185	4030109018	GUARN. COPERCHIO COLL. MEC 9-11-13500 DU	MANIFOLD COVER GASKET - MEC 9-11-13500 DU	1	pcs
CM186	4010601044	COPERCHIO COLLETTORE MEC 9-11-13500 DU	MANIFOLD COVER - MEC 9-11-13500 DU	1	pcs
CM187	4050412014	PRIGIONIERO M 8X25 UNI 5911 - DIN 939	STUD BOLT - M 8X25 UNI 5911 - DIN 939	2	pcs
CM188	5050207023	RONDELLA D 8 ZINCATA	GALVANIZED FLAT WASHER - D 8	2	pcs
CM189	5050307007	DADO M 8 ZINCATO	NUT - M 8 GALVANIZED	2	pcs
CM190	5050307004	DADO M 12	NUT - M 12	1	pcs
CM192	4011912001	PERNO MANIGLIA STAR-WPT	HANDLE PIN - STAR-WPT	1	pcs
CM122	6010201045	KIT REVISIONE POMPA MEC 9000 LONG LIFE	REBUILD KIT - MEC 9000 LONG LIFE	1	pcs
CME122	6010201046	KIT REVISIONE POMPA MEC 11000 LONG LIFE	REBUILD KIT - MEC 11000 LONG LIFE	1	pcs
CMEC122	6010201047	KIT REVISIONE POMPA MEC 13500 LONG LIFE	REBUILD KIT - MEC 13500 LONG LIFE	1	pcs
CM122/SC	6010201051	KIT REVISIONE POMPA MEC 9000 M S.C.	REBUILD KIT - MEC 9000 M S.C.	1	pcs
CME122/SC	6010201052	KIT REVISIONE POMPA MEC 11000 M S.C.	REBUILD KIT - MEC 11000 M S.C.	1	pcs



<i>Articolo</i> (Article)	<i>Codice</i> (Code)	<i>Descrizione</i>	<i>(Description)</i>	<i>Q.ty</i>	<i>Um</i>
CMEC122/SC	6010201053	KIT REVISIONE POMPA MEC 13500 M S.C.	REBUILD KIT - MEC 13500 M S.C.	1	pcs
LUBR_OIL	5070200100	OLIO BATTIONI PAGANI POMPE (5LT)	BATTIONI PAGANI VACUUM PUMP OIL (5LT)	1	pcs