

# WPT

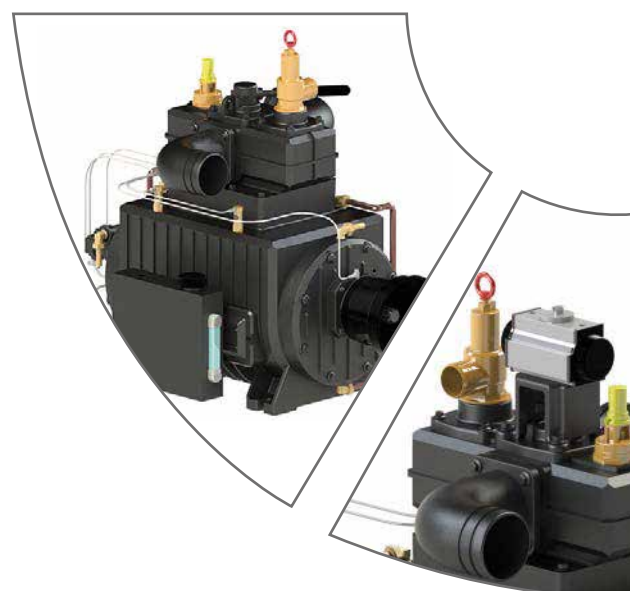
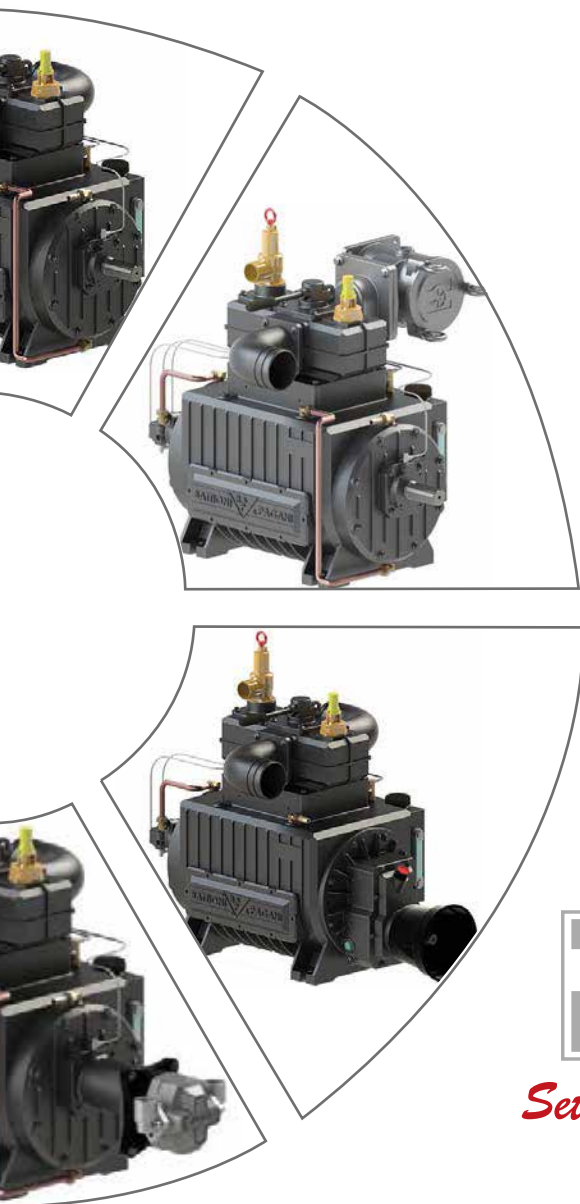
480 - 600 - 720

Technical catalogue  
Catalogo tecnico  
Technischer Katalog



Battioni®  
Pagani

*Setting the pace since 1953*





**Battioni®  
Pagani**

*Setting the pace since 1953*

**Overpressure valve as standard**

Valvola di sovrappressione di serie  
Überdruckventil als Serie

**Depression valve as standard**

Valvola di regolazione vuoto di serie  
Unterdruckventil als Serie

**Selector vacuum - pressure**

Selettore Vuoto - Pressione  
Wähler von Vakuum/Druck

**Automatic lubrication pump as standard**

Pompa di lubrificazione automatica di serie  
Automatische Schmierung als Serie



**Integrated cooling pump as standard**

Pompa di raffreddamento integrato di serie  
Integrierte Kühlpumpe

**Painting RAL 7021, resistant to 240 hours corrosion protection – salt- and fog/haze tested**

Verniciatura RAL 7021, resistente a 240 ore di esposizione in nebbia salina

Lackierung RAL 7021, beständig gegen 240 Stunden Salz- und Nebeltest

**High wearing resistance thanks to cast-iron with high hardness**

Elevata resistenza ad usura grazie a ghisa ad alta durezza  
Hohe Festigkeit zu Abnutzung für Gußeisen mit hohe Härte

**Long Life Blades as standard**

Palette Long Life di serie  
Long Life Schaufeln als serie



LIQUID COOLED -  
ROTARY VANES  
VACUUM/PRESSURE  
PUMPS



**Watercooling in the body and flanges**  
 Raffreddamento ad acqua su corpo e flange  
 Wasserkühlung im Körper und in den Flanschen

**Kit Aluminium Air Filter**  
 Kit Filtro aria in alluminio  
 Saugfilter Satz

**External Side oil tank as standard**  
 Serbatoio olio laterale di serie  
 Externe Seitenöltank als Serie

**Blades inspection hole**  
 Foro ispezione palette  
 Bohrung für Lamellen Prüfung



**Rotor with steel pins fixed on it to help maintenance operations**  
 Rotore con perni in acciaio riportati per facilitare interventi di manutenzione  
 Rotor mit stahl Stifte eingebaut auf Rotor für leichte Unterhaltung



## VERSIONS



WPT - MFR/  
MAFR



WPT - PFR



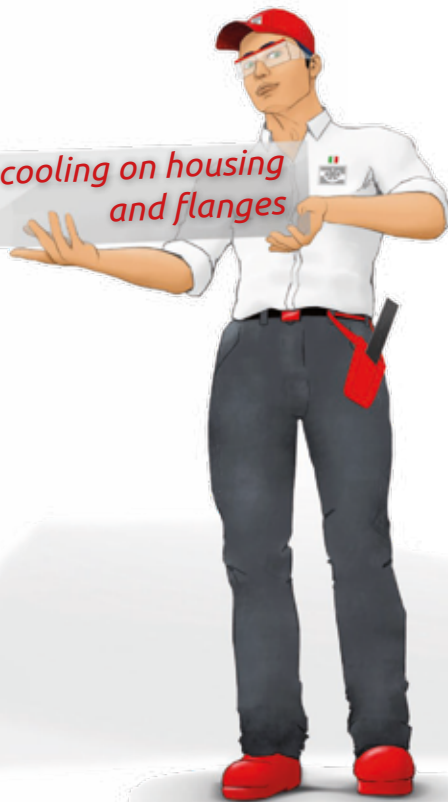
WPT - DFR



WPT - HFR

Liquid cooled - Rotary  
Vanes Vacuum/Pressure  
pumps

*Water-cooling on housing  
and flanges*



The picture is only for informative purpose.  
 See the table on page 89 for the complete list of the available options.



# WPT

## 480 - 600 - 720



**Battioni®  
Pagani**

*Setting the pace since 1953*

### WPT – The everlasting

The WPT pump series features liquid cooled housing and flanges enabling continuous operation in vacuum and in pressure modes.  
The WPT has been designed with no structural strength compromises: cast iron housing walls are 35mm thick!  
The WPT oversized robust construction makes this pump ideal for heavy duty applications where long time continuous non-stop operation is required (i.e. oil fields, combined vacuum trucks, industrial applications).  
The WPT series is the ideal choice for professional users and contractors.



### STANDARD FEATURES

- Automatic lubrication (3 or 4 points), cooling pump, 4-ways valve, check valve, Side outlets with revolving elbows, Vacuum relief valve, overpressure valve long life blade
- Available hoses connections: Ø 76 mm (3") / Ø 80 mm / Ø 100 mm (4")

### VERSIONS

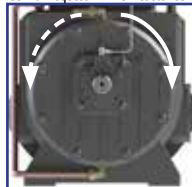
CCW as standard



#### Version MFR-MAFR

Splined shaft  
1"3/8 - Z6 ISO 500

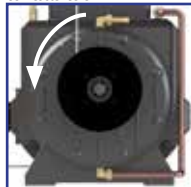
CCW on request CW as standard



#### Version PFR

Smooth Cylindrical shaft,  
Ø 40, lenght 90 mm  
Parallel key UNI 6604

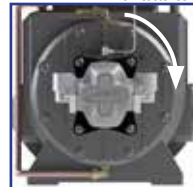
CCW as standard



#### Version DFR

Splined shaft  
1"3/8 - Z6 ISO 500

CW as standard



#### Version HFR

Group 4  
86,56 cc/rev - Pmax 280 bar  
- In G 1"1/4 - Out G 1" 1/2

### TECHNICAL DATA

	Geometrical capacity			Max rpm			Max abs pressure Bar/PSI	Max vacuum % (inHg)	Max continuous vacuum % (inHg)	Power at max vacuum kW (HP)	Weight kg				
	m <sup>3</sup> /h	l/min	cfm	MFR	MAFR	PFR/DFR/HFR					MFR	PFR	DFR	HFR	MAFR
WPT 480	582	9700	342,5	600	1000	1200	2.5 (36)	95% (28,5")	80% (24")	27 (36,2)	273	260	260	301	273
WPT 600	708	11800	416,7	600	1000	1200	2.5 (36)	95% (28,5")	80% (24")	30 (40,2)	320	309	309	348	320
WPT 720	852	14200	501,4	600	1000	1200	2.5 (36)	95% (28,5")	80% (24")	35 (46,9)	369	358	358	397	369

### OPTIONALS



**Kit Aluminum Final Air filter 1300**  
Code 6080200291



**Hydraulic Revolving Changeover**  
Code 5090000078



**Pneumatic Revolving Changeover**  
Code 6080200116



**Pneumatic Revolving Changeover - 3 positions**  
Code 6080200294



**Hydraulic Changeover**  
Code 6080200176



**Battioni Pagani Vacuum Pump Oil 5 lt.**  
Code 5070200100



**Battioni Pagani Flushing Fluid 5 lt.**  
Code 5070200102



**Flushing Kit**  
Code 6080200325



**Customized Painting**



**ACCESSORIES**



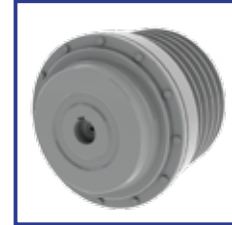
**Primary Overflow Valve – Two Balls**

Code 6100200030 - Ø76  
Code 6100200025 - Ø80  
Code 6100200026 - Ø100  
Iron ring to be welded  
Weight: 13,9/14,0 kg



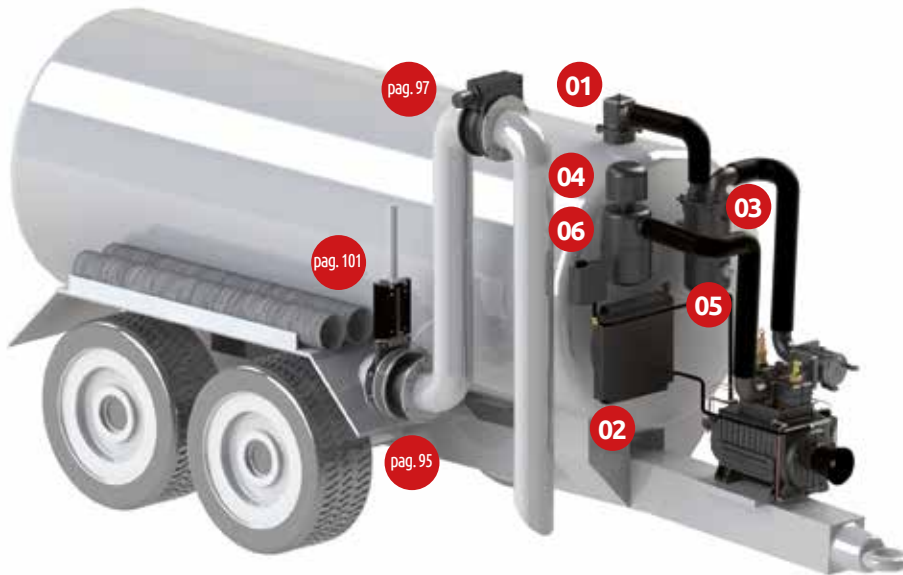
**Primary Overflow Valve – One SS Ball**

Code 6100200027 - Ø80 SS  
Code 6100200028 - Ø100 SS  
Ball material: AISI 316  
Iron ring to be welded  
Weight: 13,8/13,9 kg



**Pulley with pneumatic clutch**

Code 6080200034



**Tank with side pipe**



**Filter - Silencer**

Code 5090000026  
WPT 600-720 - Ø 100  
Code 5090000025  
WPT 480 - Ø 80  
Weight: 13 kg



**Rain Cap**

Code 5090000062  
WPT 600-720  
Code 5090000061  
WPT 480  
Weight: 0,4 kg



**Pre-filter**

Code 5090000047  
WPT 600-720  
Code 5090000046  
WPT 480  
For Filter/silencer only  
Weight: 1,1 kg

Liquid cooled - Rotary  
Vanes Vacuum/Pressure  
pumps



**Cyclon valve - 1100**

Code 6100200033  
- Ø100  
Housing: Galvanized Mild Steel  
Cover: aluminum  
Weight: 35 kg



**Cyclon valve - 1100 SS**

Code 6100200034  
- Ø100  
Housing: AISI 304  
Cover: aluminum  
Weight: 35 kg



**Secondary Valve - Two Balls**

Code 6100200035 - Ø76  
Code 6100200021 - Ø80  
Code 6100200022 - Ø100  
Weight: 35,6 kg



**Discharge valve**

Code 5040200016 - 1" 1/4  
To be fitted on Cyclon valves  
Code 5040200014 - 1"  
To be fitted on Secondary valve



**Gauge - Ø 80 mm Axial Connection**

Code 5101700007  
To be fitted on Secondary valve



**Air-Water Cooled with Thermostat**

Code 5090000081 - 12V  
Code 5090000082 - 24V  
Weight: 17,8 kg





Battioni®  
Pagani

*Setting the pace since 1953*



## **Battioni Pagani Pompe S.p.A.**

Via Enzo Ferrari, 2  
43058 Sorbolo (PR) - Italy

Ph. +39 0521 663203

Fax +39 0521 663206



[www.bapag.it](http://www.bapag.it)  
[info@bapag.it](mailto:info@bapag.it)

