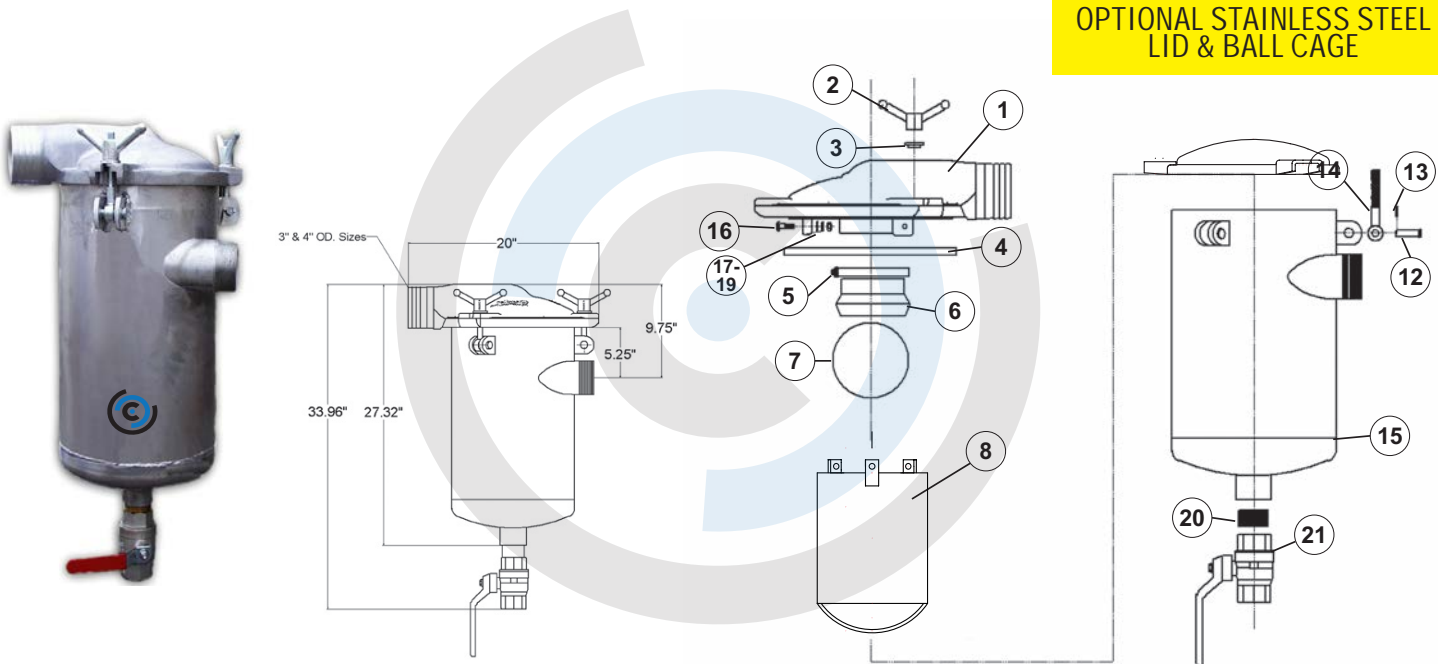


# ALUMINUM SECONDARY SHUTOFFS

PART#	DESCRIPTION	L x W x H	WEIGHT
1008-0300	10 GALLON ALUMINUM SECONDARY W/3" HOSE BARB, CAST ALUM. LID, 3" NPT ON SIDE, (450 CFM)	20x16x27.32	54 LBS
1008-0304	10 GALLON ALUMINUM SECONDARY W/4" HOSE BARB, CAST ALUM. LID, 4" NPT ON SIDE, (525 CFM)	20x16x27.32	54 LB
1008-0302	10 GALLON ALUMINUM SECONDARY W/S.S. DOME LID AND BALL CAGE WITH 3" OPENING, (450 CFM)	20x16x27.32	59 LB
1008-0306	10 GALLON ALUMINUM SECONDARY W/S.S. DOME LID AND BALL CAGE WITH 4" OPENING, (525 CFM)	20x16x27.32	59 LB

- LATEST TECHNOLOGY  
TOTALLY COMPATIBLE WITH LARGE CFM PUMPS WITH HIGH VELOCITY
- CYCLONE WITH DEFLECTION CHUTE
- STAINLESS STEEL BALL CAGE
- 6" STAINLESS STEEL BALL
- 3" OR 4" HOSE CONNECTIONS
- EASY ACCESS FOR QUICK CLEAN OUT

OPTIONAL STAINLESS STEEL LID & BALL CAGE



#	PART#	DESCRIPTION
REPLACEMENT PARTS		
1	1014-1923	12" ALUM. PRIMARY (LID ONLY) 3"
1	1014-1924	12" ALUM. PRIMARY (LID ONLY) 4"
2	1010-0001	5/8" WING NUT
3	1014-1930	5/8" ALUMINUM WASHER
4	1019-0009	12" HATCH GASKET (BASE TYPE)
5	1089-0002	HOSE CLAMP
6	1089-0001	4" RUB. SEAT FOR 4" SCH. 40 PIPE
7	1076-0000	6" STAINLESS STEEL FLOAT BALL
8	1014-1937	8" STAINLESS STEEL BALL CAGE

#	PART#	DESCRIPTION
REPLACEMENT PARTS		
12	1021-0000-P	ZINC PLATED CLEVIS PIN
13	1021-0000-R	5/32" X 1" ROLL PIN
14	1021-0000-B	5/8" x 5" Eyebolt
15	1008-0310	10 GAL. ALUM. LOWER HALF 3"
15	1008-0312	10 GAL. ALUM. LOWER HALF 4"
16	1000-1391	3/8"-16 X 1 1/2" SS CAP SCREW (304)
17	1000-1101	3/8" SS FLAT WASHER (304)
18	1000-1181	3/8" SS LOCK WASHER (304)
19	1000-1681	3/8"-16 SS HEX NUT (304)
20	1051-0201	2" BRASS CLOSE NIPPLE
21	1042-0000	2" BRASS BALL VALVE

SEE LIST OF OPTIONAL FITTINGS ON PAGES 51, 55 & 62.