

# 2", 3" & 4" MZ PRIMARY SHUTOFFS



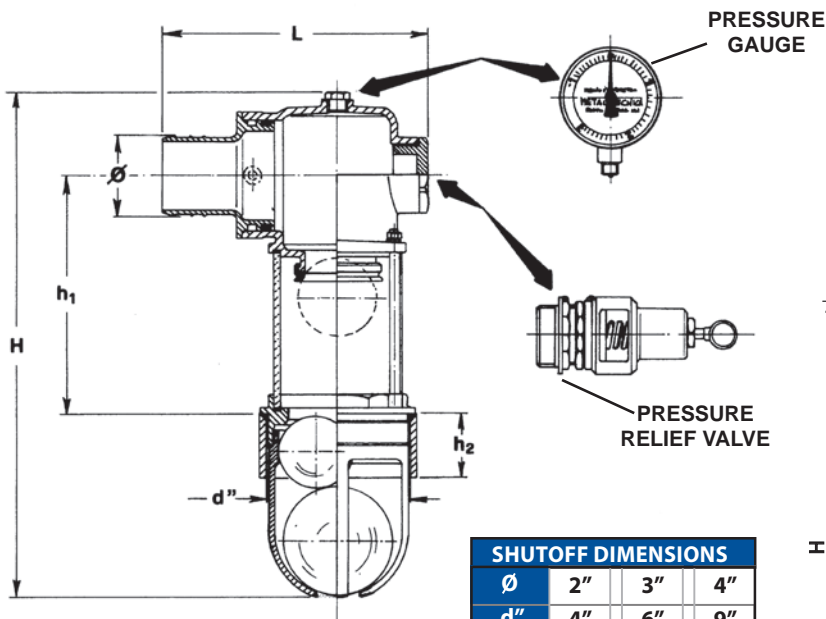
- BRASS CONSTRUCTION WITH STEEL OR ALUMINUM WELD COLLAR
- DOUBLE BALL STOPS ALL BYPASS
- AVAILABLE IN 2", 3", & 4"
- ANTI-FOAMING



PART#	DESCRIPTION
1162-0000 MZ	2" PRIMARY SHUTOFF , (282 CFM CAPACITY) , STEEL WELD COLLAR
1162-1000 MZ	2" ALUM PRIMARY SHUTOFF , (282 CFM CAPACITY) , ALUMINUM WELD COLLAR
1163-0000 MZ	3" MZ PRIMARY SHUTOFF , (282 CFM CAPACITY) , STEEL WELD COLLAR

SEE LIST OF OPTIONAL FITTINGS ON PAGE 38 & 55.

## 2" & 3" PRIMARY SHUTOFF



SHUTOFF DIMENSIONS			
Ø	2"	3"	4"
d"	4"	6"	9"
H	16"	19"	23"
h1	7"	8.5"	7"
h2	2"	2.5"	2.5"
L	8"	9.5"	4.5"
Lbs	11	19	32

## 4" PRIMARY SHUTOFF

