



CHANDLER EQUIPMENT

Manufactured Component Catalog

v1.0



**ARMSTRONG
EQUIPMENT
INC.**

Proud distributor of Chandler Equipment products

800-699-7557

11200 Greenstone Ave • Fax: 562-944-3636

www.vacpump.com



C.E.I.

Commitment. Excellence. Integrity.

Chandler Equipment Inc. is committed to our customers by providing the industry with unmatched customer service and the highest quality products in the marketplace.

Since 1978, Chandler Equipment, Inc. (CEI) has been committed to supplying our customers with the highest quality products available. CEI was founded as an agriculture equipment manufacturer & distributor and has evolved to be one of the leading suppliers of vacuum pumps, valves, liquid transport trailer components, and frac tank components. Our state of the art manufacturing and distribution facility allows us to meet the needs of our customers by providing exceptional service and quality. As industry leaders, we are constantly striving to provide our customers with the broadest range of products and the most up to date technology available.



CHANDLER EQUIPMENT

Manufactured Component Catalog



Hatches & Manways

Page 4-9



Frac Tank Components

Page 9



Tank Component Accessories + Parts

Page 10



Primary Shutoffs

Page 12-15



Secondary Shutoffs

Page 16-21



Final Filters

Page 21-23



Mufflers

Page 24-25



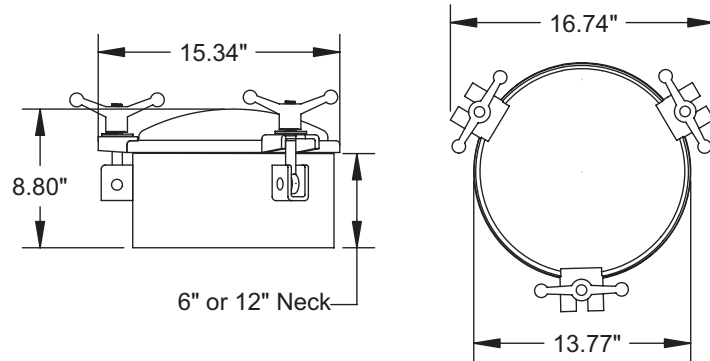
Muffler Accessories

Page 26

Hatches & Manways

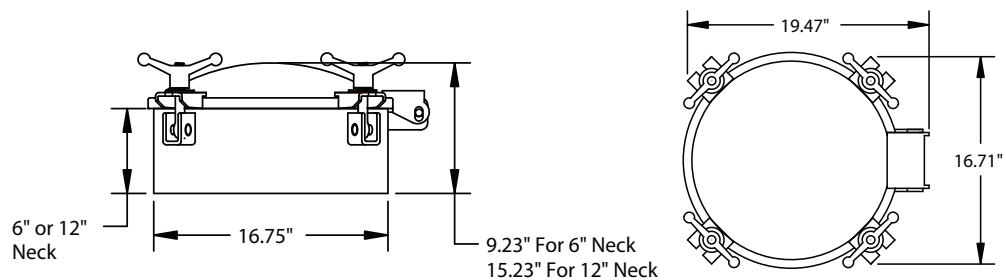
8" - 12" Hatch

Part #	Description
1014-0120	8" Hatch With 6" Neck - 1/4" Base - 2" Wingnut (Gasket in Lid)
1010-0050	12" Hatch With 6" Steel Neck - 1/4" Base (Gasket in Lid)
1010-0054	12" Hatch With 12" Steel Neck - 1/4" Base (Gasket in Lid)
1010-0056	12" Stainless Hatch With 6" Stainless Steel Neck, 304 - 1/4" Base (Gasket in Lid)
1010-0057	12" Stainless Hatch With 12" Stainless Steel Neck, 304 - 1/4" Base (Gasket in Lid)
1010-0058	12" Stainless Hatch With 6" Aluminum Neck, 6061 - 1/4" Base (Gasket in Lid)



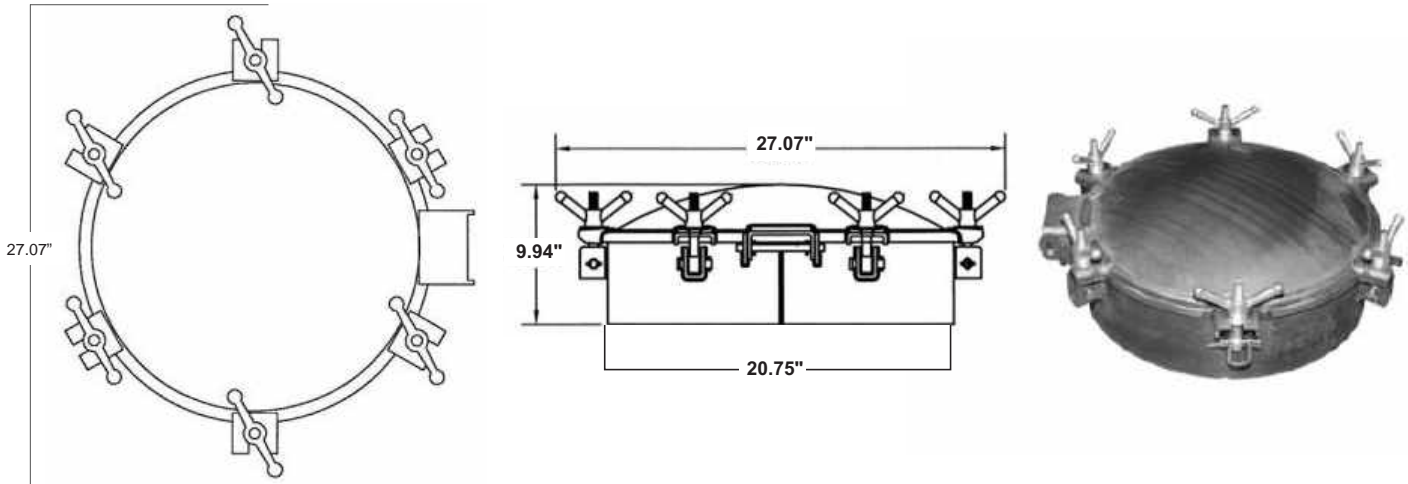
17" Manway

Part #	Description
1010-0060	17" Manway With 6" Neck, 4 Wing Nut Lid - 1/4" Base (Gasket in Lid)
1010-0064	17" Manway With 12" Neck, 4 Wing Nut Lid - 1/4" Base (Gasket in Lid)



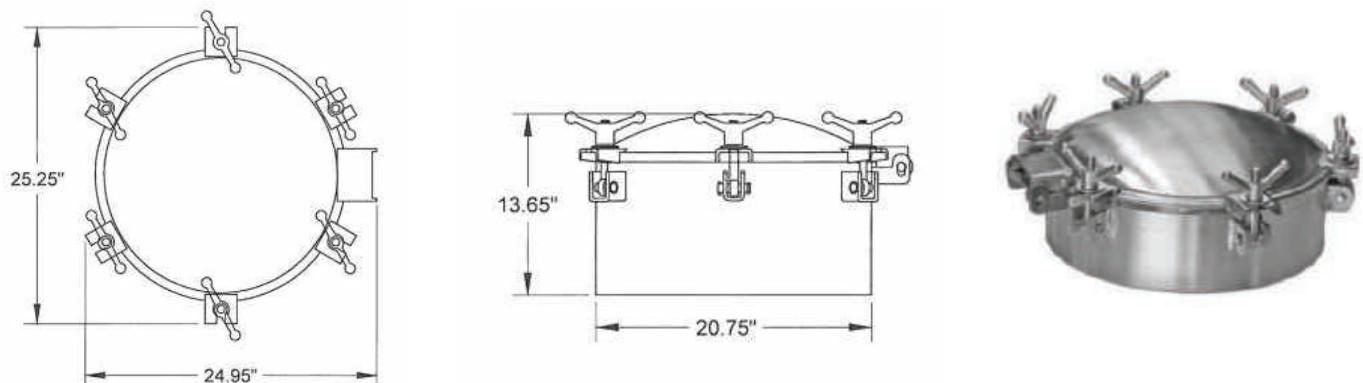
20" Manway (5 or 6 Wingnut)

Part #	Description
1010-7000	20" Manway With 6" Neck, 6 Wing Nut Lid - 1/4" Base (Gasket in Lid)
1010-7400	20" Manway With 12" Neck, 6 Wing Nut Lid - 1/4" Base (Gasket in Lid)
1010-7003	20" Manway With 6" Neck, 5 Wing Nut Lid - LHH -1/4" Base (Gasket in Lid)



20" Aluminum Manway

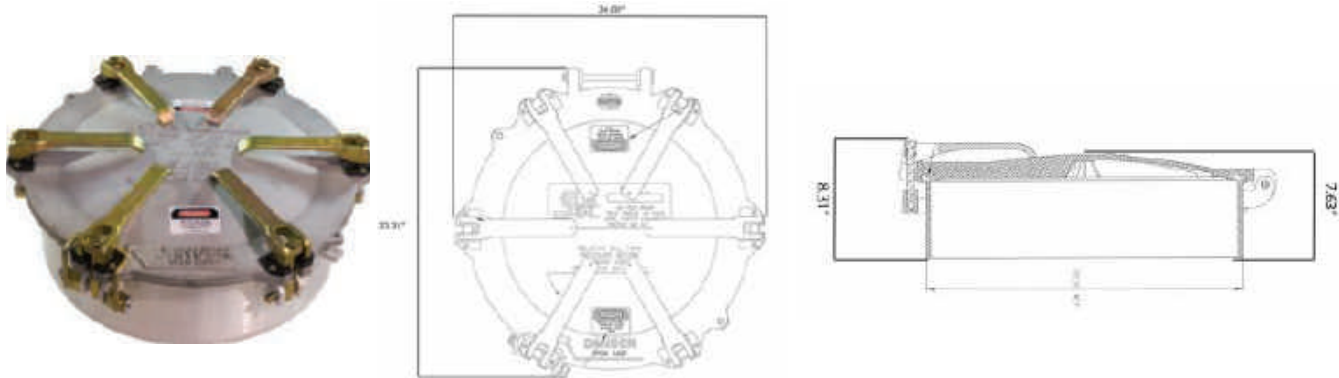
Part #	Description
1010-9008	20" Stainless Steel Manway, 6" Aluminum Neck - 1/4" Aluminum Base (Gasket in Lid)
1010-9009	20" Stainless Steel Manway, 10" Aluminum Neck - 1/4" Aluminum Base (Gasket in Lid)
1010-9010	20" Stainless Steel Manway, 12" Aluminum Neck - 1/4" Aluminum Base (Gasket in Lid)
1010-9007	20" Stainless Steel Manway, 15" Aluminum Neck - 1/4" Aluminum Base (Gasket in Lid)
1010-9032	20" Stainless Steel Manway, 6" Stainless Steel Neck - 1/4" Type 304 Stainless Steel Base (Gasket in Lid)
1010-9033	20" Stainless Steel Manway, 12" Stainless Steel Neck - 1/4" Type 304 Stainless Steel Base (Gasket in Lid)



Hatches & Manways

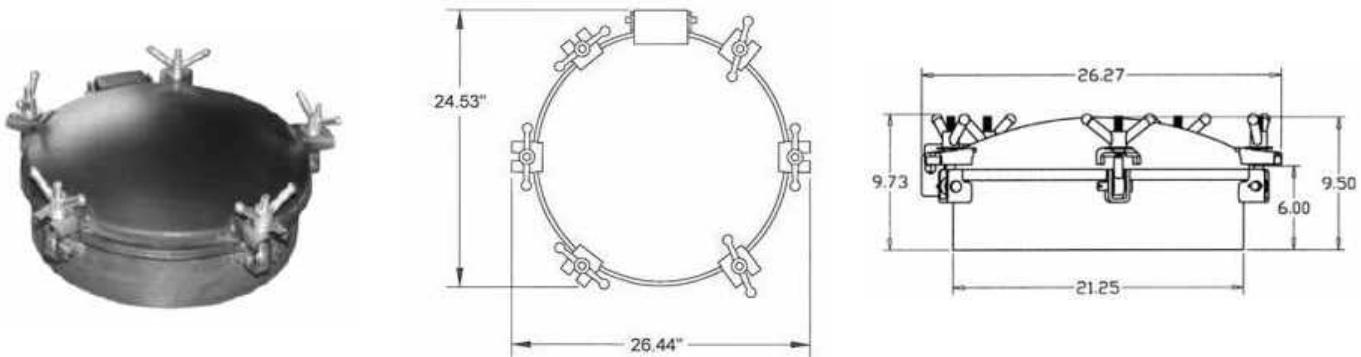
20" Manway (Cam Lever Lid)

Part #	Description
1010-0045	20" Manway With 6" Aluminum Neck, 6 Cam Lever Lid (Gasket in Lid)
1010-3012	20" Manway With 12" Aluminum Neck, 6 Cam Lever Lid (Gasket in Lid)
1010-0031	20" Manway With 6" 304 Stainless Steel Neck, 6 Cam Lever Lid (Gasket in Lid)
1010-0035	20" Manway With 6" Mild Steel Neck, 6 Cam Lever Lid (Gasket in Lid)
1010-0037	20" Manway With 12" Mild Steel Neck, 6 Cam Lever Lid (Gasket in Lid)



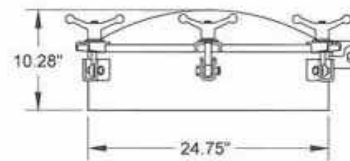
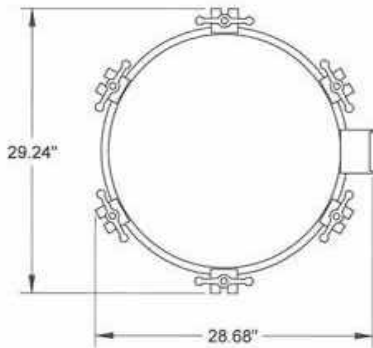
21" Manway

Part #	Description	L x W x H
5 WINGNUT LEFT HAND HINGE TYPE		
1010-0024	21" Manway With 6" Neck, 1/4" Base (Gasket in Neck)	27x27x10.5
1011-0024	21" Manway With 12" Neck, 1/4" Base (Gasket in Neck)	27x27x16.5
5 WINGNUT RIGHT HAND HINGE TYPE		
1010-0027	21" Manway With 6" Neck, 1/4" Base (Gasket in Neck)	27x27x10.5
1011-0027	21" Manway With 12" Neck, 1/4" Base (Gasket in Neck)	27x27x16.5
6 WINGNUT		
1010-0020	21" Manway With 6" X 1/4" Neck, 6 Wing Nut Lid- 22" O.D. (Gasket in Neck)	27x27x10.5
1010-0021	21" Manway With 12" X 1/4" Neck, 6 Wing Nut Lid (Gasket in Neck)	27x27x16.5



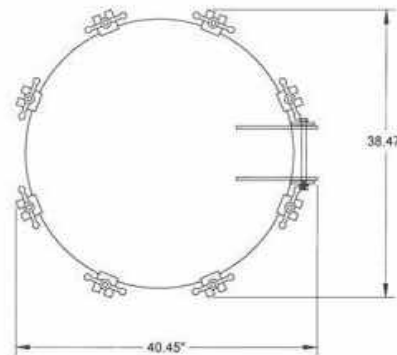
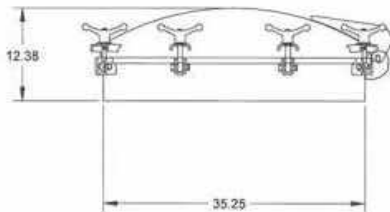
25" Manway (5 or 6 Wingnut)

Part #	Description
1010-8000	25" Manway With 6" Neck, 6 Wing Nut Lid - 1/4" Base (Gasket in Lid)
1010-8100	25" Manway With 6" Neck, 6 Wing Nut Lid - 1/4" Base Type 304 Stainless Steel (Gasket in Lid)
1010-0084	25" Manway With 12" Neck, 6 Wing Nut Lid - 1/4" Base (Gasket in Lid)
1010-8200	25" Manway With 6" Neck, 5 Wing Nut Lid, Left Hand Hinge - 1/4" Base (Gasket in Lid)
1010-0085	25" Manway With 12" Neck, 5 Wing Nut Lid, Left Hand Hinge - 1/4" Base (Gasket in Lid)



36" Aluminum Manway (8 Wingnut)

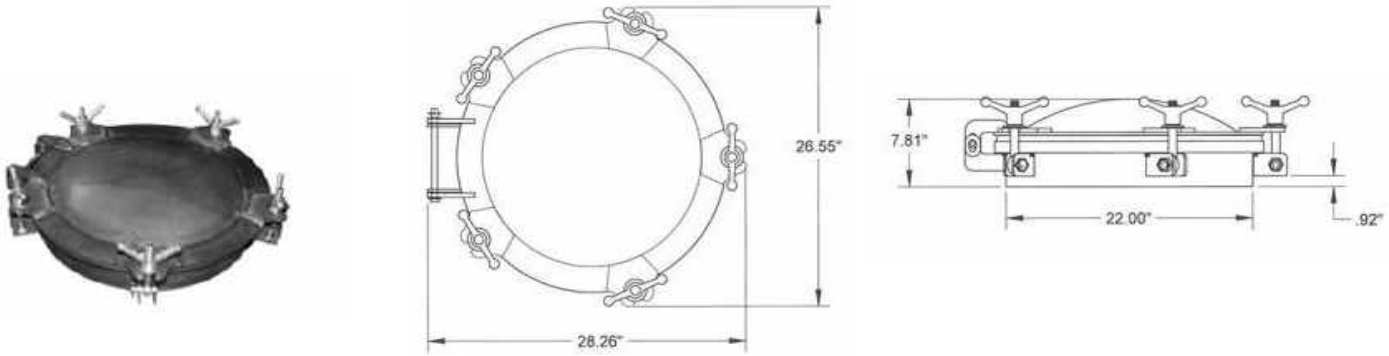
Part #	Description
1012-0000	36" Manway With 6" Neck, 8 Wing Nut Lid, 1/4" Base (Gasket in Neck)
1012-0000-304	36" Manway With 6" Neck, 8 Wing Nut Lid, 1/4" Base Type 304 Stainless Steel (Gasket in Neck)
1013-0000	36" Manway With 12" Neck, 8 Wing Nut Lid, 1/4" Base (Gasket in Neck)
1013-0000-304	36" Manway With 12" Neck, 8 Wing Nut Lid, 1/4" Base Type 304 Stainless Steel (Gasket in Neck)



Hatches & Manways

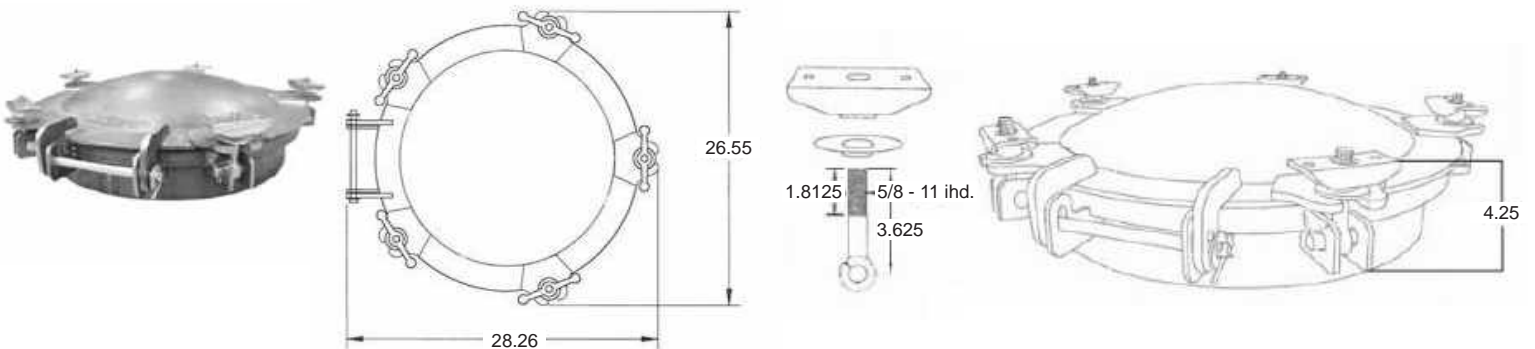
22" Manway (5 Wing Nut, 5/8" Hardware)

Part #	Description
1021-5804	22" x 4" Nk 5 Wingnut Manway- 5/8" Hardware (Gasket in Neck)
1021-5804-316	22" x 4" Nk 5 Wingnut Manway- 5/8" Hardware Type 316 Stainless Steel (Gasket in Neck)
1021-5808	22" x 8" Nk 5 Wingnut Manway - 5/8" Hardware (Gasket in Neck)



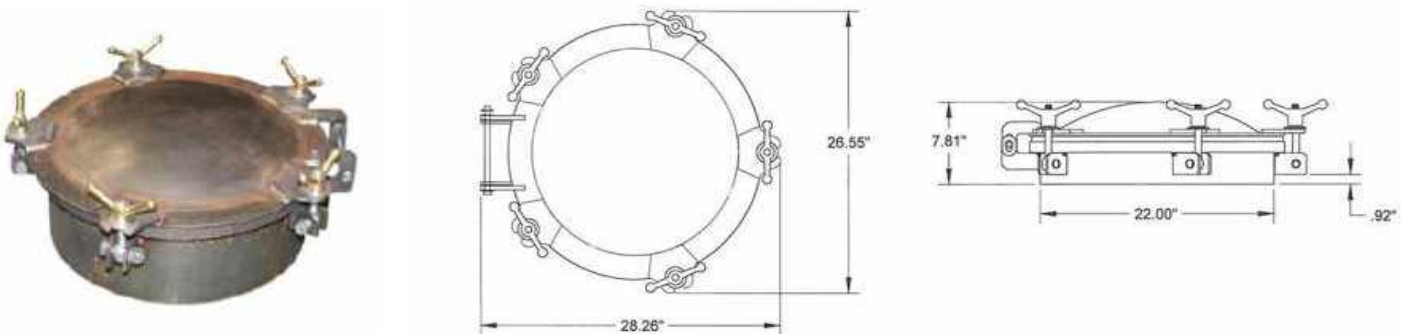
22" Manway (Low Profile 5 Wing Nut, 5/8" Hardware)

Part #	Description
1021-6804	22" x 4" Nk 5 Wingnut Manway (Low Profile - 5/8" Hardware) (Gasket in Neck)



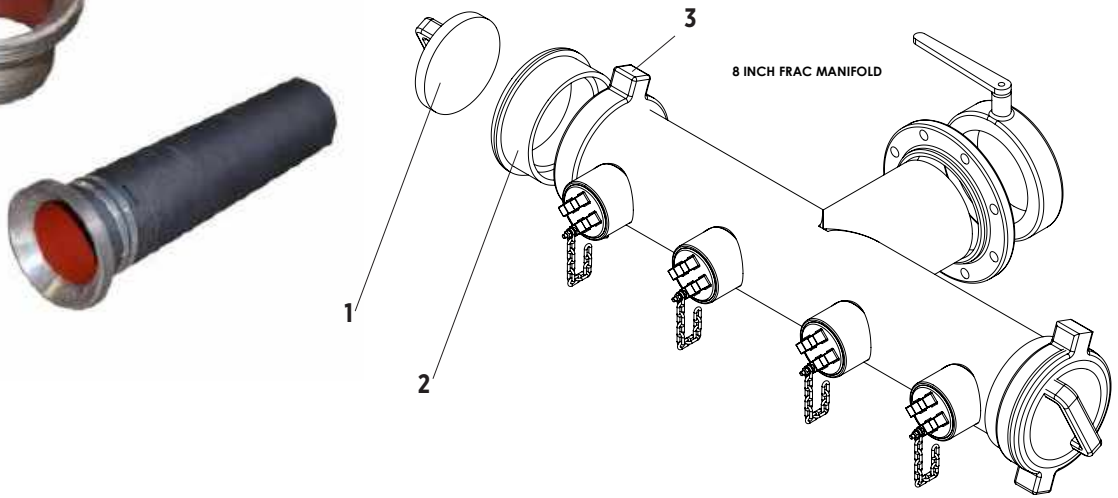
22" Manway (5 Wing Nut, 3/4" Hardware)

Part #	Description
1021-2404	22"x 4" Nk -5 Wingnut Manway (3/4" Hardware) (Gasket in Neck)
1021-2408	22"x 8" Nk -5 Wingnut Manway (3/4" Hardware) (Gasket in Neck)





Part #	Description
Standard 3-PC Union - 6"	
2028-0060	6" Standard 3-PC Union
2028-0061	6" Threaded Cap With Handle For Frac Tank Union
2028-0062	6" Weld-On Sub Tank For Frac Tank Union
2028-0063	6" Hammer Nut For Frac Tank Union
Standard 3-PC Union - 8"	
2029-0080	8" Standard 3-PC Union
2029-0081	8" Threaded Cap With Handle For Frac Tank Union
2029-0082	8" Weld-On Tank Sub For Frac Tank Union
2029-0083	8" Hammer Nut For Frac Tank Union
Standard Frac Hose Sub Fitting 6" & 8"	
2028-0100	6" Hose Fitting (Threaded With Barb End) For Frac Tank Manifold
2029-0100	8" Hose Fitting (Threaded With Barb End) For Frac Tank Manifold
6" Frac Hose Assembly With Standard Sub Fittings	
2028-5043	6" x 43" Frac Hose Assembly With Standard Threaded Ends
2028-5051	6" x 51" Frac Hose Assembly With Standard Threaded Ends
8" Frac Hose Assembly With Standard Sub Fittings	
2029-5043	8" x 43" Frac Hose Assembly With Standard Threaded Ends
2029-5051	8" x 51" Frac Hose Assembly With Standard Threaded Ends
6" Frac Hose	
2028-6020	6" Frac Hose - 20FT Sections (Sold Per Foot)
8" Frac Hose	
2029-0040	8" x 40" Frac Hose (Sold Per Piece)
2029-0048	8" x 48" Frac Hose (Sold Per Piece)



Call for crate quantity pricing!

Component Parts



Part #	Description
Wingnut Assemblies	
1010-0100	5/8" Standard Wing Nut Assembly
1010-0002	5/8" Greaseable Wingnut Assembly
1021-2410	3/4" Wing Nut Assembly
Gaskets & Gasket Material	
1021-0100	5/8" Square Gasket (Per Foot)
1021-0101	5/8" Square Gasket Viton (Per Foot)
1021-0010	3/8" Round Gasket (Per Foot)
1019-0009	Neck Gasket for 12" Hatch/Final Filter/Primary
1019-0008	Lid Gasket For 12" Hatch
1019-0010	Gasket For 17" Manway
1010-3919	Gasket For 20" Knappco Aluminum Manway (Old)
1010-9821	Gasket For 20" Knappco Aluminum Manway (New)
1019-0011	Gasket For 20" Manway
1010-3922	Gasket For 20" Manway (Viton)
1010-0009	Gasket For 21" Manway
1021-2402	D-Shape Gasket For 22" Manway
1019-0012	Gasket For 25" Manway
1012-0005	Gasket For 36" Manway
1021-0010	Gasket For 2" and 3" Steel Primary (Per Foot)
1151-0100	Gasket For 2 Gallon Secondary
1153-1000	Gasket For 4-5 Gallon Secondary
Stainless Steel Balls	
1074-0000	3" Stainless Steel Float Ball
1075-0000	4" Stainless Steel Float Ball
1076-0000	6" Stainless Steel Float Ball
1076-0002	6" Stainless Steel Float Ball With 5/16" Hole
2076-0150	6" Weighted Stainless Steel Float Ball
1076-0003	8" Stainless Steel Float Ball
1076-0004	8" Stainless Steel Float Ball With 1/2" Hole
1076-0015	8" Stainless Steel Float Ball With 5/8" Spud Nut
1076-0005	8" Stainless Steel Float Ball With 5/8" Hole
Rubber Balls & Plastic Float Balls	
1077-0000	3" Rubber Float Ball
1078-0000	4" Rubber Float Ball
1079-0000	3" Plastic Float Ball
1080-0000	4" Plastic Float Ball
1091-0003	6" Plastic Float Ball With 5/16" Foam-Filled Hole
Seats & Clamps	
1089-0000	3" Rubber Seat (fits 3" OD Pipe With Flare) (Available in Viton)
1090-0000	3.5" Clamp-on Rubber Seat (fits 3.5" OD Pipe)
1089-0001	4" Rubber Seat (fits 4.5" OD Pipe) (Available in Viton)
1089-0003	6" Rubber Seat (fits 6 5/8" OD Pipe)
1090-0001	Clamp For 1090-0000 Seat
1089-0002	Clamp For 1089-0001 Seat

Weldable Elbows

Part #	Description
1014-0004	2" Weldable Elbow, Short Radius
1014-0005	3" Weldable Elbow, Short Radius
1014-0081	4" Weldable Elbow, Short Radius
1014-0006	6" Weldable Elbow, Short Radius



Weldable Hose Shank

Part #	Description
1014-0002	2" Weldable Hose Shank
1014-0003	3" Weldable Hose Shank
1014-0008	4" Weldable Hose Shank
1014-0009	6" Weldable Hose Shank



Super Heavy Duty T-Bolt Hose Clamp

Part #	Description
1072-0000	2" T-Bolt Hose Clamp (200 Per Case)
1071-0000	3" T-Bolt Hose Clamp (100 Per Case)
1070-0000	4" T-Bolt Hose Clamp (100 Per Case)
1069-0000	6" T-Bolt Hose Clamp (80 Per Case)



Weldable Pipe Nipple

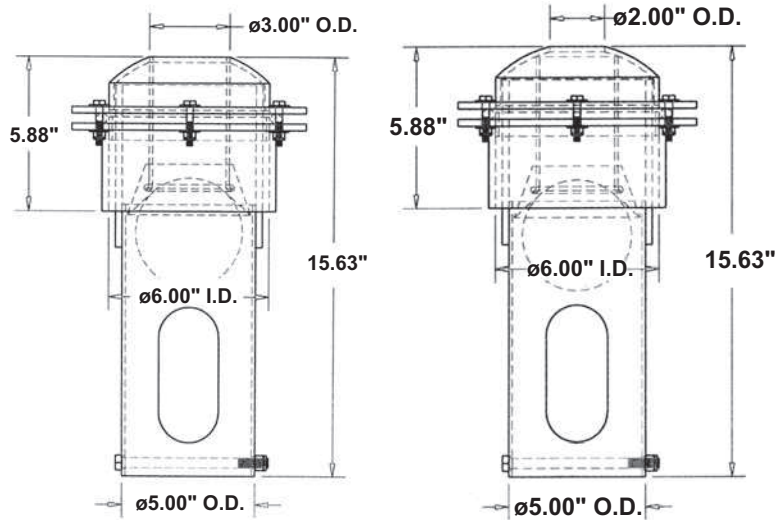
Part #	Description
1053-0001	2" NPT Weldable Pipe Nipple x 2" Blank
1051-0001	3" NPT Weldable Pipe Nipple x 2" Blank
1052-0001	4" NPT Weldable Pipe Nipple x 4.5" Blank
1054-0000	6" NPT Weldable Pipe Nipple x 6" Blank
* 1000-1001	Fabrication Charge for each Weld-On Fitting



Primary Shutoffs

6" Steel Primary Shutoffs

Part #	Description	L x W x H
1033-0001	Steel Primary With 2" Opening, (125 CFM)	9 x 9 x 16
1034-0001	Steel Primary With 3" Opening, (235 CFM)	9 x 9 x 16



2" & 3" MZ Primary Shutoffs



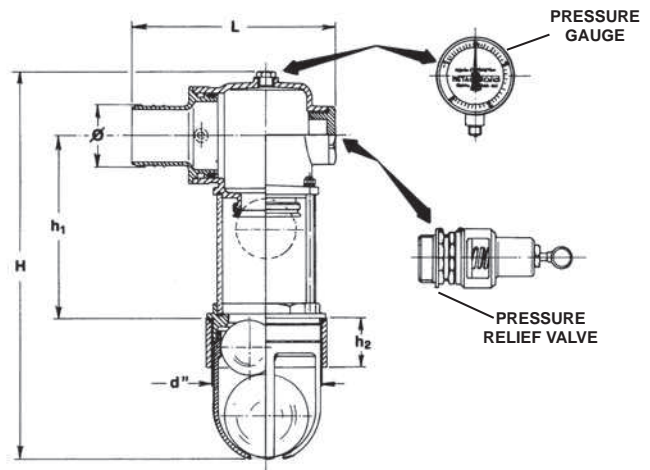
Part #	Description
1162-0000 MZ	2" Primary Shutoff , (235 CFM Capacity) , Steel Weld Collar
1162-1000 MZ	2" Aluminium Primary Shutoff , (235 CFM Capacity) , Aluminum Weld Collar
1163-0000 MZ	3" MZ Primary Shutoff , (235 CFM Capacity) , Steel Weld Collar



DIMENSIONS

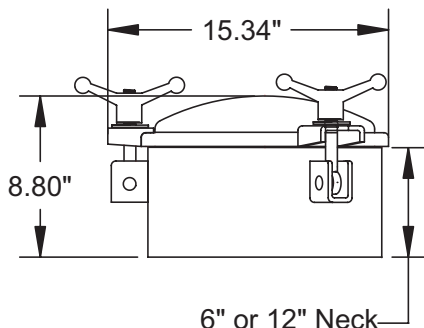
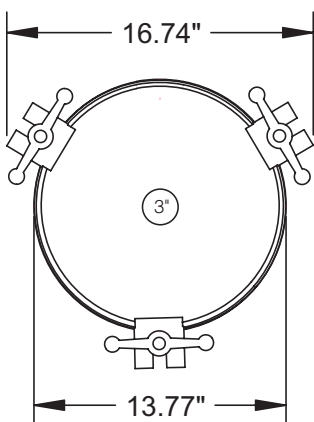
	2"	3"
Ø	2"	3"
d"	4"	6"
H	16"	19"
h1	7"	8.5"
h2	2"	2.5"
L	8"	9.5"
Lbs	11	19

2" & 3" PRIMARY SHUTOFF



8" - 12" Primary Shutoff

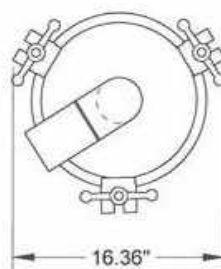
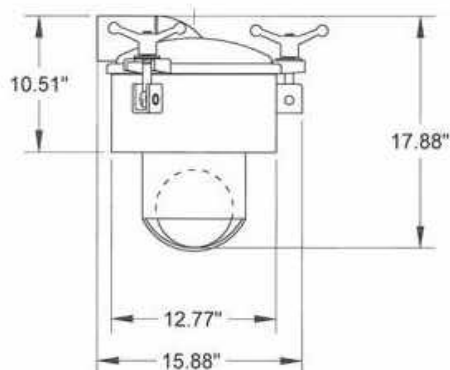
Part #	Description	L x W x H
1014-0115	8" Primary With 6" Neck & 3" Opening, (235 CFM)	-
1014-0000	12" Primary With 6" Neck & 3" Opening, (385 CFM)	18 x 18 x 17
1014-0012	12" Primary With 6" Neck & 4" Opening, (450 CFM)	18 x 18 x 17
1014-0015	12" Primary With 6" Neck & 6" Threaded Opening	18 x 18 x 17



12" Low Profile Primary

This item can also be special ordered with a 12" neck. Please call for details.

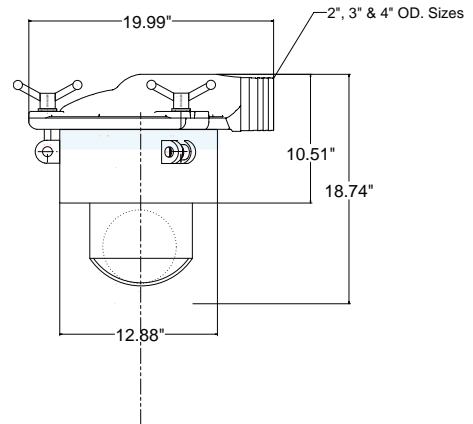
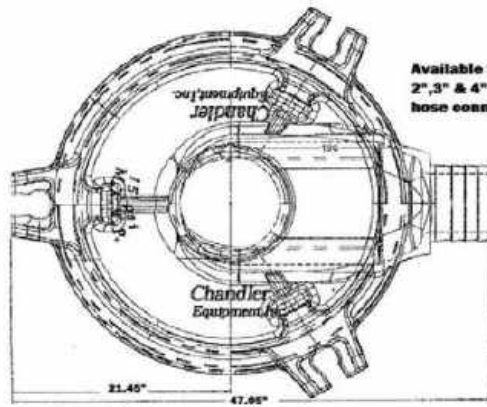
Part #	Description
1014-0900	12" Low Profile Primary Shutoff With 6" Neck Equipped With 3" Pipe With Opening, (385 CFM)
1014-0901	12" Low Profile Primary Shutoff With 6" Neck Equipped With 3" NPT Threads, (385 CFM)
1014-0901 HS	12" Low Profile Primary Shutoff With 6" Neck Equipped With 3" Hose Shank, (385 CFM)
1014-0910	12" Low Profile Primary Shutoff With 6" Neck Equipped With 4" Pipe With Opening, (450 CFM)
1014-0911	12" Low Profile Primary Shutoff With 6" Neck Equipped With 4" NPT Threads, (450 CFM)
1014-0914	12" Low Profile Primary Shutoff With 6" Neck Equipped With 4" Pipe & Opening (Includes 10" Ball Cage & 8" Stainless Steel Ball)



Primary Shutoffs

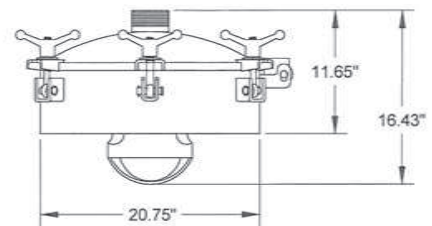
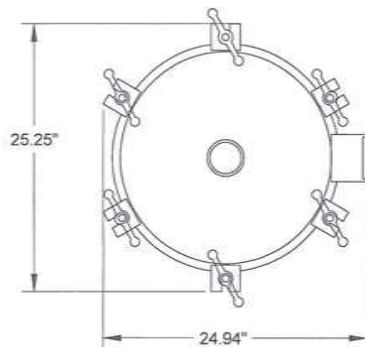
12" Aluminum Low Profile

Part #	Description
1014-1910	12" Aluminum Primary, 6" Steel 1/4" Neck With 2" Hose Connection, (235 CFM)
1014-1907	12" Aluminum Primary, 6" Aluminum 1/4" Neck Type 6061 With 2" Hose Connection, (235 CFM)
1014-1908	12" Aluminum Primary, 6" Stainless Steel 1/4" Neck Type 304 With 2" Hose Connection, (235 CFM)
1014-1916	12" Aluminum Primary, 6" Steel 1/4" Neck With 3" Hose Connection, (235 CFM)
1014-1913	12" Aluminum Primary, 6" Aluminum 1/4" Neck Type 6061 With 3" Hose Connection, (385 CFM)
1014-1914	12" Aluminum Primary, 6" Stainless Steel 1/4" Neck Type 304 With 3" Hose Connection, (385 CFM)
1014-1921	12" Aluminum Primary, 6" Steel 1/4" Neck With 4" Hose Connection, (450 CFM)
1014-1918	12" Aluminum Primary, 6" Aluminum 1/4" Neck Type 6061 With 4" Hose Connection, (450 CFM)
1014-1919	12" Aluminum Primary, 6" Stainless Steel 1/4" Neck Type 304 With 4" Hose Connection, (450 CFM)



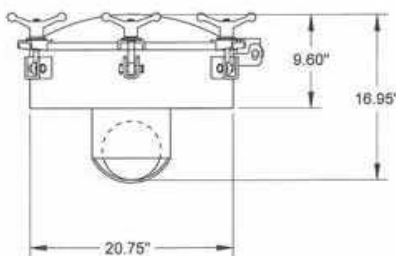
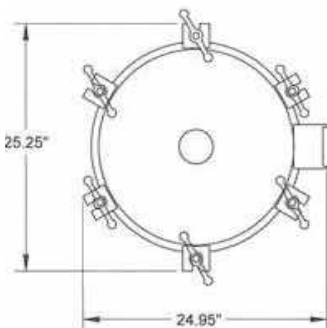
20" Aluminum Primary Shutoff

Part #	Description
1010-9015	20" Stainless Steel Primary With 6" Aluminum Neck, 3" NPT Stainless Steel, (470 CFM)
1010-9016	20" Stainless Steel Primary With 10" Aluminum Neck, 3" NPT, (470 CFM)
1010-9016-04	20" Stainless Steel Primary With 10" Aluminum Neck, 4" NPT, (595 CFM)



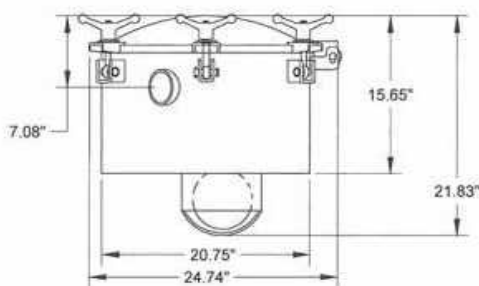
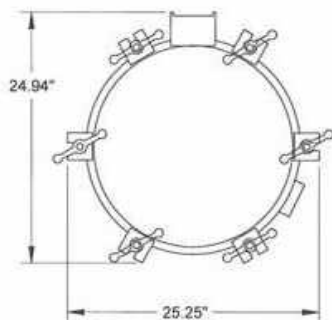
20" Primary Shutoff, 6" Neck

Part #	Description	W x H
1010-0026-DP	20" Primary Shutoff With 6" Neck-3" Opening, (470 CFM)	27 X 17
1010-0018-DP	20" Primary Shutoff With 6" Neck-4" Opening, (595 CFM)	27 X 17



20" Primary Shutoff, 12" Neck

Part #	Description	W x H
1010-7403	20" Primary With 12" Neck & 1/4" Base With 3" Side Opening Gasket In The Lid Design, (470 CFM)	26.5 x 16
1010-7404	20" Primary With 12" Neck & 1/4" Base With 4" Side Opening Gasket In The Lid Design, (595 CFM)	26.5 x 16



Vacuum & Pressure Gauges

Part #	Description
1025-0001	4.5" Standard Vacuum Pressure Gauge, (PSI -30 to +30)
1026-0000	2 1/2" Liquid Filled Vacuum Pressure Gauge, (PSI -30 to +30)
1027-0000	4" Liquid Filled Vacuum Pressure Gauge, (PSI -30 to +30)
1026-0100	2 1/2" Back-Mount Liquid Filled Vacuum Pressure Gauge, (PSI -30 to +30)

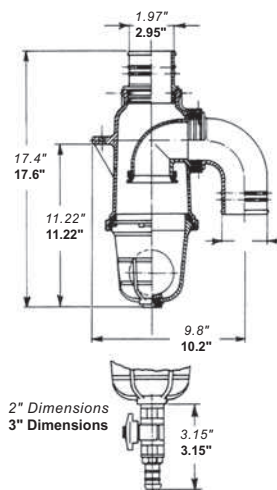


Secondary Shutoffs

2-3" MZ Secondary Shutoffs



Part #	Description	L x W x H
1147-0000 MZ	2" Plastic Secondary Shutoff, (235 CFM)	10.5x6.5x20.5
1148-0000 MZ	3" Plastic Secondary Shutoff, (325 CFM)	11.5 x 6.5 x 21



Industrial Hose

Longhorn Petroleum Transfer Hose

Recommended for transfer of refined fuels (commercial gasoline, diesel, and bio-diesel fuel), oils, and other petroleum products. Ideal for oil field service truck use. Transfer hoses are designed for intermittent contact with refined fuels and must be drained after use. **150 PSI, sold in 100' bulk rolls.**

Part #	Description	Outer Diameter
4688-1305	1" Longhorn Petroleum Transfer Hose	2.52"
4688-1308	2" Longhorn Petroleum Transfer Hose	2.52"
4688-1310	3" Longhorn Petroleum Transfer Hose	3.58"
4688-1311	4" Longhorn Petroleum Transfer Hose	4.62"



Super-Vac Petroleum Transfer Hose

Recommended for tank truck service, including oil field vacuum trucks. Ideal for handling crude oil, salt and fresh water, tank bottoms, drilling mud, dilute solutions of hydrochloric acids, diesel fuels, and sewage transfer. **150 PSI, sold in 100' bulk rolls.**

Part #	Description	Outer Diameter
4688-0665	2" Super-Vac Petroleum Transfer Hose	2.47"
4688-0680	3" Super-Vac Petroleum Transfer Hose	3.52"
4688-0690	4" Super-Vac Petroleum Transfer Hose	4.52"



Barracuda Water Hose

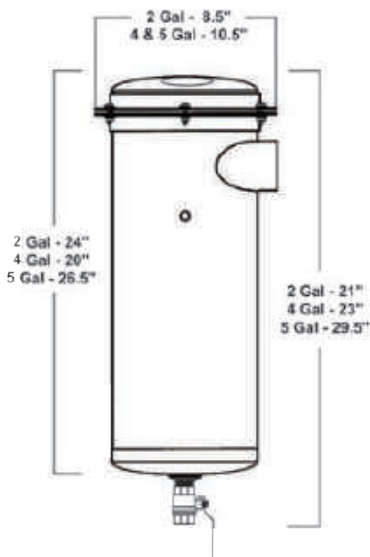
Recommended for medium to light duty water suction / discharge for agricultural, construction and industrial applications. EPDM tube designed to handle a variety of liquids including Lasso™, Lasso II™, and Freedom™. Great for sanitation lines in marine applications. **150 PSI, sold in 100' bulk rolls.**

Part #	Description	Outer Diameter
4686-0200	2" Barracuda Water Hose	2.36"
4686-0201	3" Barracuda Water Hose	3.54"
4686-0202	4" Barracuda Water Hose	4.54"



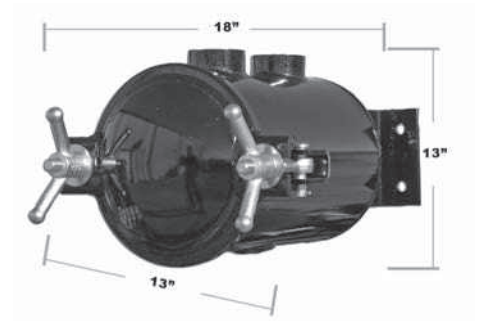
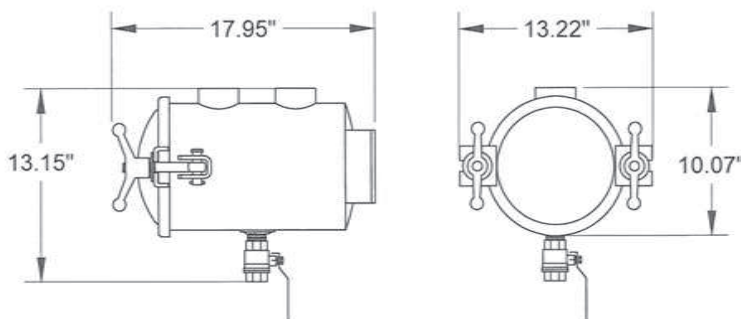
2, 4, & 5 Gallon Secondary Shutoff

Part #	Description	L x W x H
1151-0015	2 Gallon Secondary Shutoff, 1.5" Threads, (125 CFM)	9 x 9 x 21
1151-0000	2 Gallon Secondary Shutoff, 2" Opening, (125 CFM)	9 x 9 x 18
1152-0000	4 Gallon Secondary Shutoff 3" Opening, (225 CFM)	10.5x10.5x20
1153-0000	5 Gallon Secondary Shutoff 3" Opening, (325 CFM)	10.5x10.5x26
1153-0000-2D	5 Gallon Secondary Shutoff 3" Opening, 2" Drain (325 CFM)	10.5x10.5x26



Port-A-Trap 2 Gallon Horizontal Secondary Shutoff

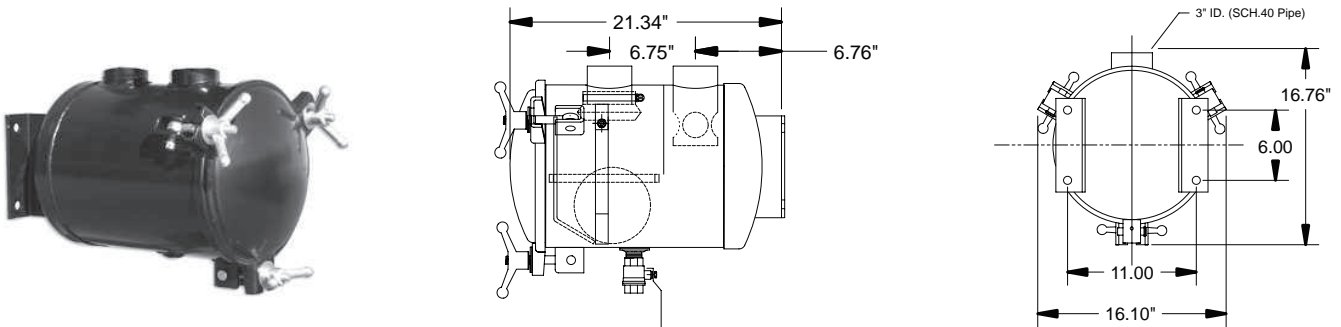
Part #	Description	L x W x H
1008-0501	Port-A-Trap 2 Gallon Horizontal Secondary, 1.5" Opening , (215 CFM)	18 x 13 x 13
1008-0500	Port-A-Trap 2 Gallon Horizontal Secondary, 2" Opening , (250 CFM)	18 x 13 x 13



Secondary Shutoffs

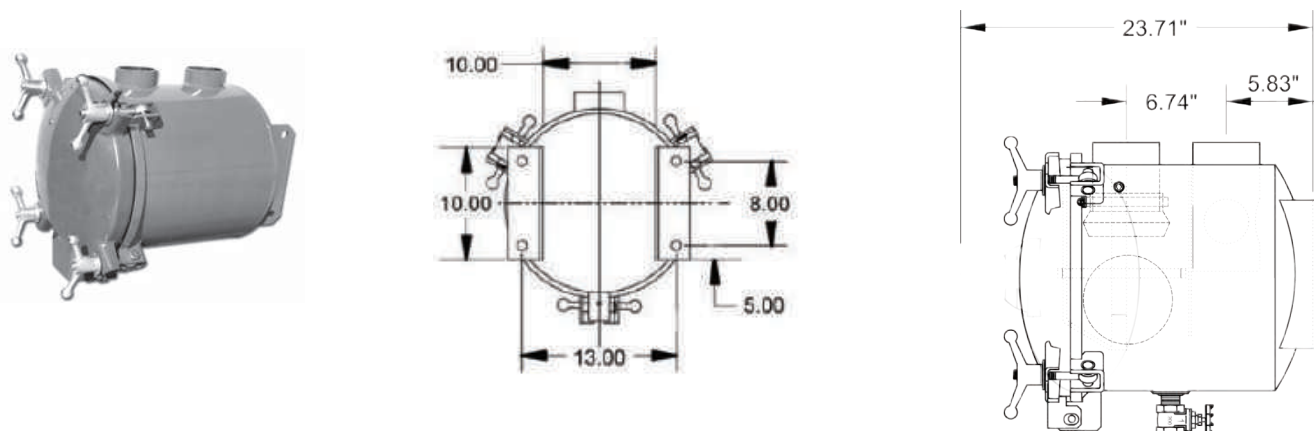
10 Gallon Horizontal Secondary Shutoff

Part #	Description	L x W x H
1008-0102	10 Gallon Horizontal Secondary, 3" Opening , (375 CFM)	22.2 x 16 x 16



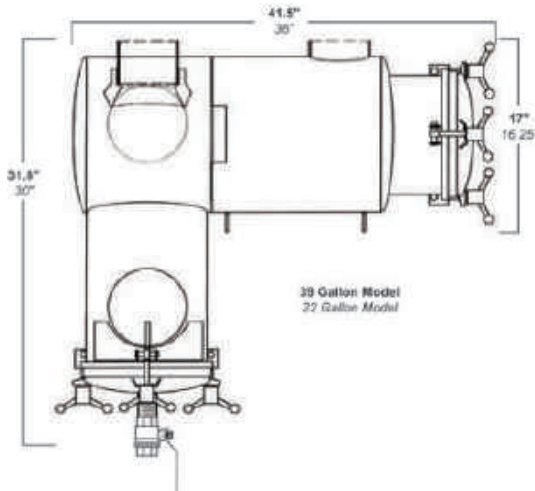
14 Gallon Horizontal Secondary Shutoff

Part #	Description	L x W x H
1008-0063	14 Gallon Horizontal Secondary Without Sight Eye, 3", (595 CFM)	25 x 17 x 20
1008-0062	14 Gallon Horizontal Secondary Without Sight Eye, 4", (595 CFM)	25 x 17 x 20



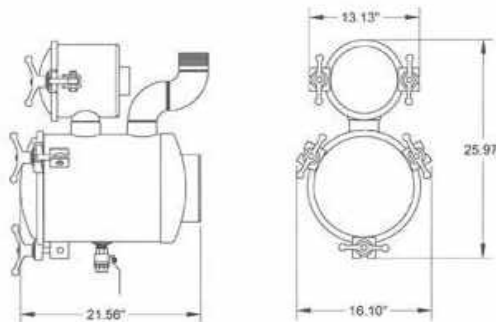
22 & 39 Gallon Secondary Shutoffs

Part #	Description	L x W x H
1008-0022	22 Gallon Secondary Shutoff With 4" Opening, (850 CFM)	41.5 x 18 x 30
1008-0030	39 Gallon Secondary Shutoff With 6" Opening, (1350 CFM)	45.5 x 18 x 38.75



Final Filter Horizontal Secondary Combo

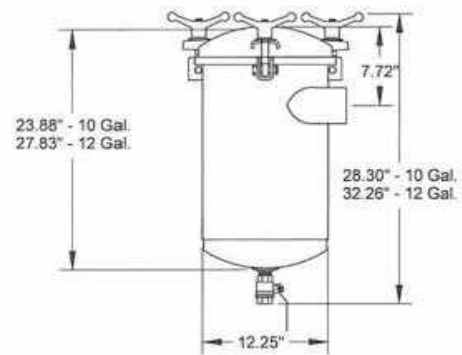
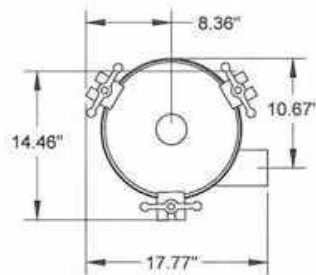
Part #	Description	L x W x H
1008-0105	10 Gallon Horizontal Secondary, 2" Final Filter, (250 CFM), 2" NPT	21 x 16 x 26.5
1008-0106	10 Gallon Horizontal Secondary, 3" Final Filter, (375 CFM), 3" NPT	21 x 16 x 26.5
1008-0109	Mounting Bracket (Weld On Bracket Used To Attach 1008-0105 And 1008-0106 To Pump Stand)	13.5 x 11 x 2



Secondary Shutoffs

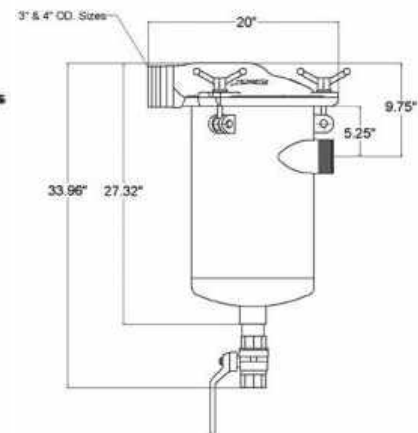
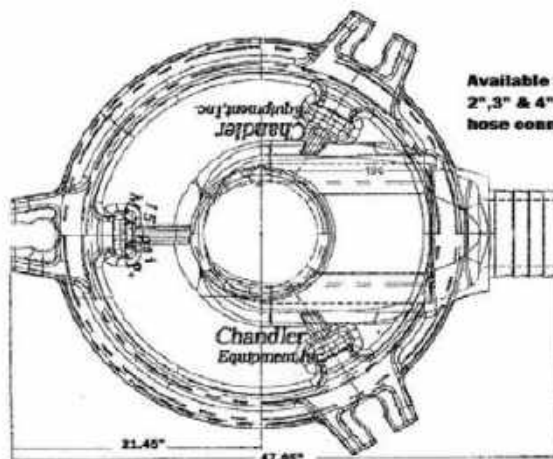
10-12 Gallon Secondary Shutoff

Part #	Description	L x W x H
1008-0019	10 Gallon Secondary With 3" Opening, (385 CFM)	18 x 18 x 28
1008-0017	10 Gallon Secondary With 3" NPT, (385 CFM)	18 x 18 x 28
1008-0012	12 Gallon Secondary with 3" NPT G-Lid	
1008-0200	10 Gallon Secondary With 3" Opening, (385 CFM) With 304 Stainless Steel	
1008-0013	12 Gallon Secondary With 4" Opening, (450 CFM)	18 x 18 x 32
1008-0015	12 Gallon Secondary With 4" NPT, (450 CFM)	18 x 18 x 32



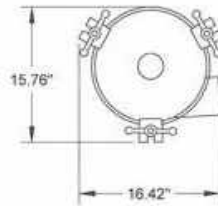
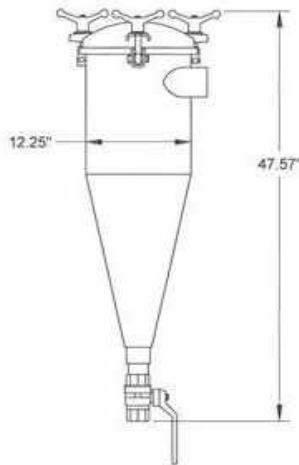
Aluminum Secondary Shutoffs

Part #	Description	L x W x H
1008-0300	10 Gallon Aluminum Secondary With 3" Hose Barb, Cast Aluminum Lid, 3" NPT On Side, (385 CFM)	20x16x27.32
1008-0304	10 Gallon Aluminum Secondary With 4" Hose Barb, Cast Aluminum Lid, 4" NPT On Side, (450 CFM)	20x16x27.32
1008-0302	10 Gallon Aluminum Secondary With Stainless Steel Dome Lid & Ball Cage With 3" Opening, (385 CFM)	20x16x27.32
1008-0306	10 Gallon Aluminum Secondary With Stainless Steel Dome Lid & Ball Cage With 4" Opening, (450 CFM)	20x16x27.32



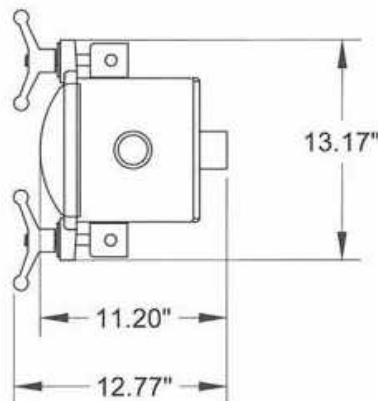
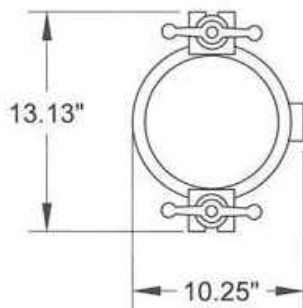
Cyclone Secondary Shutoff

Part #	Description	L x W x H
1008-0700	12 Gallon Cyclone With 3" Openings, (495 CFM)	43 1/2 x 18 1/4
1008-0704	12 Gallon Cyclone With 4" Openings, (795 CFM)	43 1/2 x 18 1/4
1008-0720	28 Gallon Cyclone With 6" Openings, (1495 CFM)	52 x 19



Final Filters

Part #	Description	L x W x H
1007-1001	Final Filter With 1 1/2" Female NPT, (385 CFM)	12.66 x 10.25 x 13.36
1007-1002	Final Filter With 2" Female NPT, (385 CFM)	12.66 x 10.50 x 13.36
1007-1003	Final Filter With 3" Female NPT, (385 CFM)	12.41 x 9.58 x 13.36
1007-0005	Final Filter With 4" Openings, (595 CFM)	19 x 19 x 19
1007-0004	Final Filter With 4" Threaded Nipples, (595 CFM)	19 x 19 x 16
1007-0008	Final Filter With 6" Openings, (595 CFM)	19 x 19 x 16
1007-0007	Final Filter With 6" Threaded Nipples, (595 CFM)	19 x 19 x 19

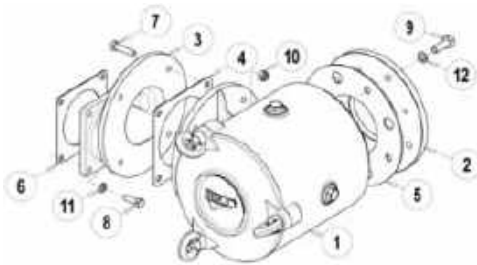


Final Filters

Jurop Final Filters

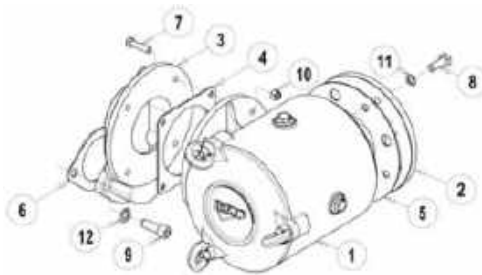
Part #	Description
FINAL FILTERS	
185212L4B0	4-Bolt Suction Group (JUROP Final Filter & Mounting Flange)
18521002E0	4-Bolt Suction Group for RVC360 (Jurop Final Filter & Mounting Flange)
185219N7B0	2-Bolt Suction Group (JUROP Final Filter & Mounting Flange)
1445003200	Jurop Final Filter For PVT200, DL200, PR200, PR250 (Filter Only)
FINAL FILTER PARTS	
1545002900	Jurop Final Filter Stainless Steel Element For R, RV, LC Series & PR150, DL100, DL140
1545002700	Jurop Final Filter Stainless Steel Element For PVT 200/DI200/PR200/PR250
1627104400	4-Bolt Final Filter Manifold Flange
1627104500	2-Bolt Final Filter Manifold Flange
1021-0026	Final Filter O-Ring, Large
1021-0024	Final Filter O-Ring, Small

Filter suction unit LC420-RV520 - code 18521 2L4 B0



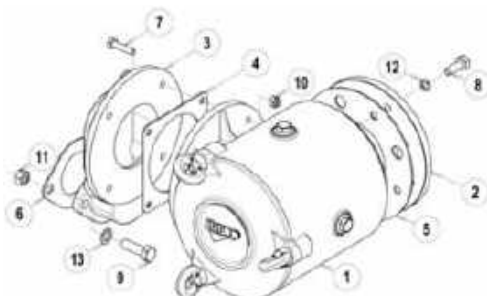
Pos.	Code	Description	Qty
1	1445002900	SMALL AIR AND WATER FILTER HOUSING	1
2	1610051600	SUCT. FILTER FLANGE LC-PN-R-RV	1
3	1627104400	MANIFOLD FOR FILTER LC420-RV520	1
4	1680609100	4-WAY TAP SEAL	1
5	1680609200	IN/OUTLET SEAL	1
6	1680709900	FILTER MANIFOLD SEAL	1
7	4026102801	GALV. HEX SCREW 8.8 M8X35	4
8	4026102807	GALV. HEX SCREW 8.8 M8X25	4
9	4026102908	GALV. HEX SCREW 8.8 M10X30	4
10	4026305504	SELF-LOCKING HEX NUT M8	4
11	4026350706	GALV. FLAT GROWER WASHER M8	4
12	4026350708	GALV. FLAT GROWER WASHER M10	4

Filter suction unit LC300-RV360 - code 18521 CNG B0



Pos.	Code	Description	Qty
1	1445002900	SMALL AIR AND WATER FILTER HOUSING	1
2	1610051600	SUCT. FILTER FLANGE LC-PN-R-RV	1
3	1627104500	FILTER MANIFOLD	1
4	1680609100	4-WAY TAP SEAL	1
5	1680609200	IN/OUTLET SEAL	1
6	1680614500	FILTER MANIFOLD SEAL	2
7	4026102801	GALV. HEX SCREW 8.8 M8X35	4
8	4026102908	GALV. HEX SCREW 8.8 M10X30	4
9	4026121710	GALV. TCEI SCREW 8.8 M12X35	2
10	4026305504	SELF-LOCKING HEX NUT M8	4
11	4026350708	GALV. FLAT GROWER WASHER M10	4
12	4026350709	GALV. FLAT GROWER WASHER M12	2

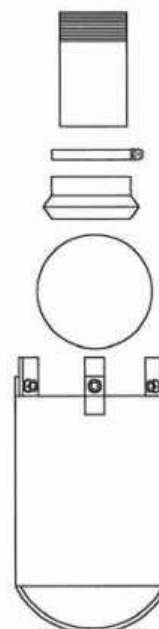
Filter suction unit PN-R - code 18521 9N7 B0



Pos.	Code	Description	Qty
1	1445002900	SMALL AIR AND WATER FILTER HOUSING	1
2	1610051600	SUCT. FILTER FLANGE LC-PN-R-RV	1
3	1627104500	FILTER MANIFOLD	1
4	1680609100	4-WAY TAP SEAL	1
5	1680609200	IN/OUTLET SEAL	1
6	1680614400	MANIFOLD SEAL	1
7	4026102801	GALV. HEX SCREW 8.8 M8X35	4
8	4026102908	GALV. HEX SCREW 8.8 M10X30	4
9	4026103004	GALV. HEX SCREW 8.8 M12X40	2
10	4026305504	SELF-LOCKING HEX NUT M8	4
11	4026308007	GALV. HEX NUT M12	2
12	4026350708	GALV. FLAT GROWER WASHER M10	2
13	4026350709	GALV. FLAT GROWER WASHER M12	4

Ball Cage Kit Assemblies

Part #	Description
1014-0200	6" Steel Ball Cage Assembly, 2" Threads
1014-0305	6" Tube Ball Cage
1014-0301	8" Stainless Steel Ball Cage Assembly, 3" Opening
1014-0300	8" Stainless Steel Ball Cage Assembly, 3" Threads
1014-0310	8" Stainless Steel Ball Cage Assembly, 3" Threads, 304
1014-0401	8" Stainless Steel Ball Cage Assembly, 4" Opening
1014-0400	8" Stainless Steel Ball Cage Assembly, 4" Threads
1014-0410	8" Stainless Steel Ball Cage Assembly, 4" Threads, 304
1014-0598	10" Ball Cage Assembly, 4" Threads
1014-0599	10" Stainless Steel Ball Cage Assembly, 4" Threads, 304
1014-0600	10" Ball Cage Assembly, 6" Threads



Part #	Description
1014-0004	2" Weldable Elbow, Short Radius
1014-0005	3" Weldable Elbow, Short Radius
1014-0081	4" Weldable Elbow, Short Radius
1014-0006	6" Weldable Elbow, Short Radius

Weldable Elbows



Part #	Description
1053-0001	2" NPT Weldable Pipe Nipple x 2" Blank
1051-0001	3" NPT Weldable Pipe Nipple x 2" Blank
1052-0001	4" NPT Weldable Pipe Nipple x 4.5" Blank
1054-0000	6" NPT Weldable Pipe Nipple x 6" Blank
* 1000-1001	Fabrication Charge for each Weld-On Fitting

Weldable Pipe Nipple



Mufflers

Razor-Pak Muffler



* Image pictured is powder coated, see cost table for pricing.

Part #	Description	L x W x H
1002-2000	2" Razor-Pak Muffler (295 CFM)	271/4" x 10" x 24"
1002-3000	3" Razor-Pak Muffler (375 CFM)	271/4" x 10" x 24"
1002-4000	4" Razor-Pak Muffler (495 CFM)	271/4" x 10" x 24"
1000-0021	POWDER COATING FOR RAZOR-PAK MUFFLER	-

2, 3, & 4" Horizontal Oil Catch Mufflers

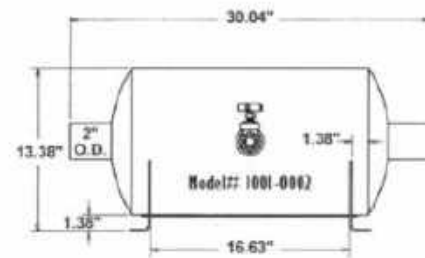
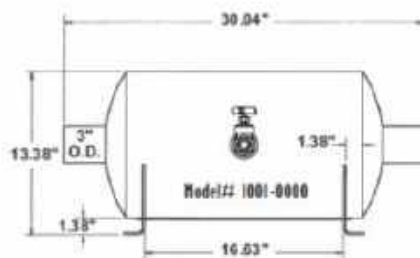
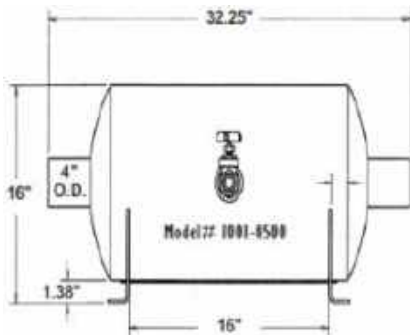
Genuine Chandler Equipment Products Distributed by:



1-800-699-7557



Part #	Description	L x W x H
1001-0002	2" Horizontal Oil Catch Muffler (295 CFM)	25.5 x 14 x 16
1001-0003	2" Horizontal Oil Catch Muffler With Threads (295 CFM)	25.5 x 14 x 16
1001-0000	3" Horizontal Oil Catch Muffler (375 CFM)	25.5 x 14 x 16
1001-0013	3" Horizontal Oil Catch Muffler With Threads (375 CFM)	25.5 x 14 x 16
1001-0500	4" Hi-Capacity Horizontal Muffler (495 CFM)	32 x 16 x 18
1001-0501	4" Hi-Capacity Horizontal Muffler With Threads (495 CFM)	32 x 16 x 18



Aluminum Vertical Muffler

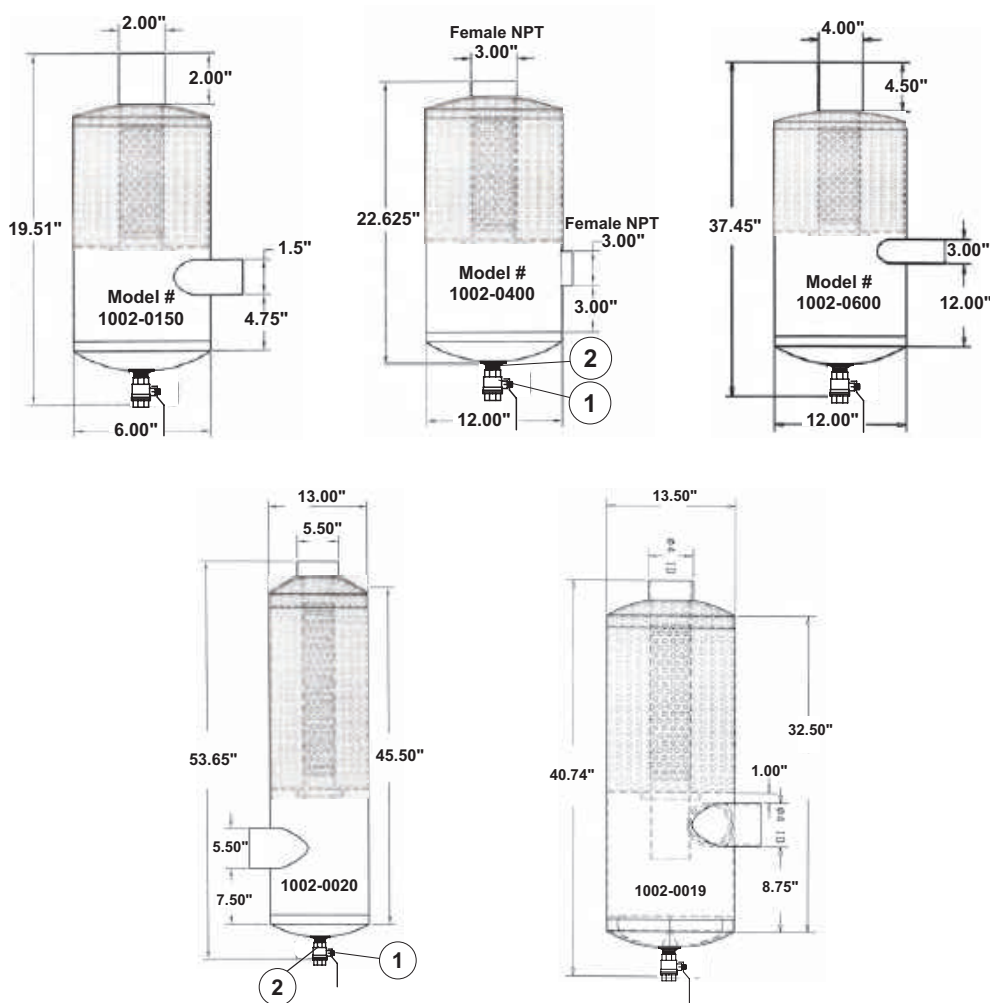


Part #	Description	L x W x H
1002-1001	Aluminum muffler, 2" FITTING, (235 CFM) MAX RATING	8" X 16 1/4"
1002-1010	*OPTIONAL WELD ON aluminum muffler BRACKET	4" X 3" X 1 1/2"



2", 3", & 4" Vertical Oil Catch Muffler/Oil Separators

Part #	Description	L x W x H
1002-0150	1.5" Vertical Oil Catch Muffler (125 CFM) 1.5" NPT	6 x 7.5 x 17
1002-0200	2" Vertical Oil Catch Muffler (125 CFM) 2" Tube	6 x 7.5 x 17
Above Mufflers Include 1 1/2-2" NPT Or Tubing In & 2" O.D. Tubing Out		
1002-0400	3" Vertical Oil Catch Muffler (375 CFM) 3" FML NPT	12 x 12 x 22
1002-0400-B	3" Vertical Oil Catch Muffler (375 CFM) 3" FML NPT with Removable Bolt-On Lid	12 x 12 x 12
Above Mufflers Include 3" NPT Female Threads On Top And Side		
1002-0600	3" Vertical Oil Catch Muffler (495 CFM) 3" Tube	12 x 12 x 34
1002-0601	4" Vertical Oil Catch Muffler (575 CFM) 4" Tube	12 x 12 x 34
1002-0603	4" Vertical Oil Catch Muffler (575 CFM) 4" NPT	12 x 12 x 34
Above Mufflers Include 3-4" NPT Or Tubing In , 4" Size Tubing Out		
1002-0019	Silencer - Oil Separator (695 CFM) 4"	14 x 13 x 40.74
1002-0020	Silencer - Oil Separator (1150 CFM) 4" I.D.	14 x 13 x 48



1002-0400



1002-0600



1002-0200



1002-0019

Muffler Accessories



Part #	Description
1001-0004	2" Breather Cap
1001-0005	3" Breather Cap
1001-0006	4" Breather Cap
1002-0610	Muffler Stack, 4" I.D. & Clamp
1053-0001	2" NPT Weldable Pipe Nipple
1051-0001	3" NPT Weldable Pipe Nipple
1052-0001	4" NPT Weldable Pipe Nipple
1002-0004	4" Muffler Clamp
1002-0003	4" X 18" Muffler Stack Pipe

Vacuum Pressure Trees & TTMA Assemblies



Part #	Description
1040-1000 MZ	3" TTMA Lever Valve Flange Assembly
1041-1000 MZ	4" TTMA Lever Valve Flange Assembly
1060-1000 MZ	6" TTMA Lever Valve Flange Assembly

Steel Bolt-On Assembly

1097-0000	Assembly Without Reliefs or Gauge: Flange x Hose Shk, 2-Bolt (PN106, R260)
1097-0010	Assembly With Reliefs & Gauge: Flange x Hose Shk, 2-Bolt (PN106, R260)
1097-0015	Assembly Without Reliefs or Gauge: Flange x Hose Shk, 2-Bolt (PN58, PN84)
1097-0016	Assembly With Reliefs & Gauge: Flange x Hose Shk, 2-Bolt (PN58, PN84)
1097-0020	Assembly Without Reliefs or Gauge, Flange x Flange, 2-Bolt (PN106, R260)
1097-0030	Assembly With Reliefs & Gauge, Flange x Flange, 2-Bolt (PN106, R260)
1097-0040	Assembly Without Reliefs or Gauge, 4-Bolt, Flange x Round-Flange (LC420, PNR102)
1097-0050	Assembly With Reliefs & Gauge, 4-Bolt, Flange x Round-Flange (LC420, PNR102)

Aluminum In-Line Assembly

1097-1001	2" Aluminum Assembly With Reliefs & Gauge
1097-1000	2" Aluminum Assembly Without Reliefs Or Gauge
1097-1003	3" Aluminum Assembly With Reliefs & Gauge
1097-1002	3" Aluminum Assembly Without Reliefs Or Gauge

Steel In-Line Assembly

1097-1005	4" Steel Assembly With Reliefs & Gauge
1097-1004	4" Steel Assembly Without Reliefs or Gauge



2 YEAR LIMITED WARRANTY AND LIABILITY ON ALL **JUROP** PUMPS & BLOWERS

All prices, terms and conditions of sale in this catalog are subject to change without prior notice. The buyer agrees to all terms and conditions of seller upon placement of any and all purchase orders.

LIMITED WARRANTY AND LIABILITY POLICY

We, at Chandler Equipment Inc., warrant all Jurop vacuum pumps and Jurop components we sell to be free from defects in material and workmanship for a period of two years from the date of shipment from our warehouse or two years from purchase date (accompanied with a copy of original invoice), subject only to the following:

1. Chandler Equipment Inc.'s liability under this warranty (and under any other warranty expressed or implied, statutory or otherwise) is limited to repair, or at Chandler Equipment Inc.'s option, replacement of all parts which are shown to have been defective when shipped, and then only if Chandler Equipment Inc. is notified of such defects within such warranty period and such defective parts are promptly delivered to its warehouse at 4180 West Sunset, Springdale, AR 72762, transportation charges prepaid. Chandler Equipment Inc.'s liability for incidental and consequential damage is hereby excluded to the full extent permitted by applicable law. Chandler Equipment Inc.'s liability as stated herein cannot be altered or enlarged except by a writing signed by an officer of Chandler Equipment, Inc.
2. Warranty is void if compatible components are not used with the pump.
3. Vane breakage or subsequent damage caused by vane breakage is not warrantable.
4. Damage caused by improper use or lack of proper maintenance is not warrantable.

DELIVERY, DAMAGES, & SHORTAGES

Delivery to the initial common carrier shall constitute the delivery to the buyer. Our responsibility, insofar as transportation risks are concerned, ceases upon delivery of merchandise in good condition to such a carrier, and all the merchandise shall be shipped at the buyer's risk. Any evidence of damage to material shipped, upon the opening of the original shipping package, must be reported to and a claim made with the delivering carrier immediately.

RETURN OF DEFECTIVE MERCHANDISE

Defective or failed merchandise is to be held at the buyer's premises until authorization has been granted by seller to return or dispose of merchandise. Merchandise that is to be returned for final inspection must have a Return Authorization Number and must be returned Freight Prepaid in the most economical way. Credit will be issued for material found to be defective upon our inspection based on prices at time of purchase.

MERCHANDISE SHIPPED IN ERROR

Buyer must notify seller immediately of any merchandise shipped in error. Upon notification, merchandise is to be returned to seller either via truck on a freight prepaid basis, or via UPS on a freight prepaid basis. Buyer will be reimbursed for cost of merchandise, plus any additional freight which may have incurred due to shipping error.

MERCHANDISE ORDERED IN ERROR

Standard merchandise may only be returned provided that the merchandise is in the original buyer's possession for not more than 30 days. If merchandise is accepted for return, merchandise must be returned freight prepaid and buyer may be charged a restocking fee. Returns are not accepted for any merchandise that is specially ordered or manufactured to meet the buyer's requirements of either specifications or large quantity.

FREIGHT TERMS

All shipments will be made F.O.B. shipping point. Back orders will be shipped in the most practical fashion with charges consistent with our freight policy established with the original order. **Special delivery orders (UPS next day air, 2nd day air, or Federal Express) called in prior to 2 PM C.S.T. will be processed and shipped that business day.**

ACCEPTANCE, ALTERATION, & CANCELLATION

Orders for other than standard items may not be cancelled after purchase has been committed, production scheduled, or any other cost incurred. Buyer will be charged a restocking fee on returned merchandise or cancellations on special orders.

PAYMENT TERMS

We accept payment by check, Visa, Mastercard, American Express, Discover certified funds, cashier's checks, money orders, or wire transfer. Chandler Equipment, Inc. reserves the right to hold shipments against past due accounts. All past due accounts are subject to a late charge and maximum interest allowed by law, along with the expenses incidental to collection including reasonable attorney's fees.

PRICING

In the event of price error, Chandler Equipment reserves the right to charge the correct price. We also make every effort to maintain our pricing, however due to unforeseeable market fluctuation, prices are subject to change without notice. These prices do not include freight.

CLAIMS

All claims must be made within (10) days of receipt of packing slip or invoice. Chandler Equipment, Inc. reserves the right at all times to reject any order for any reason.

ATTENTION: WATER COOLED PUMPS

Regarding warranty allowances on all JUROP WATER COOLED VACUUM PUMPS, it will be necessary to test and document the water flow with a Gallon per minute flow meter in the vacuum pump circulation line. A copy of the results should be forwarded to Chandler Equipment, Inc. for future reference.

RETURNED GOODS:

A returned goods authorization number must be obtained before returning any material for any reason. Material returned for credit will be subject to warehouse inspection. All material must be shipped with transportation charges prepaid. Buyer will be charged a restocking fee on returned merchandise. Products that are obsolete or made to special order are not returnable.

CAUTION

THE INFORMATION CONTAINED IN THIS CATALOG IS IN THE NATURE OF A GENERAL GUIDE OF THE TYPES AND DIMENSIONS OF MERCHANDISE AVAILABLE BY CHANDLER EQUIPMENT, INC. WE DO NOT RECOMMEND OUR MERCHANDISE FOR PARTICULAR USES OR APPLICATIONS. ALL USERS (INCLUDING, BUT NOT LIMITED TO, END USERS, ASSEMBLERS, SYSTEMS MANUFACTURERS, OR ORIGINAL EQUIPMENT MANUFACTURERS) USING ANY MERCHANDISE ACQUIRED FROM CHANDLER EQUIPMENT, INC. ARE ALWAYS RESPONSIBLE FOR THE USE OR APPLICATION OF THAT MERCHANDISE. IT IS ALWAYS NECESSARY AND REQUIRED THAT, PRIOR TO ANY USE OR APPLICATION, ALL USERS FIRST CONDUCT THEIR OWN STUDIES, TESTING OR ENGINEERING TO DETERMINE THE PROPER USE OR APPLICATION OF OUR MERCHANDISE FOR THE USE AND PURPOSE CONTEMPLATED. WE RECOMMEND THAT ALL USERS CONSULT WITH THEIR OWN ADVISORS OR ENGINEERS CONCERNING THE USE OR APPLICATION OF OUR MERCHANDISE.

