

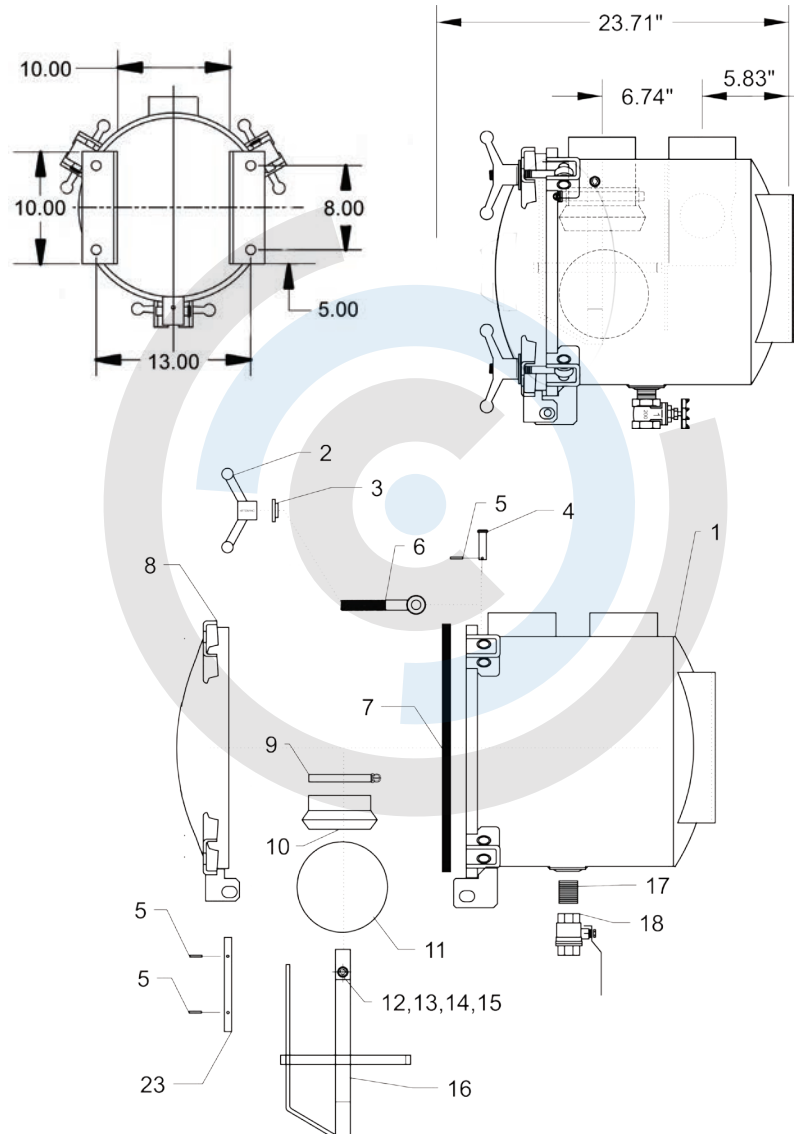
14 GALLON HORIZONTAL SECONDARY SHUTOFF



PART#	DESCRIPTION	L x W x H	WEIGHT
1008-0063	14 GAL HORIZ SECONDARY W/O SIGHT EYE, 3" , (700 CFM)	25 x 17 x 20	104LBS
1008-0060	14 GAL HORIZ SECONDARY, 3" OPENING , (700 CFM)	25 x 17 x 20	109LBS
1008-0062	14 GAL HORIZ SECONDARY W/O SIGHT EYE, 4" , (700 CFM)	25 x 17 x 20	106LBS
1008-0061	14 GAL HORIZ SECONDARY, 4" OPENING , (700 CFM)	25 x 17 x 20	111LBS



- 4 - WING NUT EASY ACCESS
- GASKET IN THE NECK DESIGN
- CAPABLE OF HANDLING 700 CFM
- DUAL REAR MOUNTING BRACKETS
- CLAMP-ON BALL SEAT & 6" STAINLESS FLOAT BALL
- 1" BALL VALVE DRAIN & 4" RUBBER SHUTOFF SEAT
- COMPACT SIZE FOR EASY CATWALK MOUNTING



#	PART#	DESCRIPTION
REPLACEMENT PARTS		
1	1008-0077	14 GAL.HORZ.BODY WELDMENT
2	1010-0001	5/8" WING NUT
3	1010-0003	ZINIC MANWAY WASHER
4	1021-0000-P	ZINIC PLATED CLEVIS PIN
5	1021-0000-R	ZINIC PLATED ROLL PIN
6	1021-0000	5/8" X 5" EYEBOLT
7	1008-6400	GASKET FOR 14 GALLON HORIZ.SEC.
8	1008-0068	14 GAL.LID ASSY. W/ SIGHTEYE
	1008-0067	14 GAL.LID ASSY. W/O SIGHTEYE
9	1089-0002	HOSE CLAMP (4"SIZE RUB.SEAT)
10	1089-0001	4"RUB.SEAT FOR 4"SCH.40 PIPE
11	1076-0000	6"STAINLESS STEEL FLOAT BALL
12	1014-0007	CAGE WELD TAB
13	1000-0138	3/8" X 1" CAP SCREW
14	1000-0118	3/8" LOCK WASHER
15	1000-0168	3/8" HEX NUT
16	1008-0080	BALL CAGE, 14 GAL.HORZ.
17	1001-0020	1" CLOSE NIPPLE
18	1037-0001	1" BRASS BALL VALVE
23	1021-0000-HP	ZINC HINGE PIN

SEE LIST OF OPTIONAL FITTINGS ON PAGES 51, 55 & 62.