

# 20" PRIMARY SHUTOFF, 12" NECK



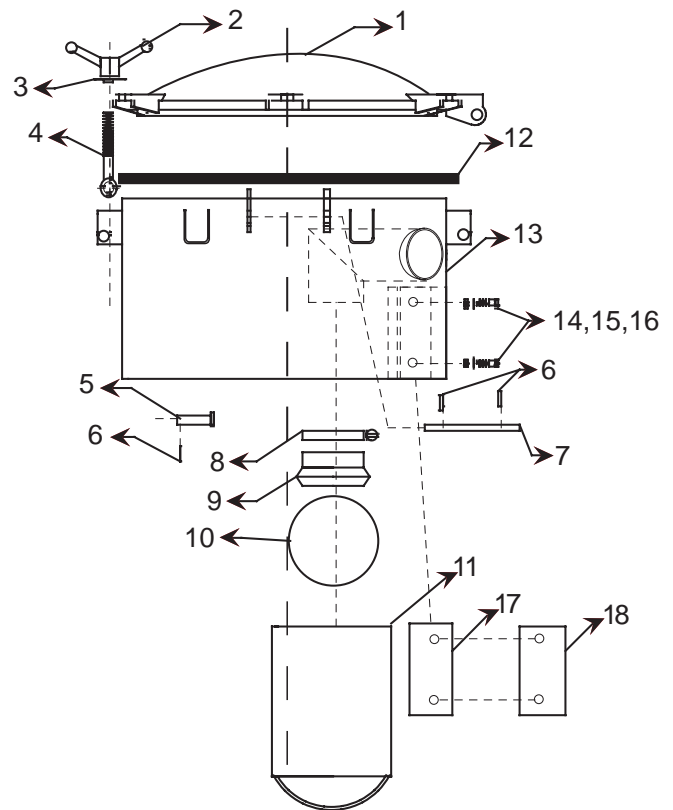
- GASKET IN THE LID
- STANDARD 12" NECK LENGTH
- 3" OR 4" OPENINGS AVAILABLE
- 8" STAINLESS STEEL BALL CAGE
- STAINLESS STEEL FLOAT BALL

## 20" PRIMARY SHUTOFF, 12" NECK, 1/4" BASE, GASKET IN THE LID

PART#	DESCRIPTION	W x H	WEIGHT
1010-7403	20" PRIMARY WITH 12" NECK & 1/4" BASE W/3" SIDE OPENING GASKET IN THE LID DESIGN, (550 CFM)	26.5 X 16	117LBS
1010-7404	20" PRIMARY WITH 12" NECK & 1/4" BASE W/4" SIDE OPENING GASKET IN THE LID DESIGN, (550 CFM)	26.5 X 16	117LBS

## 20" PRIMARY SHUTOFF SPEC SHEET

#	PART#	DESCRIPTION
REPLACEMENT PARTS		
1	1010-7001	20" MANWAY LID ASSY. 6-WINGNUT GASK-LID TYPE
2	1010-0001	5/8" WING NUT
3	1010-0003	ZINIC MANWAY WASHER
4	1021-0000-B	5/8" X 5" ZINC PLATED EYEBOLT (.80LBS)
5	1021-0000-P	ZINC PLATED CLEVIS PIN (.19LBS)
6	1021-0000-R	ZINC PLATED ROLL PIN (.06LBS)
7	1021-0000-HP	ZINC PLATED HINGE PIN
8	1090-0001	HOSE CLAMP 3" SIZE
	1089-0002	HOSE CLAMP 4" SIZE
9	1090-0000	3" RUBBER SEAT
	1089-0001	4" RUBBER SEAT
10	1076-0000	6" S.S. FLOAT BALL
11	1014-0060	8" S.S. BALL CAGE ASSEMBLY W/O WELD TABS
12	1019-0011	20" MANWAY GASKET (GASKET - LID TYPE)
13	1010-7410	20" PRIM. BASE ONLY 3" OPENING
	1010-7411	20" PRIM. BASE ONLY 4" OPENING
14	1000-0138	3/8" X 1" CAP SCREW
15	1000-0118	3/8" LOCK WASHER
16	1000-0168	3/8" HEX NUT
17	1011-0034	BALL CAGE BRACKET S.S. 304
18	1011-0032	BALL CAGE BRACKET STEEL A-36



SEE LIST OF OPTIONAL FITTINGS ON PAGE 38, 47 & 51.