



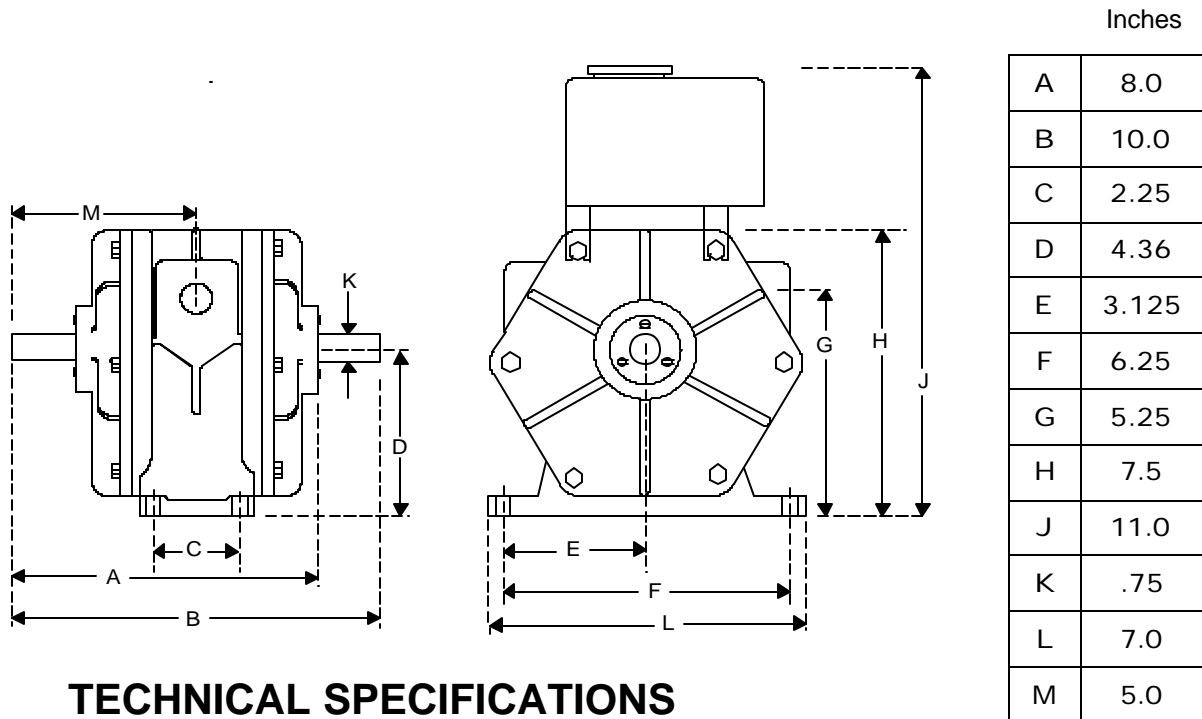
## Model 3

*Vapor Oil Vacuum Pump*



- 
- \* Versatile Shaft Designs  
Clockwise, Counter Clockwise or Double Shaft to fit any installation need.
  - \* Automatic Oiling System  
Conde Wick automatic oilers require no adjustment or maintenance. Simply add oil.
  - \* Provides Pulse Free Air For Vacuum In Harsh Or Wet Environment
  - \* Available In A Variety Of Pump/Motor Packages To Tailor Your Air Flow Needs With Horsepower Requirements
  - \* Units Complete With Relief Valve, Check Valve And Oil Catch Muffler
  - \* Ideal For Vacuum Applications Up To 20" Hg Continuous Operation, Or Up To 24" Hg Intermittent
  - \* No maintenance Sealed Bearings.
  - \* Conde Quality Construction

# DIMENSIONAL SPECIFICATIONS



## TECHNICAL SPECIFICATIONS

- \* **MAXIMUM AIR FLOW (Vac.)**  
20 Cubic Feet per minute @ free air
- \* **MAXIMUM VACUUM**  
24" Hg (.90 bar) intermittent
- \* **SPEED RANGE**  
1100 RPM TO 1750 RPM
- \* **MAXIMUM PRESSURE**  
15 PSI intermittent  
10 PSI continuous
- \* **LUBRICATION**  
Conde Wick Automatic
- \* **WEIGHT**  
38 lbs.
- \* **PORT SIZE**  
3/4"
- \* **SHAFT DIAMETER**  
3/4"

## PERFORMANCE SPECIFICATIONS

Pump R.P.M.	Free Air C.F.M.	S.C.F.M. @ VACUUM				
		5	10	15	18	20
1200	14	11	9	6	5	4
1500	18	14	11	8	6	5
1750	19	16	13	9	7	6

**Conde' Pumps**

906 West Hamilton Avenue  
Sherrill, New York 13461

Phone: 800-367-0972

Fax: 315-363-0193

Visit us on the world wide web at:  
[www.westmoorltd.com](http://www.westmoorltd.com)