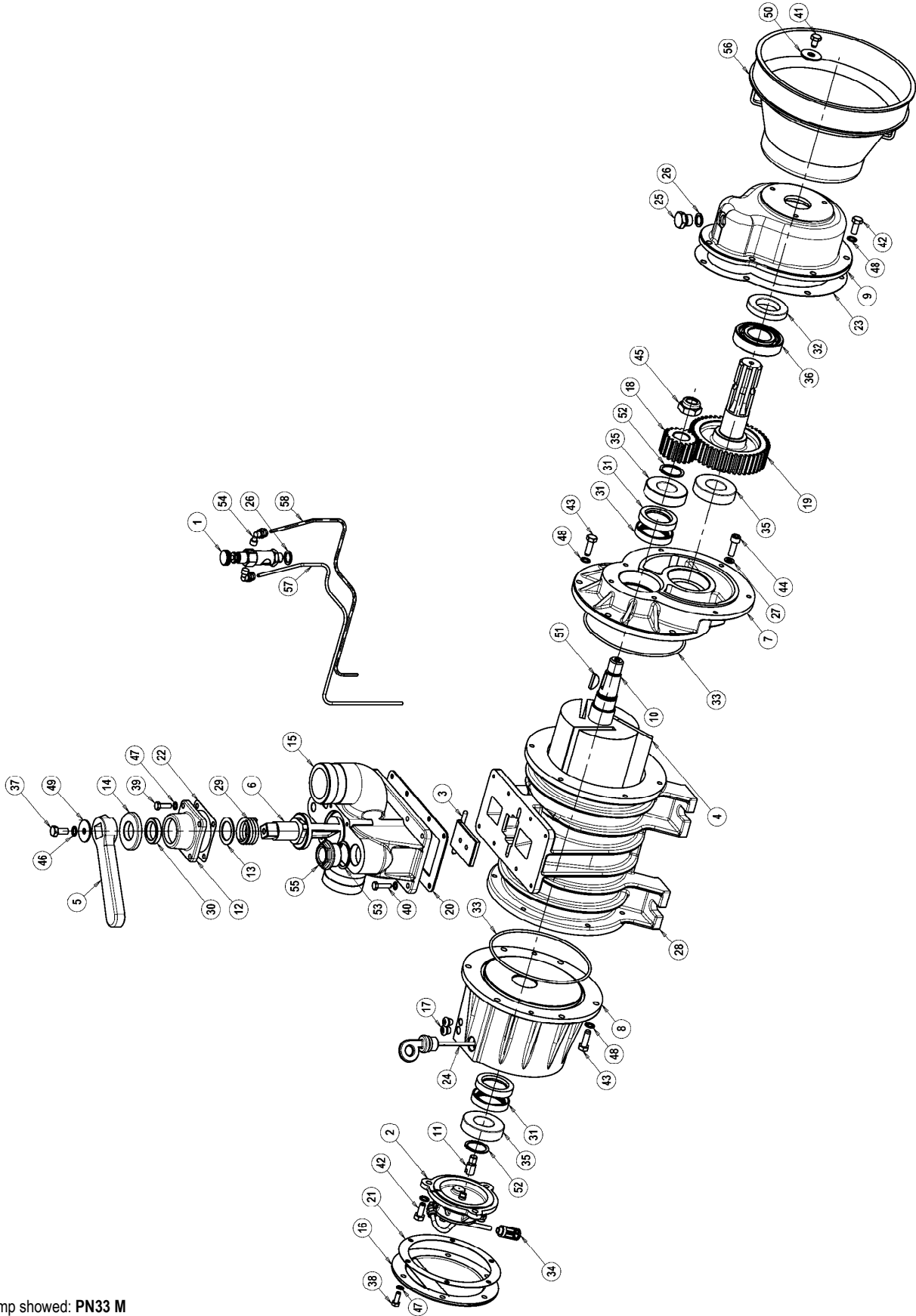




PN Series Parts Breakdown



PN 23-33 M



Pump showed: PN33 M

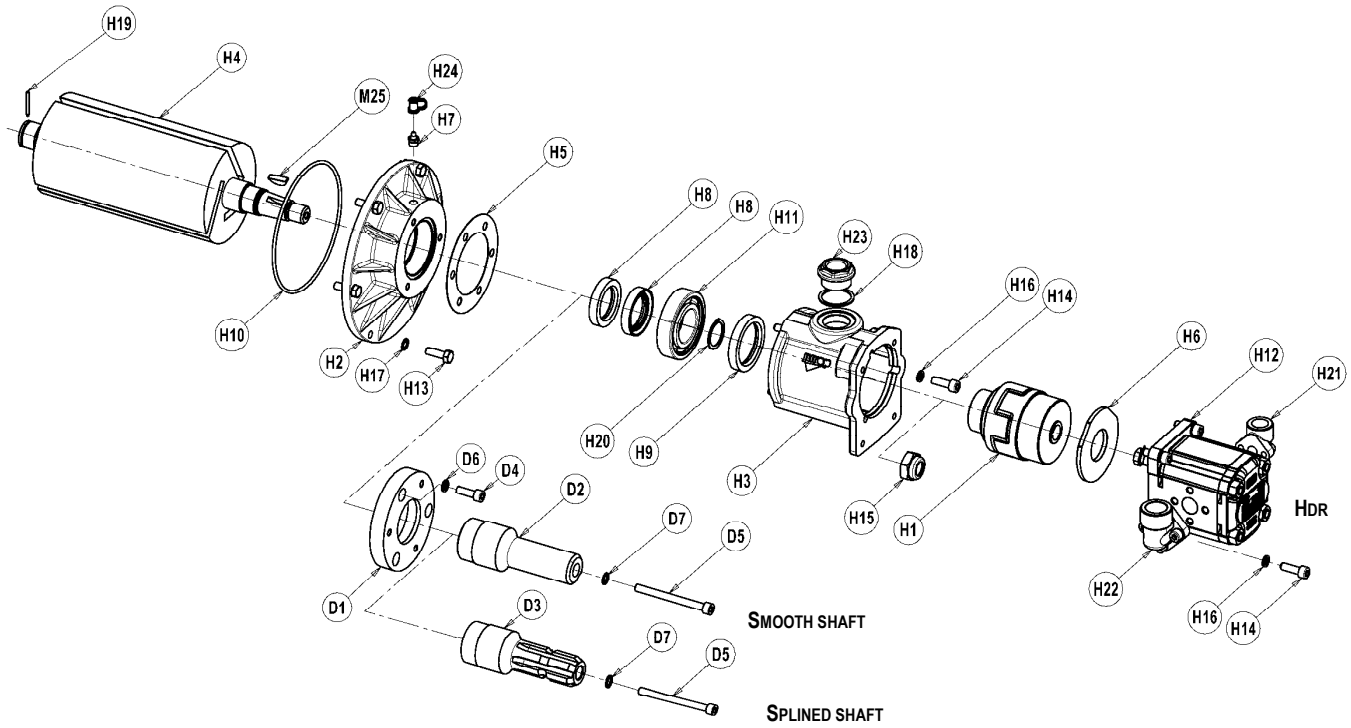


SPARE PART DATA SHEET – PUMPS PN23-33

PN23-33 M

Pos.	Code	Description	Q.ty	Pos.	Code	Description	Q.ty
1	1401200400	OILER	1	29	1691000200	SPRING	1
2	1407202400	OIL PUMP SX PN23-33	1	30	4022200005	SEAL RING 37X27X7	1
3	1593600100	BUTTERFLY VALVE	1	31	4022200025	SEAL RING 55X35X10	4
4	1601600000	VANE PN23 BK	3	32	4022200032	SEAL RING 60X35X10	1
	1601600100	VANE PN23	3	33	4022200230	SEAL RING OR 4575	2
	1601600200	VANE PN33 BK	3	34	4022300001	FILTER NYLON	1
	1601600300	VANE PN33	3	35	4023100110	BEARING 6206	3
5	1605500000	HANDLE	1	36	4023100020	BEARING 6207	1
6	1608501300	SWITCH PN23-33	1	37	4026100408	SCREW M8X20	1
7	1610503900	FLANGE PN23-33	1	38	4026102704	SCREW M6X16 ZINC.	6
8	1612501200	OIL BOX	1	39	4026102706	SCREW M6X20 ZINC.	4
9	1612501300	BOX PN23-33	1	40	4026102707	SCREW M6X25 ZINC.	8
10	1621501600	ROTOR PN23 DX	1	41	4026102802	SCREW M8X12 ZINC.	3
	1621501700	ROTOR PN33 DX	1	42	4026102806	SCREW M8X20 ZINC.	10
11	1622002600	PIN	1	43	4026102807	SCREW M8X25 ZINC.	10
12	1623500500	CAP NUT PN23-33	1	44	4026121407	SCREW M8X25 ZINC.	2
13	162409YKB0	DISTANCERING	1	45	4026305612	SELFBLOCKING M20X1,5	1
14	1624202300	DISTANCERING	1	46	4026350909	TOOTH WASHER M8	1
15	1627501600	MANIFOLD PN23-33	1	47	4026351504	TOOTH WASHER M6	18
16	1640100000	COVER	1	48	4026351505	TOOTH WASHER M8	20
17	1642600000	GASKET	2	49	4026356004	FLAT WASHER 8X32	1
18	1651000200	PINION PN23-33	1	50	4026356010	FLAT WASHER 10X30	3
19	1651000300	WHELL PN23-33	1	51	4026500018	TAB. 6X10	1
20	1680600400	GASKET	1	52	4026510025	SEAL RING SEEGER	2
21	1680700300	GASKET	1	53	4026702706	WASHER 1"	1
22	1680700800	GASKET	1	54	4026706000	FITTING 4X1/8	2
23	1680700900	GASKET	1	55	4026904003	PLUG 1"	1
24	1683600100	PLUG FOR OIL LEVEL	1	56	4029602806	GASKET	1
25	1684000000	RELIEF PLUG 3/8	2	57	1663014500	MULTIPLIER HOSE PN23	1
26	1685100000	FLAT WASHER	4		1663014600	MULTIPLIER HOSE PN33	1
27	1685100800	FLAT WASHER	2	58	1663014300	MULTIPLIER HOSE PN23	1
28	1687502600	PUMP HOUSING PN23	1		1663014400	MULTIPLIER HOSE PN33	1
	1687502700	PUMP HOUSING PN33	1				

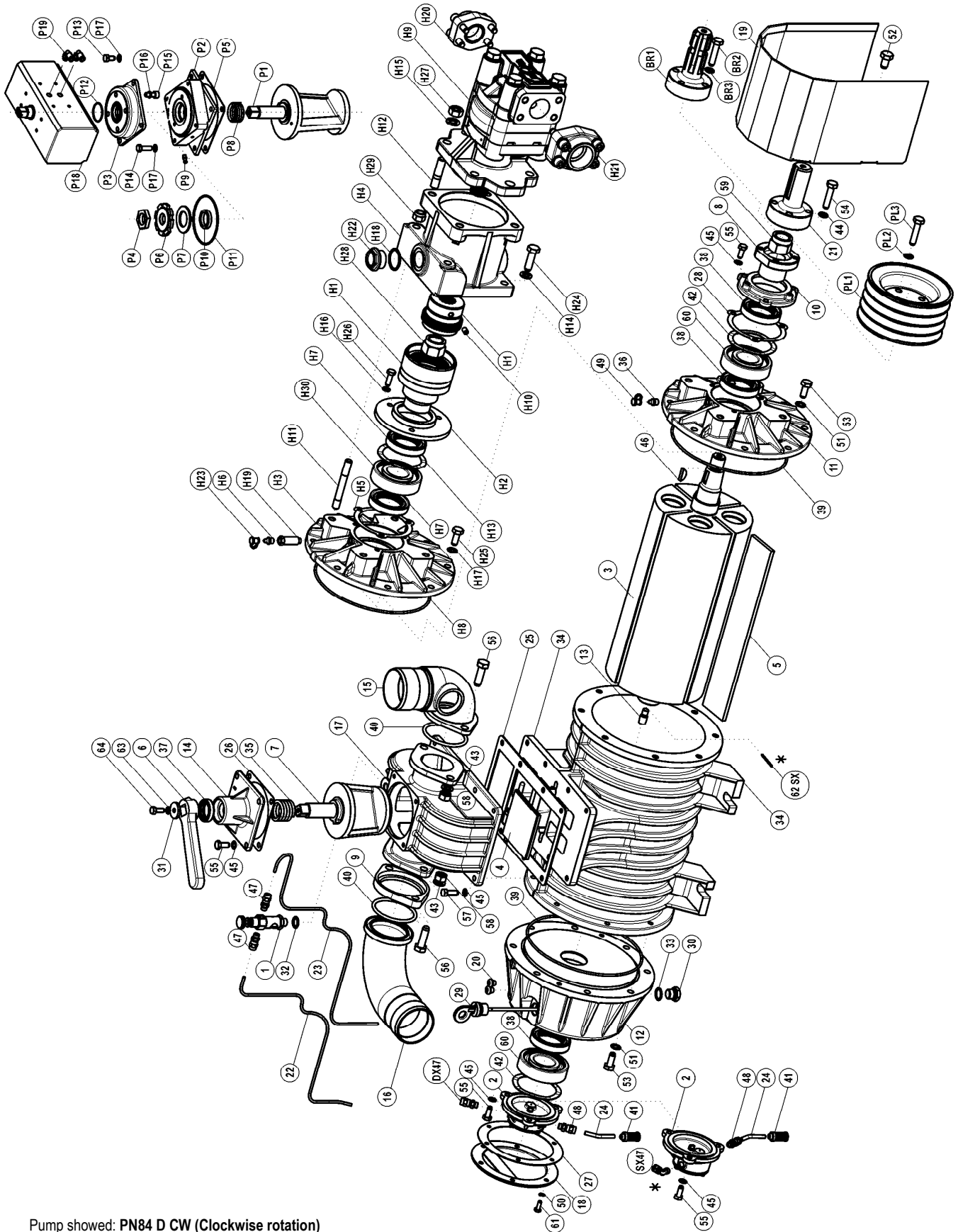
PN 23-33 D - HDR



PN23-33 D - HDR

Pos.	Code	Description	Q.ty	Pos.	Code	Description	Q.ty
PN23-33 HYDRAULIC DRIVE							
H1	1470101600	JOINT HDR	1	H15	4026305612	SELFBLOCKING M20X1,5	1
H2	1610504000	FLANGE PN23-33	1	H16	4026350505	GROWER WASHER M8	7
H3	1612504900	BOX HDR PN23-33	1	H17	4026351505	TOOTH WASHER M8	6
H4	1621502600	ROTOR PN23 SX	1	H18	4026359001	WASHER	1
	1621501600	ROTOR PN23 DX	1	H19	4026414614	PLUG 3X30	1
	1621502700	ROTOR PN33 SX	1	H20	4026510025	SEAL RING SEEGER	1
	1621501700	ROTOR PN33 DX	1	H21	4026710013	FITTING 1/2"	1
H5	1680701000	GASKET	1	H22	4026710015	FITTING 3/4"	1
H6	1684002100	SEAL RING PN23-33	1	H23	4026904003	RELIEF PLUG 1"	1
H7	4022100010	GREASE	1	H24	4029602700	CAP NUT	1
H8	4022200025	SEAL RING 55X35X10	2	H25	4026500018	TAB. 6X10	1
	4022200037	SEAL RING 65X48X10	1	SMOOTH SHAFT - SPLINED SHAFT			
H9	4022200230	SEAL RING OR 4575	1	D1	1610500900	FLANGE	1
H10	4022200230	SEAL RING OR 4575	1	D2	1650000500	SMOOTH SHAFT	1
H11	4023100110	BEARING 6206	1	D3	1650000400	SPLINED SHAFT	1
H12	4024107206	MOTOR HDR SX	1	D4	4026121407	SCREW M8X25	3
	4024107206	MOTOR HDR DX	1	D5	4026121413	SCREW M8X90	1
H13	4026102807	SCREW M6X25 ZINC.	6	D6	4026350505	GROWER WASHER M8	3
H14	4026121407	SCREW M8X25 ZINC.	7	D7	4026351505	WASHER M8	1

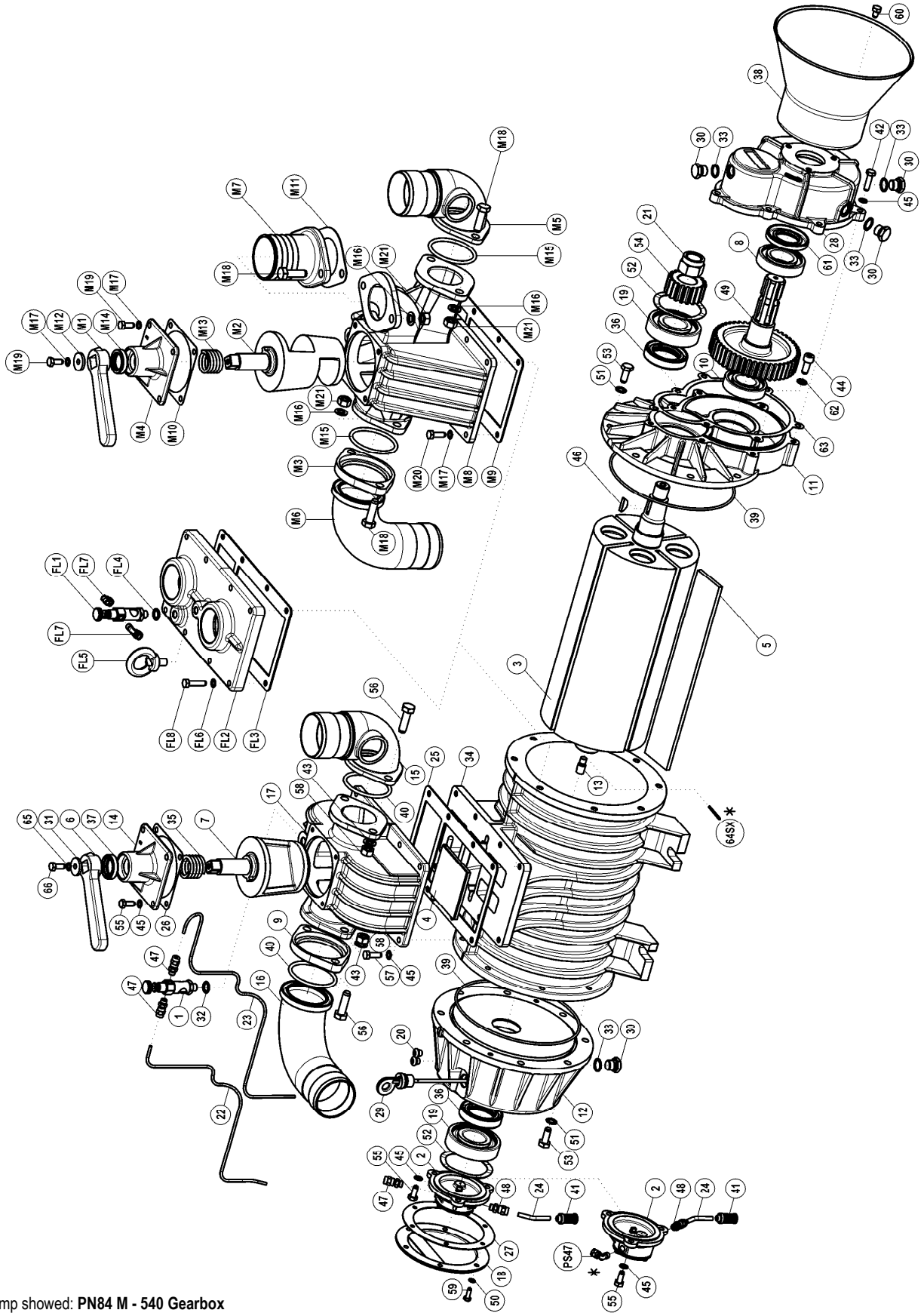
PN 45-58-84 D



PN45-58-84 D

Pos.	Code	Description	Q.ty	Pos.	Code	Description	Q.ty
PN45-58-84 DIRECT DRIVE - SMOOTH SHAFT							
1	1401200400	DRIP OILER – 2 CONNECTIONS	1	51	4026351506	WASHER M10	16
2	1407200500	GEAR OIL PUMP DX	1	52	4026103000	SCREW M12X20	4
2A	1407202100	GEAR OIL PUMP SX	1	53	4026102907	SCREW M10X25	16
3	1521500300	ROTOR PN 58	1	54	4026102911	SCREW M10X45	4
	1521500200	ROTOR PN 45	1	55	4026102806	SCREW M8X20	10
	1521500400	ROTOR PN 84	1	56	4026103004	SCREW M12X40	4
4	1593600000	FLAPPER VALVE	1	57	4026102807	SCREW M8X2	8
5	1601600600	VANE PN 58 BK	3	58	4026308007	NUT M12	4
	1601600400	VANE PN 45 BK	4	59	4026305614	SELF LOCKING NUT M24X2	1
	1601600800	VANE PN 84 BK	4	60	4023100040	BEARING 40X90X23 6308	2
6	1605500000	VALVE HANDLE	1	61	4026102806	SCREW M6X16	7
7	1608500000	CONVEYOR	1	62SX	4026414617	PLUG 3X40 6873	1
8	1610006600	FLANGE FOR DIRECT DRIVE	1	63	4026308005	HEXAGONAL NUT M8	1
9	1610100000	OUTLET PORT FLANGE	1	64	4026135414	STUD SCREW M8X45	1
10	1610500400	END CAP	1	SPLINED SHAFT			
11	1610500500	DIRECT DRIVE END PLATE	1	BR1	1650004700	SPLINED SHAFT 1" 3/8	1
12	1612500300	OIL TANK	1	BR2	4026102911	SCREW M10X45	4
13	1622002600	OIL PUMP DRIVE	1	BR3	4026350708	GROWER WASHER M10	4
14	1623100000	END CAP	1	PULLEY D. 150			
15	1627100100	SUCTION MANIFOLD D.60	1	PL1	1653501000	PULLEY SPB 150X4	1
15	1627100200	SUCTION MANIFOLD D.76	1	PL2	4026350708	GROWER WASHER M10	4
16	1627100500	EXHAUST MANIFOLD D.76	1	PL3	4026102806	SCREW M8X20	4
17	1627500000	STANDARD MANIFOLD	1	PN45-58-84 HYDRAULIC DRIVE			
18	1640101100	OIL TANK COVER	1	H1	1470100400	JOINT GA 100	1
19	1642003000	CARDAN SHAFT PROTECTION	1	H2	1610005500	HYD. DRIVE FLANGE	1
20	1642600000	OIL LINE RUBBER PROTECTION	2	H3	1610500500	DIRECT DRIVE END PLATE	1
21	1650004300	SMOOTH FLANGED SHAFT	1	H4	1612501400	HYD. DRIVE GEARBOX	1
22	1663005500	OIL LINE PN 45 – DIRECT DRIVE	1	H5	1680700400	END CAP GASKET	1
	1663005100	OIL LINE PN 45 – GEARBOX	1	H6	4022100010	GRESASER	1
	1663005600	OIL LINE PN 58 – DIRECT DRIVE	1	H7	4022200110	SEAL RING 72X48X15	2
	1663005200	OIL LINE PN 58 – GEARBOX	1	H8	4022200240	O-RING OR 4825	1
	1663005700	OIL LINE PN 84 – DIRECT DRIVE	1	H9	4024107009	HYDRAULIC MOTOR	1
	1663005300	OIL LINE PN 84 – GEARBOX	1	H10	4026136005	SCREW M8X12	1
23	1663011900	OIL LINE TO LUBR. PUMP PN 45 – D.DRIVE	1	H11	4026171211	STUD SCREW M12X80	2
	1663011800	OIL LINE TO LUBR. PUMP PN 45 – G.BOX	1	H12	4026171304	STUD SCREW M14X40	4
	1663012000	OIL LINE TO LUBR. PUMP PN 58 – D.DRIVE	1	H13	4026300020	COMPENSATION RING	1
	1663010400	OIL LINE TO LUBR. PUMP PN 58 – G.BOX	1	H14	4026350709	GROWER WASHER M12	2
	1663012100	OIL LINE TO LUBR. PUMP PN 84 – D.DRIVE	1	H15	4026350710	GROWER WASHER M14	4
	1663010300	OIL LINE TO LUBR. PUMP PN 84 – G.BOX	1	H16	4026351505	WASHER M8	3
24	1663010500	LUBR. PUMP SUCTION PIPE	1	H17	4026351506	WASHER M10	8
25	1680600100	VALVE HOUSING GASKET	1	H18	4026359001	WASHER 40X33,5X1,5	1
26	1680700200	VALVE STEAM COVER GASKET	1	H19	4026705001	EXTENDED CONNECTION H 36 MM	1
27	1680707500	OIL TANK COVER GASKET	1	H20	4026711003	DRIVE FLANGE AFS 104G 1"1/4	1
28	1680700400	END CAP GASKET	1	H21	4026711004	DRIVE FLANGE AFS 106G 1"1/2	1
29	1683600300	2000 MM OIL DIP STICK	1	H22	4026904003	PLUG 1"	1
29A	1673004100	DIPSTICK SLEEVE	1	H23	4029602700	GREASERS PROTECTION CAP	1
30	1684000000	DRAIN PLUG 3/8	1	H24	4026103004	SCREW M12X40	2
31	1685002800	WASHER FE 30X8,5	1	H25	4026102907	SCREW M10X25	8
32	1685100000	WASHER 14X20X1,5	1	H26	4026107110	SCREW M8X25	3
33	1685100200	WASHER 17X22X1,5	1	H27	4026308008	NUT M14	4
34	1687500300	PUMP HOUSING PN58	1	H28	4026305614	SELF LOCKING NUT M24X2	1
	1687500200	PUMP HOUSING PN45	1	H29	4026305508	SELF LOCKING NUT M12	2
	1687500400	PUMP HOUSING PN84	1	H30	4023100040	BEARING 40X90X23 6308	1
35	1691000000	VALVE SPRING	1	PNEUMATIC 4-WAY VALVE			
36	4022100010	GRESASER	1	P1	1608557Z7B0	PNEUMATIC ACTUATOR COCK	1
37	4022200030	SEAL RING 41X27X10 GP NBR	1	P2	161258B4B0	PNEUMATIC ACTUATOR SUPPORT	1
37A	1624202300	COCK REGULATING SPACER	1	P3	1640580QB0	PNEUMATIC ACTUATOR COVER	1
38	4022200110	SEAL RING 72X48X15	3	P4	167007ZAB0	PNEUMATIC ACTUATOR NUT	1
39	4022200240	O-RING OR 4825	2	P5	1680700200	COVER GASKET	1
40	4022200250	O-RING OR 6287	2	P6	168409PQB0	COCK REGULATION FERRULE	1
41	4022300001	NYLON FILTER D.6	1	P7	168529TFB0	COCK REGULATION SPACER	1
42	4026300020	COMPENSATION RING	2	P8	1691000200	COCK SPRING	1
43	4026350609	GROWER WASHER M12	4	P9	4022100100	SPHERICAL GREASER M6X1	1
44	4026350708	GROWER WASHER M10	4	P10	4022200005	SEAL 37X27X7	1
45	4026351505	WASHER M8	18	P11	4022200330	OR 3375	1
46	4026500018	TAB 6X10	1	P12	4022200331	OR 2137	1
SX47	4026706000	UNIV. CONNECTION 90 4X1/8	1	P13	4026102804	SCREWTE M8X16	4
DX47	4026702000	UNIV. CONNECTION DIR. 4X1/8	1	P14	4026102807	SCREWTE M8X25	4
47	4026702000	UNIV. CONNECTION DIR. 4X1/8	3	P15	4026121405	SCREWTEI M8X20	4
48	4026702004	UNIV. CONNECTION DIR. 6X1/8	1	P16	4026350505	WASHER GROWERM8	4
49	4029602700	GREASERS PROTECTION CAP	1	P17	4026351505	WASHER M8	8
50	4026351505	WASHER M8	7	P18	4027100405	PNEUMATIC ACTUATOR	1
				P19	4027421206	CONNECTION R15 6XG1/8	2

PN 45-58-84 M



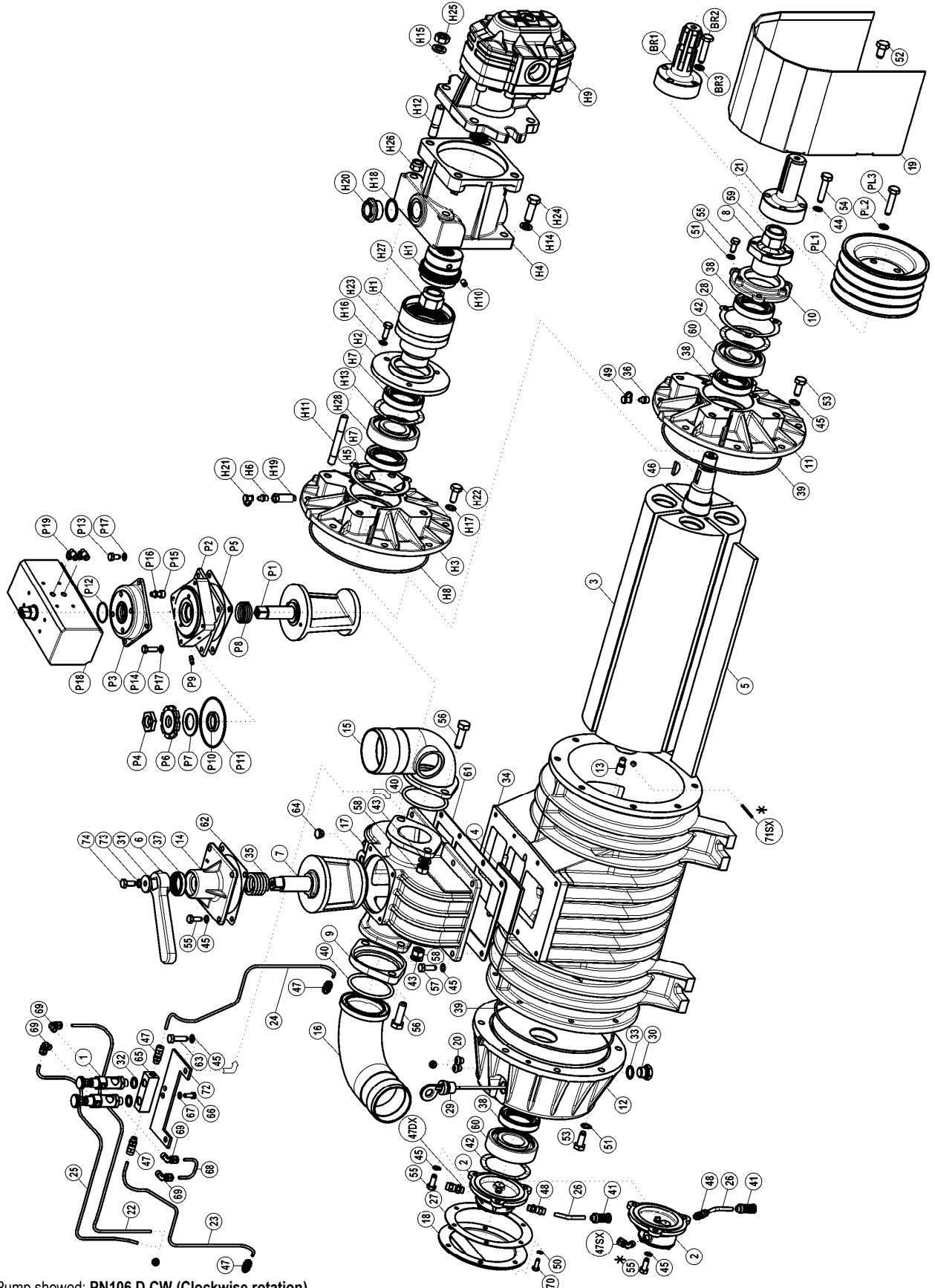
Pump showed: PN84 M - 540 Gearbox



PN45-58-84 M

Pos.	Code	Description	Q.ty	Pos.	Code	Description	Q.ty
540 RPM GEARBOX							
1	1401200400	DRIP OILER – 2 CONNECTIONS	1	42	4026102908	SCREW M8X30	7
2	1407200500	GEAR OIL PUMP DX	1	43	4026350709	GROWER WASHER 12	4
2A	1407202100	GEAR OIL PUMP SX	1	44	4026121808	SCREW TCEI M10X25	2
3	1521500300	ROTOR PN 58	1	45	4026351505	WASHER M8	22
	1521500200	ROTOR PN 45	1	46	4026500018	TAB 6X10	1
	1521500400	ROTOR PN 84	1	PS47	4026706000	UNIV. CONNECTION 90 4X1/8	1
4	1593600000	FLAPPER VALVE	1	47	4026702000	UNIV. CONNECTION DIR. 4X1/8	1
	1601600600	VANE PN 58 BK	3		4026702000	UNIV. CONNECTION DIR. 4X1/8	3
	1601600400	VANE PN 45 BK	4	48	4026702004	UNIV. CONNECTION DIR. 6X1/8	1
	1601600800	VANE PN 84 BK	4	49	1651000000	DRIVE GEAR Z48	1
6	1605500000	VALVE HANDLE	1	50	4026351505	WASHER M8	7
7	1608500000	CONVEYOR	1	51	4026351506	WASHER M10	14
8	4023100030	BEARING 40X80X18 6208	1	52	4026300020	COMPENSATION RING	2
9	1610100000	OUTLET PORT FLANGE	1	53	4026102907	SCREW M10X25	14
10	4023100020	BEARING 35X72X17 6207	1	54	1651000100	PINION GEAR Z19	1
11	1610500000	G.BOX DRIVE END PLATE	1	55	4026102806	SCREW M8X20	7
12	1612500300	OIL TANK	1	56	4026103004	SCREW M12X40	4
13	1622002600	OIL PUMP DRIVE	1	57	4026102807	SCREW M8X25	8
14	1623100000	END CAP	1	58	4026308007	NUT M12	4
15	1627100100	SUCTION MANIFOLD D.60	1	59	4026102806	SCREW M8X20	7
15	1627100200	SUCTION MANIFOLD D.76	1	60	4026102802	SCREW M8X12	3
16	1627100500	EXHAUST MANIFOLD D.76	1	61	4022200040	SEAL RING 72X40X10	1
17	1627500000	STANDARD MANIFOLD	1	62	1685100100	WASHER 10X16X1,5	2
18	1640101100	OIL TANK COVER	1	63	1680700000	END COVER GASKET	1
19	4023100040	BEARING 40X90X23 6308	2	64SX	4026414617	PLUG 3X40 6873	1
20	1642600000	OIL LINE RUBBER PROTECTION	2	65	4026308005	HEXAGONAL NUT M8	1
21	4026305614	SELF LOCKING NUT M24X2	1	66	4026135414	STUD SCREW M8X45	1
22	1663014700	OIL LINE OUTLET SIDE PN45 M MIXER	1	FLANGED MANIFOLD			
	1663028500	FL OIL OUTLET PIPE	1	FL1	1401200400	DRIP OILER – 2 CONNECTIONS	1
	1663005100	OIL LINE PN 45 – GEARBOX	1	FL2	1610506400	FLANGE FL	1
	1663015100	OIL LINE OUTLET SIDE PN58 M MIXER	1	FL3	1680600100	VALVE HOUSING GASKET	1
	1663022400	OIL LINE OUTLET SIDE PN84 FL	1	FL4	1685100000	WASHER 14X20X1,5	1
	1663005200	OIL LINE PN 58 – GEARBOX	1	FL5	4026190001	THREADED RING M12	1
	1663015500	OIL LINE OUTLET SIDE PN84 M MIXER	1	FL6	4026351505	WASHER M8	8
	1663022400	OIL LINE OUTLET SIDE PN84 FL	1	FL7	4026706000	UNIV. CONNECTION 90 4X1/8 1020	2
	1663005300	OIL LINE PN 84 – GEARBOX	1	FL8	4026102801	SCREW M8X35	8
23	1663014800	OIL LINE INLET SIDE PN45 M MIXER	1	FL9	1663022500	OIL LINE INLET SIDE PN84 FL	1
	1663028600	FL OIL INLET PIPE	1	FL10	1663022400	OIL LINE OUTLET SIDE PN84 FL	1
	1663011800	OIL LINE TO LUBR. PUMP PN 45 – G.BOX	1	MIXER MANIFOLD			
	1663015200	OIL LINE INLET SIDE PN58 M MIXER	1	M1	1605500000	VALVE HANDLE	1
	1663022500	OIL LINE INLET SIDE PN58 FL	1	M2	1608500100	MIXER MANIFOLD	1
	1663010400	OIL LINE TO LUBR. PUMP PN 58 – G.BOX	1	M3	1610100000	OUTLET PORT FLANGE	1
	1663015600	OIL LINE INLET SIDE PN84 M MIXER	1	M4	1623100000	END CAP	1
	1663022500	OIL LINE INLET SIDE PN84 FL	1	M5	1627100200	SUCTION MANIFOLD D.76	1
	1663010300	OIL LINE TO LUBR. PUMP PN 84 – G.BOX	1	M6	1627100500	EXHAUST MANIFOLD D.76	1
24	1663010500	LUBR. PUMP SUCTION PIPE	1	M7	1627100700	SUCTION MANIFOLD D.60 - MIXER	1
25	1680600100	VALVE HOUSING GASKET	1	M7	1627100900	SUCTION MANIFOLD D.80 - MIXER	1
26	1680700200	VALVE STEM COVER GASKET	1	M8	1627500100	MIXER MANIFOLD	1
27	1680707500	OIL TANK COVER GASKET	1	M9	1680600100	VALVE HOUSING GASKET	1
28	1612503100	GEARBOX	1	M10	1680700200	VALVE STEM COVER GASKET	1
29	1683600300	200 MM OIL DIP STICK	1	M11	1680700600	MIXER CONNECTION GASKET	1
29A	1673004100	DIPSTICK SLEEVE	1	M12	1685002800	WASHER FE 30X8,5	1
30	1684000000	DRAIN PLUG 3/8	4	M13	1691000000	VALVE SPRING	1
31	1685002800	WASHER FE 30X8,5	1	M14	4022200030	SEAL RING 41X27X10	1
32	1685100000	WASHER 14X20X1,5	1	M15	4022200250	O-RING OR 6287	2
33	1685100200	WASHER 17X22X1,5	4	M16	4026350709	GROWER WASHER 12	6
34	1687500300	PUMP HOUSING PN58	1	M17	4026351505	WASHER M8	13
	1687500200	PUMP HOUSING PN45	1	M18	4026103004	SCREW M12X40	6
	1687500400	PUMP HOUSING PN84	1	M19	4026102806	SCREW M8X208	5
35	1691000000	VALVE SPRING	1	M20	4026102807	SCREW M8X25	8
36	4022200110	SEAL RING 72X48X15	2	M21	4026308007	NUT M12	6
37	4022200030	SEAL RING 41X27X10 GP NBR	1	22	1663014700	OIL LINE OUTLET SIDE PN45 M MIXER	1
37A	1624202300	COCK REGULATING SPACER	1	22	1663015100	OIL LINE OUTLET SIDE PN58 M MIXER	1
38	4029602806	CARDAN SHAFT PROTECTION	1	22	1663015500	OIL LINE OUTLET SIDE PN84 M MIXER	1
39	4022200240	O-RING 4825	2	23	1663014800	OIL LINE INLET SIDE PN45 M MIXER	1
40	4022200250	O-RING 6287	2	23	1663015200	OIL LINE INLET SIDE PN58 M MIXER	1
41	4022300001	NYLON FILTER D.6	1	23	1663015600	OIL LINE INLET SIDE PN84 M MIXER	1

PN 106 D



Pump showed: PN106 D CW (Clockwise rotation)



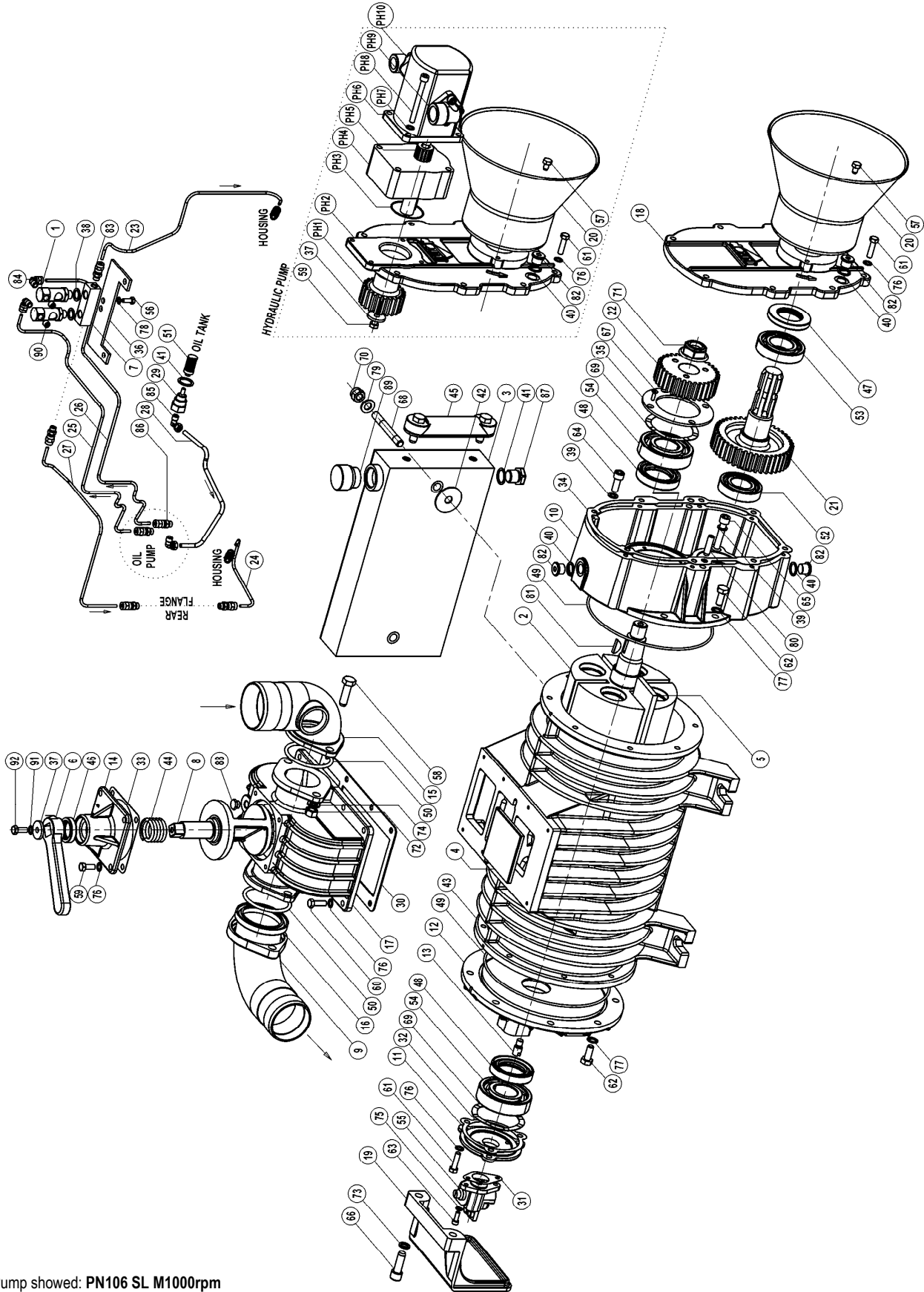
PN106 D

Pos.	Code	Description	Q.ty	Pos.	Code	Description	Q.ty
PN106 DIRECT DRIVE - SMOOTH SHAFT							
1	1401200400	DRIP OILER – 2 CONNECTIONS	2	62	1680700200	VALVE STEM COVER GASKET	1
2	1407200500	GEAR OIL PUMP DX	1	63	4026102808	SCREW M8X30	2
2A	1407202100	GEAR OIL PUMP SX	1	64	4026905002	PLUG 1/2"	1
3	1521500500	PUMP ROTOR	1	65	1608100000	HYD. CONTROL VALVE	1
4	1593600000	FLAPPER VALVE	1	66	4026102704	SCREW M6X16	2
5	1601601000	VANE PN 106	4	67	4026351504	WASHER M6	2
6	1605500000	VALVE HANDLE	1	68	1663011000	OILER CONNECTION PIPE	1
7	1608500000	CONVEYOR	1	69	4026706000	UNIV. CONNECTION 90 4X1/8 1020	4
8	1610006600	FLANGE FOR DIRECT DRIVE	1	70	4026102704	SCREW M8X20	7
9	1610100000	OUTLET PORT FLANGE	1	71SX	4026414617	PLUG 3X40 6873	1
10	1610500400	END CAP	1	72	1681100100	OILER SUPPORT PLATE	1
11	1610500500	DIRECT DRIVE END PLATE	1	73	4026308005	HEXAGONAL NUT M8	1
12	1612500300	OIL TANK	1	74	4026135414	STUD SCREW M8X45	1
13	1622002600	OIL PUMP DRIVE	1	PN106 HYDRAULIC DRIVE			
14	1623100000	END CAP	1	H1	1470100400	JOINT GA 100	1
15	1627100300	SUCTION MANIFOLD D.80	1	H2	1610005500	HYD. DRIVE FLANGE	1
16	1627100500	EXHAUST MANIFOLD D.76	1	H3	1610500500	DIRECT DRIVE END PLATE	1
17	1627500000	STANDARD MANIFOLD	1	H4	1612501400	HYD. DRIVE GEARBOX	1
18	1640101100	OIL TANK COVER	1	H5	1680700400	END CAP GASKET	1
19	1642003000	CARDAN SHAFT PROTECTION	1	H6	4022100010	GREASER	1
20	1642600000	OIL LINE RUBBER PROTECTION	2	H7	4022200110	SEAL RING 72X48X15	2
21	1650004300	SMOOTH FLANGED SHAFT	1	H8	4022200240	O-RING OR 4825	1
22	1663025200	OIL LINE DX	1	H9	4024107001	HYDRAULIC MOTOR	1
22	1663018700	OIL LINE SX	1	H10	4026136005	SCREW M8X12	1
23	1663018500	OIL LINE DX	1	H11	4026171211	STUD SCREW M12X80	2
23	1663018600	OIL LINE SX	1	H12	4026171304	STUD SCREW M14X40	4
24	1663018600	OIL LINE DX	1	H13	4026300020	COMPENSATION RING	1
24	1663018500	OIL LINE SX	1	H14	4026350709	GROWER WASHER M12	2
25	1663025100	OIL LINE DX	1	H15	4026350710	GROWER WASHER M14	4
25	1663018400	OIL LINE SX	1	H16	4026351505	WASHER M8	3
26	1663010500	LUBR. PUMP SUCTION PIPE	1	H17	4026351506	WASHER M10	8
27	1680707500	OIL TANK COVER GASKET	1	H18	4026359001	WASHER 40X33.5X1.5	1
28	1680700400	END CAP GASKET	1	H19	4026705001	EXTENDED CONNECTION H 36 MM	1
29	1683600300	200 MM OIL DIP STICK	1	H20	4026904003	PLUG 1"	1
29A	1673004100	DIPSTICK SLEEVE	1	H21	4029602700	GREASERS PROTECTION CAP	1
30	1684000000	DRAIN PLUG 3/8	1	H22	4026102907	SCREW M10X25	8
31	1685002800	WASHER FE 30X8,5	1	H23	4026102807	SCREW M8X25	3
32	1685100000	WASHER 14X20X1.5	2	H24	4026103004	SCREW M12X40	2
33	1685100200	WASHER 17X22X1,5	1	H25	4026308008	NUT M14	4
34	1687500500	HOUSING PN106	1	H26	4026305508	SELF LOCKING NUT M12	2
35	1691000000	VALVE SPRING	1	H27	4026305614	SELF LOCKING NUT M24X2	1
36	4022100010	GREASER	1	H28	4023100040	BEARING 40X90X23 6308	1
37	4022200030	SEAL RING 41X27X10 GP NBR	1	SPLINED SHAFT			
37A	1624202300	COCK REGULATING SPACER	1	BR1	1650004700	SPLINED SHAFT 1" 3/8	1
38	4022200110	SEAL RING 72X48X15	3	BR2	4026102911	SCREW M10X45	4
39	4022200240	O-RING OR 4825	2	BR3	4026350708	GROWER WASHER M10	4
40	4022200250	RING OR 6287	2	PULLEY D. 150			
41	4022300001	NYLON FILTER D.6	1	PL1	1653501000	PULLEY SPB 150X4	1
42	4026300020	COMPENSATION RING	2	PL2	4026350708	GROWER WASHER M10	4
43	4026350609	GROWER WASHER M12	4	PL3	4026102806	SCREW M8X20	4
44	4026350708	GROWER WASHER M10	4	PNEUMATIC 4-WAY VALVE			
45	4026350909	WASHER M8	18	P1	1608557Z7B0	PNEUMATIC ACTUATOR COCK	1
46	4026500018	TAB 6X10	1	P2	161258B4B0	PNEUMATIC ACTUATOR SUPPORT	1
47SX	4026702004	UNIV. CONNECTION. DIR. 6X1/8 1050	1	P3	1640580QB0	PNEUMATIC ACTUATOR COVER	1
47DX	4026702000	UNIV. CONNECTION DIR. 4X1/8 1050	1	P4	167007ZAB0	PNEUMATIC ACTUATOR NUT	1
47	4026702000	UNIV. CONNECTION DIR. 4X1/8 1050	3	P5	1680700200	COVER GASKET	1
48	4026702004	UNIV. CONNECTION DIR. 6X1/8 1050	1	P6	168409PQB0	COCK REGULATION FERRULE	1
49	4029602700	GREASERS PROTECTION CAP	1	P7	168529TFB0	COCK REGULATION SPACER	1
50	4026351505	WASHER M8	7	P8	1691000200	COCK SPRING	1
51	4026351506	WASHER M10	16	P9	4022100100	SPHERICAL GREASER M6X1	1
52	4026103000	SCREW M12X20	4	P10	4022200005	SEAL 37X27X7	1
53	4026102907	SCREW M10X25	16	P11	4022200330	OR 3375	1
54	4026102911	SCREW M10X45	4	P12	4022200331	OR 2137	1
55	4026102806	SCREW M8X20	10	P13	4026102804	SCREWTE M8X16	4
56	4026103004	SCREW M12X40	4	P14	4026102807	SCREWTE M8X25	4
57	4026102807	SCREW M8X25	6	P15	4026121405	SCREWTEI M8X20	4
58	4026308007	NUT M12	4	P16	4026350505	WASHER GROWERM8	4
59	4026305614	SELF LOCKING NUT M24X2	1	P17	4026351505	WASHER M8	8
60	4023100040	BEARING 40X90X23 6308	2	P18	4027100405	PNEUMATIC ACTUATOR	1
61	1680600100	VALVE HOUSING GASKET	1	P19	4027421206	CONNECTION R15 6XG1/8	2

PN106 M

Pos.	Code	Description	Q.ty	Pos.	Code	Description	Q.ty
540 RPM GEARBOX				48	4026702004	UNIV. CONNECTION DIR. 6X1/8 1050	1
1	1401200400	DRIP OILER – 2 CONNECTIONS	2	49	1680700000	END COVER GASKET	1
2	1407200500	GEAR OIL PUMP DX	1	50	4026351505	WASHER M8	7
2A	1407202100	GEAR OIL PUMP SX	1	51	4026351506	WASHER M10	14
3	1521500500	PUMP ROTOR	1	52	1680700200	VALVE STEM COVER GASKET	1
4	1593600000	FLAPPER VALVE	1	53	4026102907	SCREW M10X25	14
5	1601601000	VANE	4	54	4023100020	BEARING 35 X 72 X 17 6207	1
6	1605500000	VALVE HANDLE	1	55	4026102806	SCREW M8X20	7
7	1608500000	CONVEYOR	1	56	4026103004	SCREW M12X40	4
8	4026102407	SCREW M8X20	7	57	4026102807	SCREW M8X25	6
9	1610100000	OUTLET PORT FLANGE	1	58	4026308007	NUT M12	4
10	4026102802	SCREW M8X12	3	59	4026305614	SELF LOCKING NUT M24X2	1
11	4026500018	TAB 6X10	1	60	4023100040	BEARING 40X90X23 6308	2
12	1612500300	OIL TANK	1	61	4026905002	PLUG 1/4"	1
13	1622002600	OIL PUMP DRIVE	1	62	1608100000	HYD. CONTROL VALVE	1
14	1623100000	END CAP	1	63	4022200040	SEAL RING 72X40X10	1
15	1627100300	SUCTION MANIFOLD D.80	1	64	4026102704	SCREW M6X16	2
16	1627100500	EXHAUST MANIFOLD D.76	1	65	4022200110	SEAL RING 72X48X15	2
17	1627500000	STANDARD MANIFOLD	1	66	1663011000	OILER CONNECTION PIPE	1
18	1640101100	OIL TANK COVER	1	67	4026706000	UNIV. CONNECTION 90 4X1/8 1020	5
19	1610500000	G.BOX DRIVE END PLATE	1	68	4023100030	BEARING 40X80X18 6208	1
20	1642600000	OIL LINE RUBBER PROTECTION	2	69	4026120505	SCREW TCEI M10X25	2
21	1612503100	GEARBOX	1	70	4026107111	SCREW M8X30	9
22	1663018600	OIL LINE DX	1	71SX	4026414617	PLUG 3X40 6873	1
	1663018500	OIL LINE SX	1	72	1681100100	OILER SUPPORT PLATE	1
23	1663018500	OIL LINE DX	1	73	4026308005	HEXAGONAL NUT M8	1
	1663018600	OIL LINE SX	1	74	4026135414	STUD SCREW M8X45	1
24	1663025200	OIL LINE DX	1	FLANGED MANIFOLD			
	1663018700	OIL LINE SX	1	FL1	1610506400	FLANGE FL	1
25	1663025100	OIL LINE DX	1	FL2	1680600100	VALVE HOUSING GASKET	1
	1663018400	OIL LINE SX	1	FL3	4026190001	THREADED RING M12	1
26	1663010500	LUBR. PUMP SUCTION PIPE	1	FL4	4026350909	WASHER M8	8
27	1680700300	OIL TANK COVER GASKET	1	FL5	4026102801	SCREW M8X35	8
28	4029602806	CARDAN SHAFT PROTECTION	1	FL6	4026905002	PLUG 1/4"	1
29	1683600300	200 MM OIL DIP STICK	1	PN MIX COLLECTOR			
29A	1673004100	DIPSTICK SLEEVE	1	M1	1605500000	VALVE HANDLE	1
30	1684000000	DRAIN PLUG 3/8	4	M2	1608500100	MIXER MANIFOLD	1
31	1685002800	WASHER 30X8,5	1	M3	1610100000	OUTLET PORT FLANGE	1
32	1685100000	WASHER 14X20X1,5	2	M4	1623100000	END CAP	1
33	1685100200	WASHER 17X22X1,5	4	M5	1627100200	SUCTION MANIFOLD D.76	1
34	1687500500	HOUSING PN106	1	M6	1627100500	EXHAUST MANIFOLD D.76	1
35	1691000000	VALVE SPRING	1	M7	1627100800	SUCTION MANIFOLD DIA 80 - MIXER	1
36	1651000000	DRIVE GEAR Z48	1	M8	1627500100	MIXER MANIFOLD	1
37	4022200030	SEAL RING 41X27X10 GP NBR	1	M9	1680600100	VALVE HOUSING GASKET	1
37A	1624202300	COCK REGULATING SPACER	1	M10	1680700200	VALVE STEM COVER GASKET	1
38	1651000100	PINION GEAR Z19	1	M11	1680700600	MIXER CONNECTION GASKET	1
39	4022200240	O-RING OR 4825	2	M12	1685002800	WASHER FE 30X8,5	1
40	4022200250	RING OR 6287	2	M13	1691000000	VALVE SPRING	1
41	4022300001	NYLON FILTER D.6	1	M14	4022200030	SEAL RING 41X27X10 GP NBR	1
42	4026300020	COMPENSATION RING	2	M15	4022200250	RING OR 6287	2
43	4026350709	GROWER WASHER M12	4	M16	4026350609	GROWER WASHER M12	6
44	1680600100	VALVE HOUSING GASKET	1	M17	4026350909	WASHER M8	13
45	4026351505	WASHER M8	22	M18	4026103004	SCREW M12X40	6
46	1685100100	WASHER 10X16X1,5	2	M19	4026107108	SCREW M8X20	5
DX47	4026702000	UNIV. CONNECTION .DIR. 4X1/8	4	M20	4026107110	SCREW M8X25	6
47	4026702000	UNIV. CONNECTION .DIR. 4X1/8	3	M21	4026308007	NUT M12	6

PN 106SL M1000 RPM



Pump showed: PN106 SL M1000rpm

PN106 sl M1000 rpm

Pos.	Code	Description	Q.ty	Pos.	Code	Description	Q.ty
PN106 1000 RPM GEARBOX				52	4023100020	BEARING 6207	1
1	1401200700	DRIP OILER – 2 CONNECTIONS	2	53	4023100030	BEARING 6208	1
2	1521500500	PUMP ROTOR	1	54	4023100040	BEARING 6308	2
3	1587009400	OIL TANK	1	55	4024251000	OIL PUMP	1
4	1593600000	FLAPPER VALVE	1	56	4026102704	SCREW M6X16	2
5	1601601000	VANE PN106 BK	4	57	4026102802	SCREW M8X12	3
6	1605500000	VALVE HANDLE	1	58	4026103004	SCREW M12X40	4
7	1608100000	HYD CONVEYOR	1	59	4026107108	SCREW M8X20	4
8	1608500000	CONVEYOR	1	60	4026107110	SCREW M8X25	8
9	1610100000	OUTLET PORT FLANGE	1	61	4026107111	SCREW M8X30	11
10	1610512500	G.BOX DRIVE END PLATE	1	62	4026107210	SCREW M10X25	12
11	16105CF2B0	OIL PUMP FLANGE	1	63	4026120304	SCREW M6X16	2
12	16105E5BB0	REAR PLATE	1	64	4026120505	SCREW M10X25	2
13	1622002600	OIL PUMP DRIVE	1	65	4026120510	SCREW M10X50	2
14	1623100000	END CAP	1	66	4026121710	SCREW M12X35	2
15	1627100300	SUCTION MANIFOLD D.80	1	67	4026155505	SCREW M5X16	4
16	1627100500	EXHAUST MANIFOLD D.76	1	68	4026171211	THREADED ROD M12X80	2
17	1627500000	STANDARD MANIFOLD	1	69	4026300020	COMPENSATION RING	2
18	1640003900	G.BOX FRONT FLANGE	1	70	4026305508	BOLT M12 SELF LOCKING	2
19	1642100200	REAR PROTECTION	1	71	4026305614	BOLT M24X2 SELF LOCKING	1
20	4029602806	CARDAN SHAFT PROTECTION	1	72	4026308007	BOLT M12	4
21	1651009600	DRIVING GEAR	1	73	4026350508	WASHER GROWER M12 SQUARE	2
22	1651009700	DRIVED GEAR	1	74	4026350609	WASHER GROWER M12 FLAT	4
23	1663018500	OIL LINE	1	75	4026350908	WASHER M6	2
24	1663062900	OIL LINE	1	76	4026350909	WASHER M8	23
25	16630DJL00	OIL LINE	1	77	4026350910	WASHER M10	12
26	16630DJM00	OIL LINE	1	78	4026351504	WASHER M6	2
27	16630DJN00	OIL LINE	1	79	4026357007	WASHER M12	2
28	16630DJP00	OIL LINE	1	80	4026401806	PIN 10X36	2
29	1673001000	OIL FILTER PLUG	1	81	4026500018	TAB 6X10	1
30	1680600100	VALVE HOUSING GASKET	1	82	4026701602	PLUG 3/8"	3
31	1680609700	OIL PUMP GASKET	1	83	4026702000	UNIV. CONNECTION 4X1/8	8
32	1680609800	OIL PUMP FLANGE GASKET	1	84	4026706000	UNIV. CONNECTION 90° 4X1/8	2
33	1680700200	END CAP GASKET	1	85	4026706003	UNIV. CONNECTION 90° 6X1/8	2
34	1680708900	GEAR BOX GASKET	1	86	4026706101	UNIV. CONNECTION 4X1/8 OR.	2
35	1681007900	GEAR BOX FLANGE	1	87	4026904503	PLUG M20X1.5	1
6	1681100100	DRIP OILER SUPPORT	1	88	4026905002	PLUG ¼"	1
37	1685002800	WASHER 30X8.5X4	1	89	4026910103	PLUG 1"	1
38	1685100000	WASHER AL 14X20X1.5	2	90	4026910601	CONIC PLUG 1/8"	2
39	1685100100	WASHER AL 10X16X1.5	4	91	4026308005	HEXAGONAL NUT M8	1
40	1685100200	WASHER AL 17X22X1.5	3	92	4026135414	STUD SCREW 12.9 M8X45	1
41	1685100300	WASHER	2	PN106 1000 RPM GEARBOX WITH HYDRAULIC PUMP			
42	1685600200	WASHER VULKOLAN 47.5X13X2	2	PH1	1651009800	OIL PUMP GEAR	1
43	16875E3SB0	HOUSING	1	PH2	1640003800	G.BOX FRONT FLANGE/HDR	1
44	1691000000	SPRING	1	PH3	4022200320	OR 2200 VITON	1
45	40221006001	OIL SIGHT	1	PH4	4024205305	OIL PUMP SUPPORT	1
46	4022200030	Y SEAL 41X27X10	1	PH5	4025240108	JOINT	1
46A	1624202300	COCK REGULATING SPACER	1	PH6	4024205709	OIL PUMP	1
47	4022200040	Y SEAL 72X40X10	1	PH7	4026350909	WASHER M8	4
48	4022200110	Y SEAL 72X48X15	2	PH8	4026120414	SCREW M8X80	4
49	4022200240	OR 4825	2	PH9	4026710015	CONNECTION ¾"	1
50	4022200250	OR 6287	2	PH10	4026710013	CONNECTION ½"	1
51	4022300001	OIL FILTER	1				