



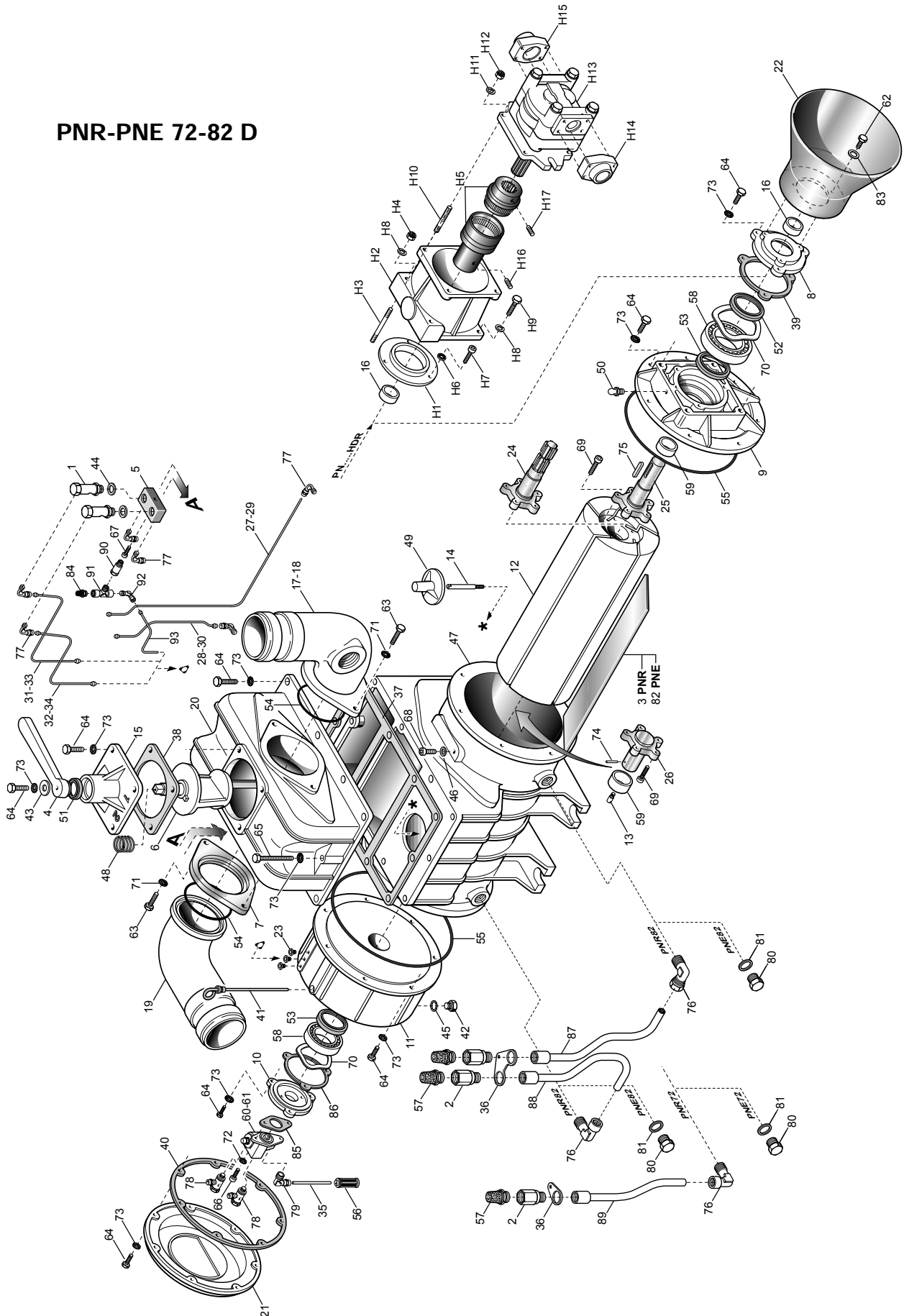
PNR Series



Parts Breakdown

Parts list layout

PNR-PNE 72-82 D



Parts list PNR-PNE 72-82 D

Pos. Code	Description	Quantity
1	1401200700 Oil dripper automatic lubrication	2
2	1493300200 Air injection valve PNR 72	1
	1493300200 Air injection valve PNR 82	2
3	1601605700 Vane PNR 72	5
	1601605800 Vane PNR 82	5
4	1605500000 Handle R-PNR-PNE	1
5	1508100000 Distributor PR-PNR-PNE	1
6	1608501700 Conveyor PNR-PNE 72-82	1
7	1610100000 Turning conveyor flange	1
8	1610500400 Flange R-PNR-PNE 72-82 D	1
9	1610508400 Flange PNR-PNE 72-82 D	1
10	1610508500 Automatic lubrication pump flange R-PNR-PNE	1
11	1612503300 Oil tank PNR-PNE 72-82	1
12	1621503300 Rotor PNR-PNE 72	1
	1621503400 Rotor PNR-PNE 82	1
13	1622002600 Shaft M10	1
14	1622007800 Check valve shaft PNR-PNE 72-82-102-122	1
15	1623100000 Conveyor cap PNR-PNE 72-82	1
16	1626001300 Bushing PNR-PNE 72-82 D	1
17	1627100200 Conveyor Ø76 with safety valve connection	1
18	1627100300 Conveyor Ø80 with safety valve connection	1
19	1627100500 Turning conveyor Ø76	1
20	1627504300 Manifold PNR-PNE 72-82	1
21	1640101100 Oil tank cap PNR-PNE 72-82	1
22	4029602806 Drive shaft protection	1
23	1642600000 Pipeline protection	3
24	1650014100 Front splined shaft PNR-PNE 72-82 D	1
25	1650014200 Front smooth shaft PNR-PNE 72-82 D	1
26	1650014300 Rear shaft PNR-PNE 72-82	1
27	1663036400 Front lubricating line PNR-PNE 72 D lh/M rh	1
	1663037600 Front lubricating line PNR-PNE 82 D lh/M rh	1
28	1663036500 Rear lubricating line PNR-PNE 72 D lh/M rh	1
	1663037700 Rear lubricating line PNR-PNE 82 D lh/M rh	1
29	1663036800 Front lubricating line PNR-PNE 72 D rh/M lh	1
	1663038000 Front lubricating line PNR-PNE 82 D rh/M lh	1
30	1663036900 Rear lubricating line PNR-PNE 72 D rh/M lh	1
	1663038100 Rear lubricating line PNR-PNE 82 D rh/M lh	1
31	1663037000 External oil dripper line PNR-PNE 72 D lh/M rh	1
	1663038300 External oil dripper line PNR-PNE 82 D lh/M rh	1
32	1663037100 Internal oil dripper line PNR-PNE 72 D lh/M rh	1
	1663038200 Internal oil dripper line PNR-PNE 82 D lh/M rh	1
33	1663037200 External oil dripper line PNR-PNE 72 D rh/M lh	1
	1663038400 External oil dripper line PNR-PNE 82 D rh/M lh	1
34	1663037300 Internal oil dripper line PNR-PNE 72 D rh/M lh	1
	1663038500 Internal oil dripper line PNR-PNE 82 D rh/M lh	1
35	1663041200 Suction line for aut. lubric. pump PNR-PNE 72-82	1
36	1681007100 Air injection pipes bracket PNR 72	1
	1681007000 Air injection pipes bracket PNR 82	1
37	1680608800 Manifold gasket PNR-PNE 72-82	1
38	1680700200 Conveyor gasket PNR-PNE 72-82	1
39	1680700400 Flange gasket PNR-PNE 72-82 D	1
40	1680707500 Oil tank cap gasket PNR-PNE 72-82	1
41	1683600000 Oil stick	1
42	1684000000 Plug G3/8	1
43	1685002800 Washer 30x8,5x4	1
44	1685100000 Alu washer 14x20x1,5	2
45	1685100200 Alu washer 17x22x1,5	1
46	1685100800 Alu washer 8x14x1,5	1
47	1687505800 Housing PNR-PNE 72	1
	1687505700 Housing PNR-PNE 82	1
48	1691000000 Conveyor spring	1
49	1693500300 Check valve PNR-PNE 72-82	1
50	4022100010 Greasing nipple M10x1	1
51	4022200030 Seal 41x27x10	1
52	4022200040 Seal 72x40x10	1
53	4022200111 Seal 72x48x15	2
54	4022200307 OR 6287	2
55	4022200308 OR 4775	2
56	4022300001 Nylon filter Ø6	1
57	4022301004 Silencer-filter 3/4" PNR 72	1
	4022301004 Silencer-filter 3/4" PNR 82	2
58	4023100040 Bearing 6308	2

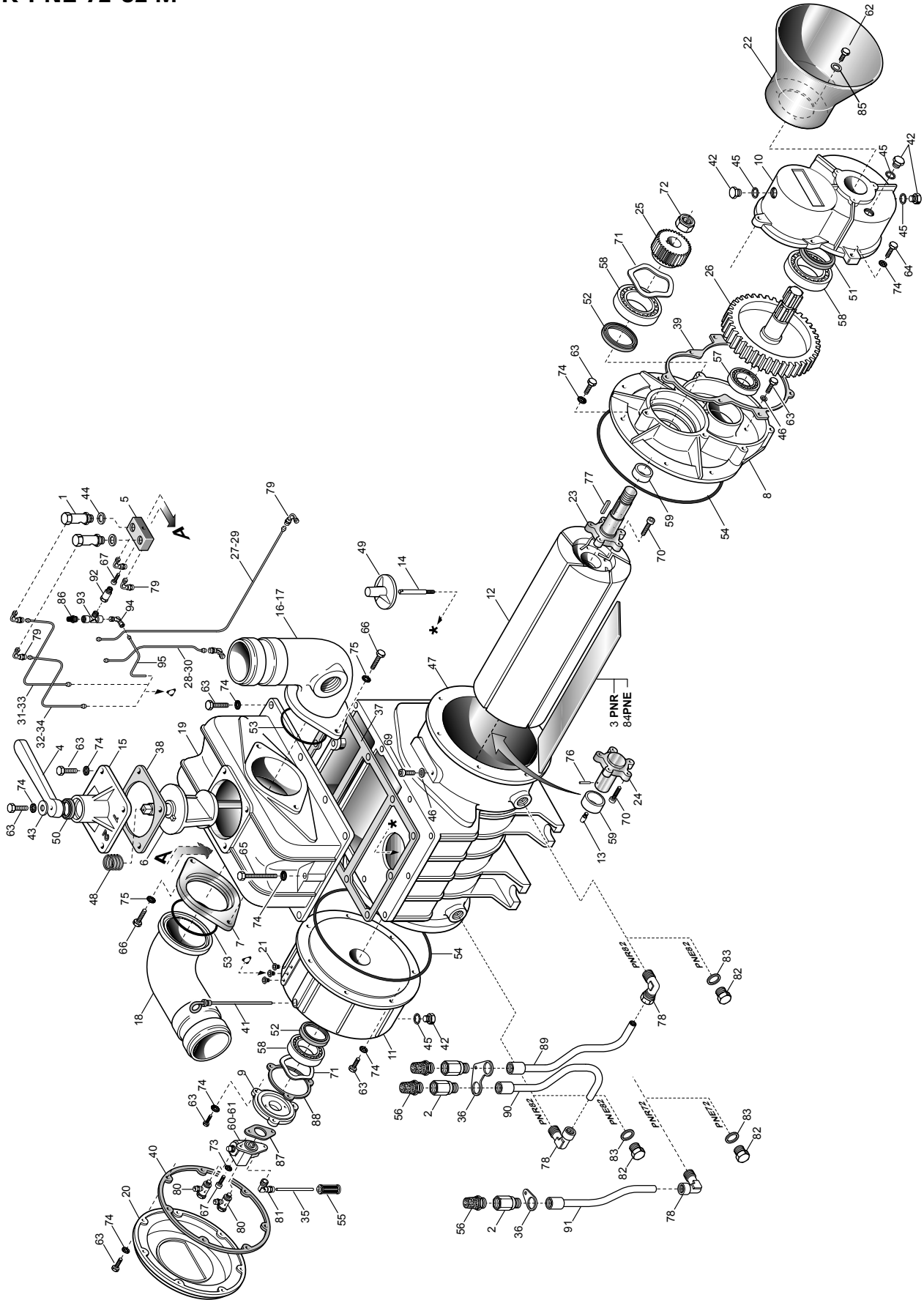
Pos. Code	Description	Quantity
59	1624007500 Bushing 48x40x22	2
60	4024251000 Automatic lubricating pump (cw rotation)	1
61	4024251500 Automatic lubricating pump (ccw rotation)	1
62	4026101404 Screw M8x12 galvanized	3
63	4026103003 Screw M12x35 galvanized	4
64	4026107110 Screw M8x25	40
65	4026107117 Screw M8x60	2
66	4026120304 Screw M6x16	2
67	4026120300 Screw M6x14	1
68	4026120400 Screw M8x12	1
69	1672001600 PNR rotor screw M10	10
70	4026300020 Compensation ring Ø90	2
71	4026350609 Grower washer M12	4
72	4026350908 Washer M6	2
73	4026350909 Washer M8	42
74	4026414617 Pin 3x40 (*)	1
75	4026500909 Tab 10x8x50	1
76	4026701310 Fitting G1/2 PNR 72	1
	4026701310 Fitting G1/2 PNR 82	2
77	4026706000 Fitting 90° Ø4-1/8	6
78	4026706101 Fitting Ø4-1/8	2
79	4026706003 Fitting 90° Ø6-1/8	1
80	4026904001 Plug G1/2 PNR-PNE 72	1
	4026904001 Plug G1/2 PNR-PNE 82	2
81	4026359003 Alu washer 21,5x26x1,5 PNR-PNE 72	1
	4026359003 Alu washer 21,5x26x1,5 PNR-PNE 82	2
82	1601605300 Vane PNE 72	5
	1601605400 Vane PNE 82	5
83	4026356002 Flat washer M8 galvanized	3
84	4022301001 Oil block filter G 1/4	1
85	1680609700 Oil pump gasket	1
86	1680609800 Oil pump flange gasket	1
87	1563008100 Air injection pipe r. PNR 82	1
88	1563008200 Air injection pipe l. PNR 82	1
89	1563008300 Air injection pipe PNR 72	1
90	4026705702 Oil drain extention	1
91	4026702502 Oil drain T fitting	1
92	4026706004 Fitting 90° G1/4 ø6	1
93	1663042900 Oil drain line PNR 72 D rh	1
	1663043000 Oil drain line PNR 72 D lh	1
	1663043100 Oil drain line PNR 82 D rh	1
	1663043200 Oil drain line PNR 82 D lh	1

(*): on models with ccw (left hand) rotation

PNR-PNE 72-82 HDR

Pos. Code	Description	Quantity
H1	1610005500 Centering flange PNR 72-82 HDR	1
H2	1612501000 Bracket PNR-PNE ... HDR	1
H3	4026171211 Stud screw M12x80	2
H4	4026305508 Nut M12	2
H5	1470102900 Coupling PNR 72-82 HDR	1
H6	4026350909 Washer M8	3
H7	4026107110 Screw M8x25	3
H8	4026350609 Grower washer M12	4
H9	4026107313 Screw M12x40	2
H10	4026171304 Stud screw M14x40	4
H11	4026350610 Grower washer M14	4
H12	4026300808 Nut M14	4
H13	4024107008 Motor PNR-PNE 72-82 HDR	1
H14	4026711002 Flange G1	1
H15	4026711003 Flange G1 1/4	1
H16	4026136004 Dowel pin M8x10	1
H17	4026136006 Dowel pin M8x14	1
	1892002500 Gaskets kit PNR-PNE 72-82 D	1

PNR-PNE 72-82 M

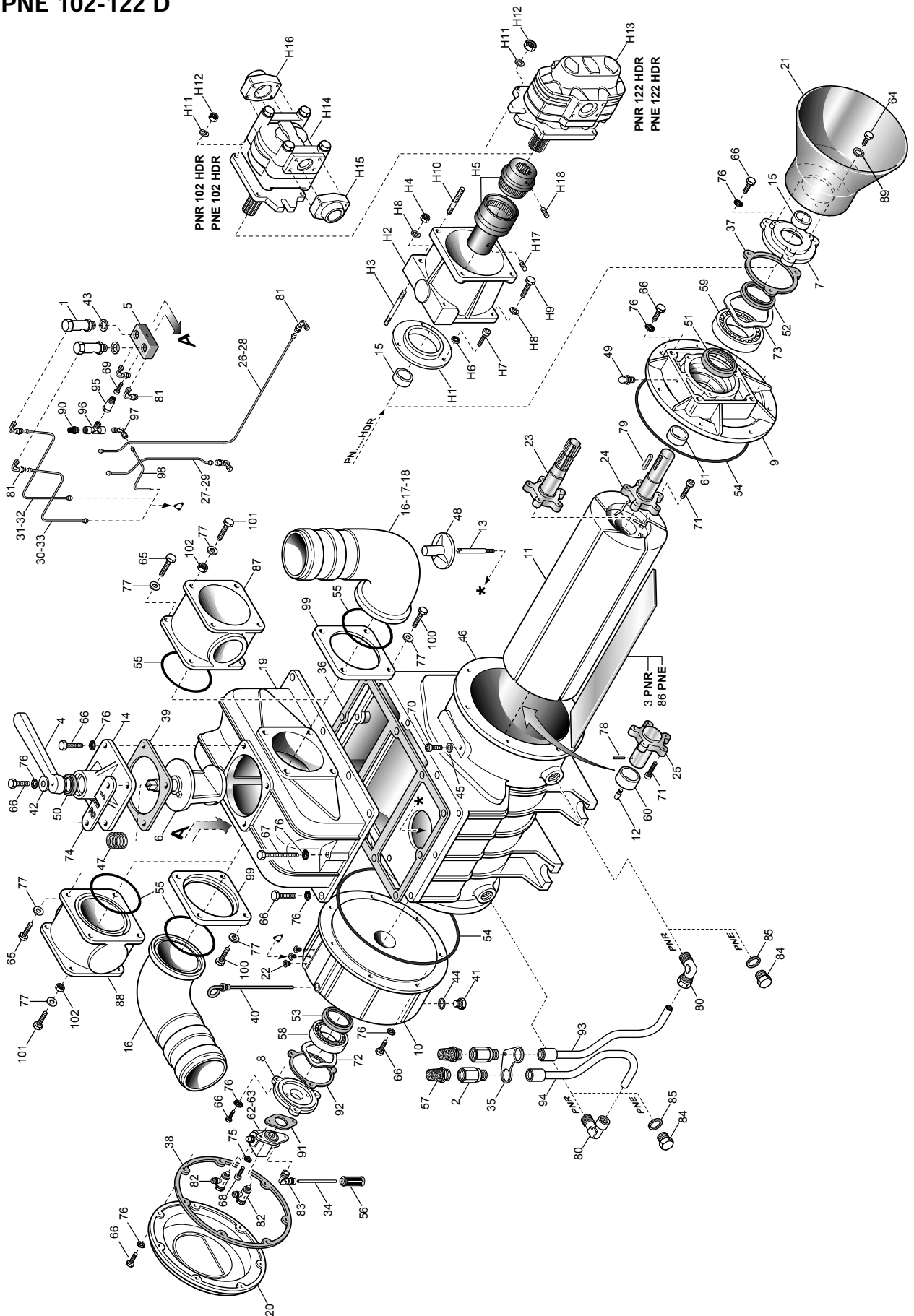


Parts list PNR-PNE 72-82 M

Pos. Code	Description	Quantity	Pos. Code	Description	Quantity		
1	1401200700	Oil dripper automatic lubrication	2	49	1693500300	Check valve PNR-PNE 72-82	1
2	1493300200	Air injection valve PNR 72	1	50	4022200030	Seal 41x27x10	1
	1493300200	Air injection valve PNR 82	2	51	4022200040	Seal 72x40x10	1
3	1601605700	Vane PNR 72	5	52	4022200111	Seal 72x48x15	2
	1601605800	Vane PNR 82	5	53	4022200307	OR 6287	2
4	1605500000	Handle R-PNR-PNE	1	54	4022200308	OR 4775	2
5	1508100000	Distributor PR-PNR-PNE	1	55	4022300001	Nylon filter Ø6	1
6	1608501700	Conveyor PNR-PNE 72-82	1	56	4022301004	Silencer-filter 3/4" PNR 72	1
7	1610100000	Turning conveyor flange	1		4022301004	Silencer-filter 3/4" PNR 82	2
8	1610508300	Flange PNR-PNE 72-82 M	1	57	4023100018	Bearing 6206	1
9	1610508500	Automatic lubrication pump flange R-PNR-PNE	1	58	4023100040	Bearing 6308	3
10	1612503200	Gearbox PNR-PNE 72-82 M	1	59	1624007500	Bushing 48x40x22	2
11	1612503300	Oil tank PNR-PNE 72-82	1	60	4024251000	Automatic lubricating pump (cw rotation)	1
12	1621503300	Rotor PNR-PNE 72	1	61	4024251500	Automatic lubricating pump (ccw rotation)	1
	1621503400	Rotor PNR-PNE 82	1	62	4026101404	Screw M8x12 galvanized	3
13	1622002600	Shaft M10	1	63	4026107110	Screw M8x25	37
14	1622007800	Check valve shaft PNR-PNE 72-82-102-122	1	64	4026107111	Screw M8x30	7
15	1623100000	Conveyor cap PN-PNR-PNE 72-82	1	65	4026107117	Screw M8x60	2
16	1627100200	Conveyor Ø76 with safety valve connection	1	66	4026103003	Screw M12x35 galvanized	4
17	1627100300	Conveyor Ø80 with safety valve connection	1	67	4026120304	Screw M6x16	2
18	1627100500	Turning conveyor Ø76	1	68	4026120300	Screw M6x14	1
19	1627504300	Manifold PNR-PNE 72-82	1	69	4026120400	Screw M8x12	1
20	1640101100	Oil tank cap PNR-PNE 72-82	1	70	1672001600	PNR rotor screw M10	10
21	1642600000	Pipeline protection	3	71	4026300020	Compensation ring Ø90	2
22	4029602806	Drive shaft protection	1	72	4026305616	Nut M30x2	1
23	1650014000	Front shaft PNR-PNE 72-82 M	1	73	4026350908	Washer M6	2
24	1650014300	Rear shaft PNR-PNE 72-82	1	74	4026350909	Washer M8	44
25	1651005400	Pinion PNR-PNE 72-82 M	1	75	4026350609	Grower washer M12	4
26	1651005600	Gear PNR-PNE 72-82 M	1	76	4026414617	Pin 3x40 (*)	1
27	1663036400	Front lubricating line PNR-PNE 72 D lh/M rh	1	77	4026500905	Tab 10x8x32	1
	1663037600	Front lubricating line PNR-PNE 82 D lh/M rh	1	78	4026701310	Fitting G1/2 PNR 72	1
28	1663036500	Rear lubrication line PNR-PNE 72 D lh/M rh	1		4026701310	Fitting G1/2 PNR 82	2
	1663037700	Rear lubricating line PNR-PNE 82 D lh/M rh	1	79	4026706000	Fitting 90° Ø4-1/8	6
29	1663036800	Front lubricating line PNR-PNE 72 D rh/M lh	1	80	4026706101	Fitting Ø4-1/8	2
	1663038000	Front lubricating line PNR-PNE 82 D rh/M lh	1	81	4026706003	Fitting 90° Ø6-1/8	1
30	1663036900	Rear lubricating line PNR-PNE 72 D rh/M lh	1	82	4026904001	Plug G1/2 PNR-PNE 72	1
	1663038100	Rear lubricating line PNR-PNE 82 D rh/M lh	1		4026904001	Plug G1/2 PNR-PNE 82	2
31	1663037000	External oil dripper line PNR-PNE 72 D lh/M rh	1	83	4026359003	Alu washer 21,5x26x1,5 PNR-PNE 72	1
	1663038300	External oil dripper line PNR-PNE 82 D lh/M rh	1		4026359003	Alu washer 21,5x26x1,5 PNR-PNE 82	2
32	1663037100	Internal oil dripper line PNR-PNE 72 D lh/M rh	1	84	1601605300	Vane PNE 72	5
	1663038200	Internal oil dripper line PNR-PNE 82 D lh/M rh	1		1601605400	Vane PNE 82	5
33	1663037200	External oil dripper line PNR-PNE 72 D rh/M lh	1	85	4026356002	Flat washer M8 galvanized	3
	1663038400	External oil dripper line PNR-PNE 82 D rh/M lh	1	86	4022301001	Oil block filter G 1/4	1
34	1663037300	Internal oil dripper line PNR-PNE 72 D rh/M lh	1	87	1680609700	Oil pump gasket	1
	1663038500	Internal oil dripper line PNR-PNE 82 D rh/M lh	1	88	1680609800	Oil pump flange gasket	1
35	1663041200	Suction line for aut. lubric. pump PNR-PNE 72-82	1	89	1563008100	Air injection pipe r. PNR 82	1
36	1681007100	Air injection pipes bracket PNR 72	1	90	1563008200	Air injection pipe l. PNR 82	1
	1681007000	Air injection pipes bracket PNR 82	1	91	1563008300	Air injection pipe PNR 72	1
37	1680608800	Manifold gasket PNR-PNE 72-82	1	92	4026705702	Oil drain extention	1
38	1680700200	Conveyor gasket PNR-PNE 72-82	1	93	4026702502	Oil drain T fitting	1
39	1680707400	Gearbox gasket PNR-PNE 72-82 M	1	94	4026706004	Fitting 90° G1/4 ø6	1
40	1680707500	Oil tank cap gasket PNR-PNE 72-82	1	95	1663042900	Oil drain line PNR 72 D rh	1
41	1683600000	Oil stick	1		1663043000	Oil drain line PNR 72 D lh	1
42	1684000000	Plug G3/8	4		1663043100	Oil drain line PNR 82 D rh	1
43	1685002800	Washer 30x8,5x4	1		1663043200	Oil drain line PNR 82 D lh	1
44	1685100000	Alu washer 14x20x1,5	2				
45	1685100200	Alu washer 17x22x1,5	4				
46	1685100800	Alu washer 8x14x1,5	3				
47	1687505800	Housing PNR-PNE 72	1				
	1687505700	Housing PNR-PNE 82	1				
48	1691000000	Conveyor spring	1				
				1892002600	Gaskets kit PNR-PNE 72-82 M	1	

(*): on models with cw (right hand) rotation

PNR-PNE 102-122 D



Parts list PNR-PNE 102-122 D

Pos. Code	Description	Quantity
1	1401200700 Oil dripper automatic lubrication	2
2	1493300200 Air injection valve PNR	2
3	1601605900 Vane PNR 102	5
	1601606000 Vane PNR 122	5
4	1605500000 Handle R-PNR-PNE	1
5	1508100000 Distributor PR-PNR-PNE	1
6	1608501800 Conveyor PNR-PNE 102-122	1
7	1610508200 Flange R-PNR-PNE 102-122-142 D	1
8	1610508500 Automatic lubrication pump flange R-PNR-PNE	1
9	1610508600 Flange PNR-PNE 102-122 D	1
10	1612503400 Oil tank PNR-PNE 102-122	1
11	1621503500 Rotor PNR-PNE 102	1
	1621503600 Rotor PNR-PNE 122	1
12	1622002600 Shaft M10	1
13	1622007800 Check valve shaft PNR-PNE 72-82-102-122	1
14	1623100500 Conveyor cap PN-PNR-PNE 102-122	1
15	1626001100 Bushing PNR-PNE 102-122 D	1
16	1627102400 Conveyor ø 100	1-2
17	1627102700 Conveyor ø 80	1
18	1627102800 Conveyor ø 76	1
19	1627504400 Manifold PNR-PNE 102-122	1
20	1640101200 Oil tank cap PNR-PNE 102-122	1
21	1642600100 Drive shaft protection	1
22	4029602806 Pipeline protection	3
23	1650014600 Front splined shaft PNR-PNE 102-122 D	1
24	1650014700 Front smooth shaft PNR-PNE 102-122 D	1
25	1650014800 Rear shaft PNR-PNE 102-122	1
26	1663038800 Front lubricating line PNR-PNE 102 D lh/M rh	1
	1663040000 Front lubricating line PNR-PNE 122 D lh/M rh	1
27	1663038900 Rear lubricating line PNR-PNE 102 D lh/M rh	1
	1663040100 Rear lubricating line PNR-PNE 122 D lh/M rh	1
28	1663039200 Front lubricating line PNR-PNE 102 D rh/M lh	1
	1663040400 Front lubricating line PNR-PNE 122 D rh/M lh	1
29	1663039300 Rear lubricating line PNR-PNE 102 D rh/M lh	1
	1663040500 Rear lubricating line PNR-PNE 122 D rh/M lh	1
30	1663039400 Internal oil dripper line PNR-PNE 102 D lh/M rh	1
	1663040600 Internal oil dripper line PNR-PNE 122 D lh/M rh	1
31	1663039500 External oil dripper line PNR-PNE 102 D lh/M rh	1
	1663040700 External oil dripper line PNR-PNE 122 D lh/M rh	1
32	1663039600 External oil dripper line PNR-PNE 102 D rh/M lh	1
	1663040800 External oil dripper line PNR-PNE 122 D rh/M lh	1
33	1663039700 Internal oil dripper line PNR-PNE 102 D rh/M lh	1
	1663040900 Internal oil dripper line PNR-PNE 122 D rh/M lh	1
34	1663041100 Suction line for aut. lubric. pump PNR-PNE 102-122	1
35	1681006900 Air injection pipes bracket PNR 122	1
	1681007000 Air injection pipes bracket PNR 102	1
36	1680608900 Manifold gasket PNR-PNE 102-122	1
37	1680707300 Flange gasket PNR-PNE 102-122-142 D	1
38	1680707700 Oil tank gasket PNR-PNE 102-122	1
39	1680707800 Conveyor gasket PNR-PNE 102-122	1
40	1683600300 Oil stick	1
41	1684000000 Plug G3/8	1
42	1685002800 Washer 30x8,5x4	1
43	1685100000 Alu washer 14x20x1,5	2
44	1685100200 Alu washer 17x22x1,5	1
45	1685100800 Alu washer 8x14x1,5	1
46	1687505900 Housing PNR-PNE 102	1
	1687506000 Housing PNR-PNE 122	1
47	1691000000 Conveyor spring	1
48	1693500400 Check valve PNR-PNE 102-122	1
49	4022100010 Greasing nipple M10x1	1
50	4022200030 Seal 41x27x10	1
51	4022200113 Seal 70x55x15	1
52	4022200044 Seal 65x45x8	1
53	4022200111 Seal 72x48x15	1
54	4022200309 OR 4875	2
55	4022200310 OR 6362	2(3)
56	4022300001 Nylon filter Ø6	1
57	4022301004 Silencer-filter 3/4"	2
58	4023100040 Bearing 6308	1
59	4023100046 Bearing 6309	1
60	1624007500 Bushing 48x40x22	1
61	4023130035 Bushing 55x45x22	1

Note: between brackets quantity referred to the conveyor with safety valve connection built.

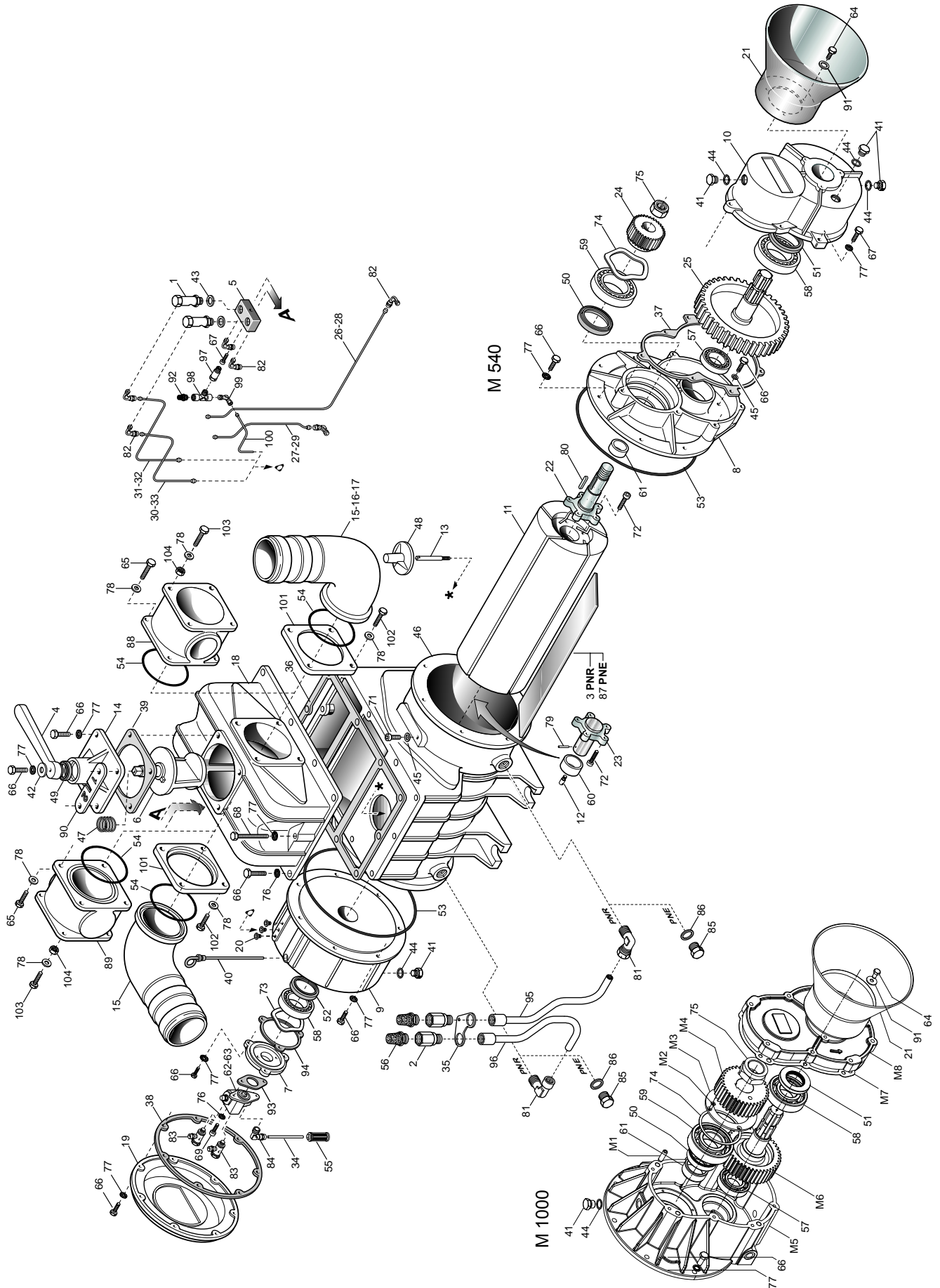
Pos. Code	Description	Quantity
62	4024251000 Automatic lubricating pump (cw rotation)	1
63	4024251500 Automatic lubricating pump (ccw rotation)	1
64	4026101404 Screw M8x12 galvanized	3
65	4026102807 Screw M8x25 galvanized	(4)
66	4026107110 Screw M8x25	40
67	4026107117 Screw M8x60	2
68	4026120304 Screw M6x16	2
69	4026120300 Screw M6x14	1
70	4026120400 Screw M8x12	1
71	1672001600 PNR rotor screw M10	10
72	4026300020 Compensation ring Ø90	1
73	4026300025 Compensation ring Ø100	1
74	1681006800 Plate vac-press PNR-PNE 102-122	1
75	4026350908 Washer M6	2
76	4026350909 Washer M8	42
77	4026350606 Grower washer M8	8(12)
78	4026414617 Pin 3x40 (*)	1
79	4026501006 Tab 12x8x56	1
80	4026701310 Fitting G1/2	2
81	4026706000 Fitting 90° Ø4-1/8	6
82	4026706101 Fitting Ø4-1/8	2
83	4026706003 Fitting 90° Ø6-1/8	1
84	4026904001 Plug G1/2	2
85	4026359003 Alu washer 21,5x26x1,5	2
86	1601605500 Vane PNE 102	5
	1601605600 Vane PNE 122	5
87	1627102500 Conveyor with safety valve connection	(1)
88	1627102600 Conveyor	(1)
89	4026356002 Flat washer M8 galvanized	3
90	4022301001 Oil block filter G 1/4	1
91	1680609700 Oil pump gasket	1
92	1680609800 Oil pump flange gasket	1
93	1563007900 Air injection pipe r.	1
94	1563008000 Air injection pipe l.	1
95	4026705702 Oil drain extention	1
96	4026702502 Oil drain T fitting	1
97	4026706004 Fitting 90° G1/4 ø6	1
98	1663043300 Oil drain line PNR 102 D rh	1
	1663043400 Oil drain line PNR 102 D lh	1
	1663043500 Oil drain line PNR 122 D rh	1
	1663043600 Oil drain line PNR 122 D lh	1
99	1610101100 Conveyor flange	2
100	4026102801 Screw TE 8.8 M8x35	8
101	4026102810 Screw TE 8.8 M8x40	(4)
102	4026308005 Nut M8	(4)

(*): on models with ccw (left hand) rotation

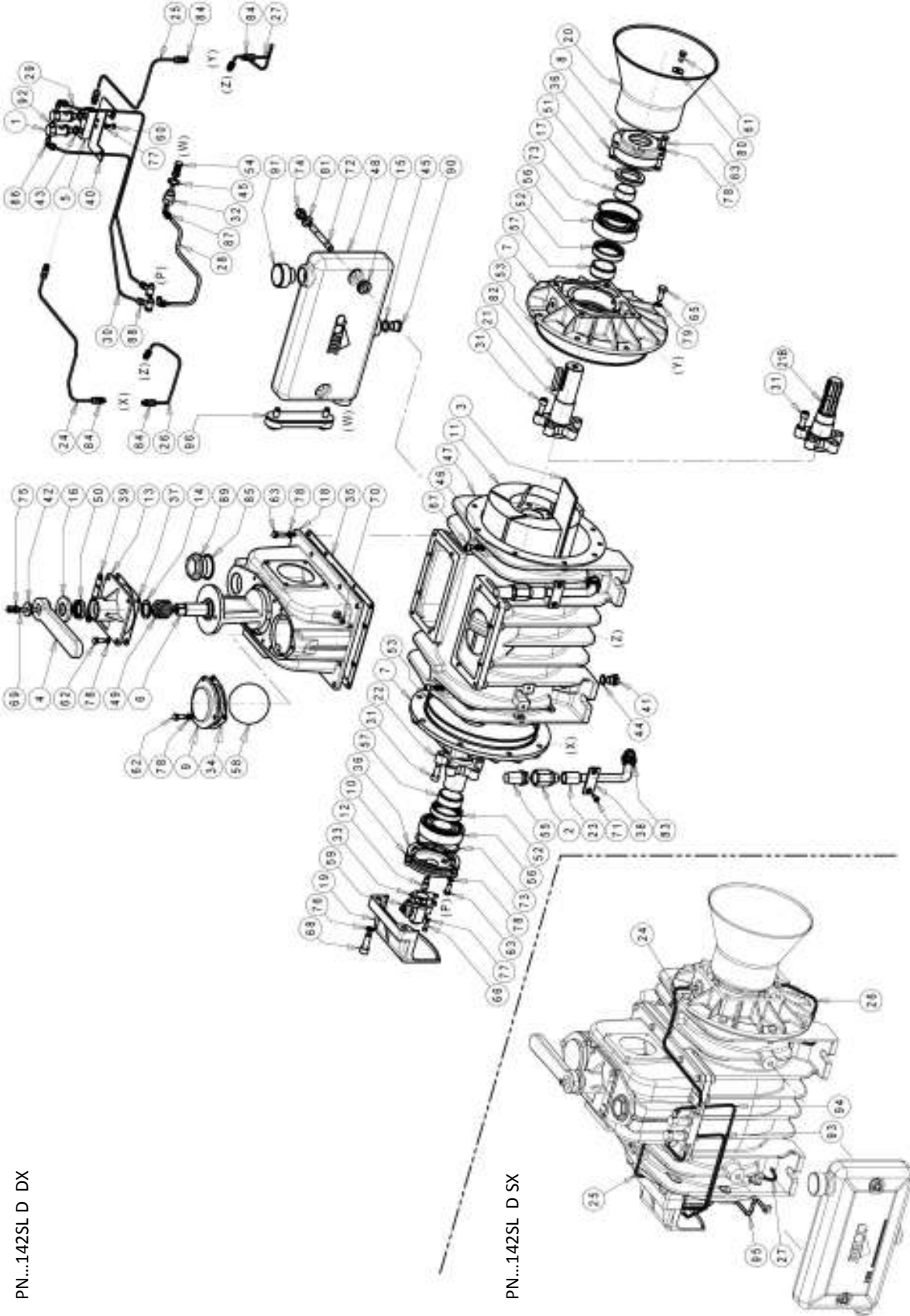
PNR-PNE 102-122 HDR

Pos. Code	Description	Quantity
H1	1610021600 Centering flange PNR-PNE 102-122-142 HDR	1
H2	1612501000 Bracket PNR-PNE ... HDR	1
H3	4026171211 Stud screw M12x80	2
H4	4026305508 Nut M12	2
H5	1470102300 Coupling PNR 102-122-142 HDR	1
H6	4026350909 Washer M8	3
H7	4026120403 Screw M8x20	3
H8	4026350609 Grower washer M12	4
H9	4026107313 Screw M12x40	2
H10	4026171304 Stud screw M14x40	4
H11	4026350610 Grower washer M14	4
H12	4026300808 Nut M14	4
H13	4024107001 Motor PNR-PNE 122 HDR	1
H14	4024107009 Motor PNR-PNE 102 HDR	1
H15	4026711003 Flange G1 1/4	1
H16	4026711004 Flange G1 1/2	1
H17	4026136003 Dowel pin M8x8	1
H18	4026136006 Dowel pin M8x14	1
	1892002700 Gaskets kit PNR-PNE 102-122 D	1

PNR-PNE 102-122 M



9.5. Mod. PNR142SL D



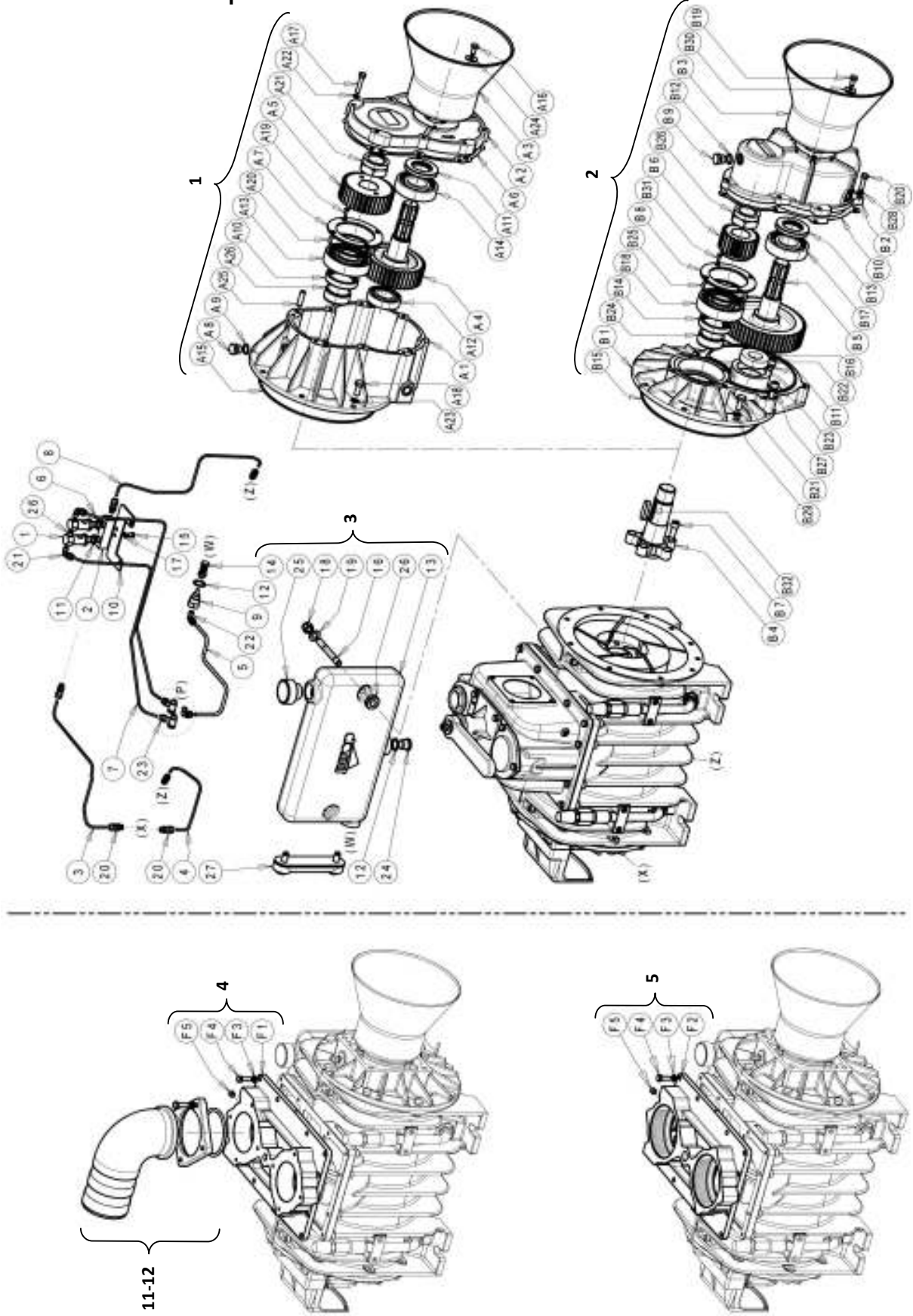
PN...142SL D DX

PN...142SL D SX

Parts list PNR142SL D

Pos	Code	Description	Quantity	Pos	Code	Description	Quantity
1	1401200700	Oil dripper automatic lubrication	2	49	1691000000	Conveyor spring	1
2	1493300200	Air injection valve 1/2"	2	50	4022200030	Y-Seal 41X27X10	1
3	1601605200	Vane PNR142 SL	5	51	4022200044	Y-Seal 65X45X8	1
4	1605500100	Handle	1	52	4022200113	Y-Seal 70X55X15	2
5	1608100000	Distributor	1	53	4022200311	OR 4975	2
6	1608502500	Conveyor	1	54	4022300001	Nylon oil filter	1
7	1610508100	Flange	2	55	4022301004	Silencer filter 3/4	2
8	1610508200	Flange	1	56	4023100046	Bearing 6309	2
9	1610509800	Flange	1	57	4023130035	Bushing 55X45X2	2
10	1610512900	Oil pump flange	1	58	4023250502	Rubber ball D90	1
11	1621503200	Rotor	1	59	4024251000	Automatic lub. Pump (cw rotation)	1
12	1622002600	Shaft M10	1	60	4024251500	Automatic lub. Pump (ccw rotation)	1
13	1623100500	Conveyor flange	1	60	4026101301	Screw M6X10	2
14	1624027500	Spring spacer	1	61	4026102804	Screw M8X16	3
15	1685600200	Oil tank spacer	2	62	4026102806	Screw M8X20	7
16	1624202300	4 ways spacer	1	63	4026102807	Screw M8X25	16
17	1626001100	Bushing	1	64	4026102808	Screw M8X30	2
18	1627504600	Manifold	1	65	4026102907	Screw M10X25	17
19	1642100200	Rear protection	1	66	4026121305	Screw M6X16	2
20	4029602806	Drive shaft protection	1	67	4026121401	Screw M8X12	2
21	1650013100	Front smooth shaft	1	68	4026121710	Screw M12X35	2
	1650012900	Front splined shaft		69	4026135414	Screw M8X45	1
22	1650022900	Rear shaft	1	70	4026135504	Screw M10X10	1
23	1663014000	Air injection pipe	2	71	4026155605	Screw M6X16	4
24	1663065800	Lubrication line	1	72	4026171211	Screw M12X80	2
25	1663065900	Lubrication line	1	73	4026300025	Compensation ring	2
26	1663066000	Lubrication line	1	74	4026305508	Nut M12 Selflocking.	2
27	1663066100	Lubrication line	1	75	4026308005	Nut M8	2
28	1663066300	Lubrication line	1	76	4026350508	Grower washer M12	2
29	1663066400	Lubrication line	1	77	4026351504	Washer M6	4
30	1663066500	Lubrication line	1	78	4026351505	Washer M8	25
31	1672001600	Rotor Screw M10	10	79	4026351506	Washer M10	16
32	1673001000	Oil filter Plug	1	80	4026356002	Washer M8	3
33	1680609700	Oil pump gasket	1	81	4026357007	Washer M12	2
34	1680610500	Gasket	1	82	4026501006	Tab 12X8X56	1
35	1680614300	Gasket	1	83	4026701301	Brass fitting	2
36	1680707300	Flange gasket	2	84	4026702000	Fitting	8
37	1680707800	Flange gasket	1	85	4026702708	Copper washer 1"1/2	1
38	1681006600	Flange	2	86	4026706000	Fitting	2
39	1681006800	Flange	1	87	4026706003	Fitting	2
40	1681100200	Oil tripped flange	1	88	4026706101	Fitting	2
41	1684000000	Plug 3/8	2	89	4026904005	Plug 1"1/2	1
42	1685002800	Washer 30X8.5X4	1	90	4026904503	Plug M20X1.5	1
43	1685100000	Washer 14X20X1.5 AL	2	91	4026910103	Plug SFIATO 1"	1
44	1685100200	Washer 17X22X1.5 AL	2	92	4026910601	Plug CONICO 1/8	2
45	1685100300	Washer DI 20	2	93	1663065700	Lubrication line	1
46	1685100800	Washer 8X14X1.5 CU	2	94	1663065600	Lubrication line	1
47	1687509500	Housing PNR142 SL	1	95	1663066200	Lubrication line	1
48	1587009400	Oil tank	1	96	4022106001	Side oil level sight	1

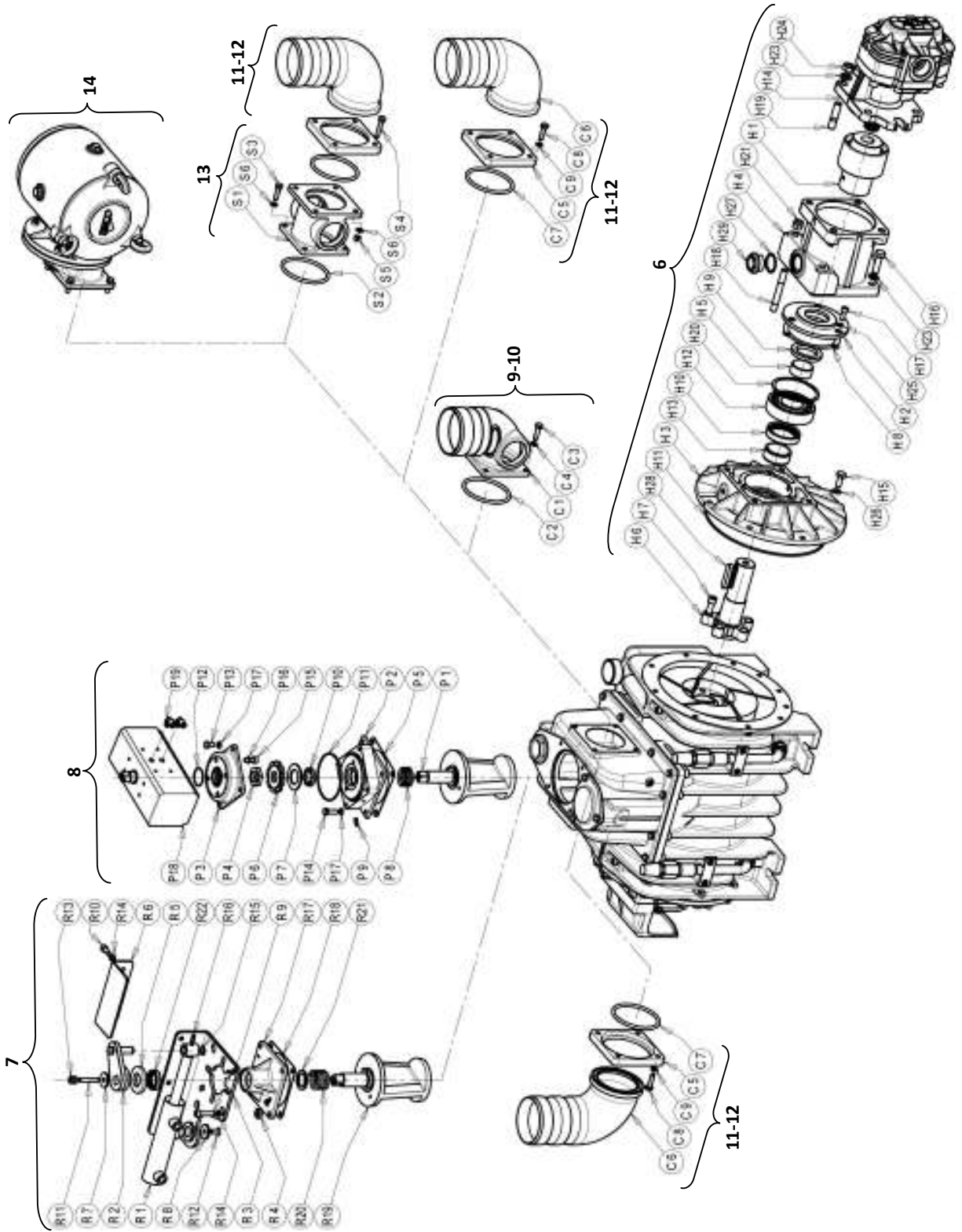
PNR142SL M540-1000rpm



Parts list PNR142SL M540-1000rpm

Pos	Code	Description	Quantity	Pos	Code	Description	Quantity
1		GEARBOX M1000 rpm		2		GEARBOX M540 rpm	
A1	1610514100	Flange M	1	B1	1610507900	Flange M	1
A2	164059V5B0	Gearbox M	1	B2	1612503000	Gearbox M	1
A3	1642600100	Drive shaft protection	1	B3	4029602806	Drive shaft protection	1
A4	165109KGB0	Gear Z41	1	B4	1650012800	Front shaft M	1
A5	165109KFBO	Pinion Z37	1	B5	1651002500	Gear Z56	1
A6	16807BCNB0	Gearbox 1000 gasket	1	B6	1651005300	Pinion Z25	1
A7	1681006500	Compensation ring flange	1	B7	1672001600	Rotor Screw M10	5
A8	1684000000	Plug 3/8	3	B8	1681006500	Compensation ring flange	1
A9	1685100200	Washer 17X22X1.5 AL	3	B9	1684000000	Plug 3/8	3
A10	4022200113	Y-Seal 70X55X15	1	B10	1680707200	Gearbox 540 gasket	1
A11	4022200040	Y-Seal 72X40X10	1	B11	1685100100	Washer 10X16X1.5 CU	1
A12	4023100120	Bearing 6207	1	B12	1685100200	Washer 17X22X1.5 AL	3
A13	4023100150	Bearing 6309	1	B13	4022200040	Y-Seal 72X40X10	1
A14	4023100140	Bearing 6308	1	B14	4022200113	Y-Seal 70X55X15	1
A15	4022200311	OR 4975	1	B15	4022200311	OR 4975	1
A16	4026102804	Screw M8X16	3	B16	4023100018	Bearing 6206	1
A17	4026102810	Screw M8X40	8	B17	4023100040	Bearing 6308	1
A18	4026102907	Screw M10X25	5	B18	4023100046	Bearing 6309	1
A19	4026155505	Screw M5X16	4	B19	4026102804	Screw M8X16	3
A20	4026300025	Compensation ring	1	B20	4026102808	Screw M8X30	7
A21	4026306115	Nut M36X3 Selflocking	1	B21	4026102907	Screw M10X25	5
A22	4026351505	Washer DENTATA M8	8	B22	4026120506	Screw M10X30	2
A23	4026351506	Washer DENTATA M10	5	B23	4026121813	Screw M10X50	2
A24	4026356002	Washer 8X24	3	B24	4023130035	Bushing 55X45X22	1
A25	4026401806	Pin 10X36	4	B25	4026300025	Compensation ring	1
3		LUBRICATION FOR M540-1000rpm		B26	4026306115	Nut M36X3 Selflocking	1
1	1401200700	Oil dripper automatic lubrication	1	B27	4026350506	Grower washer M10	2
2	1608100000	Distributor	1	B28	4026351505	Washer M8	7
3	1663065800	Lubrication line	1	B29	4026351506	Washer M10	5
4	1663066000	Lubrication line	1	B30	4026356002	Washer 8X24	3
5	1663066300	Lubrication line	1	B31	4026155505	Screw M5X16	4
6	1663066400	Lubrication line	1	B32	4026501004	Tab 12X8X45	1
7	1663066500	Lubrication line	1	4		FLANGED MANIFOLD	
8	1663066700	Lubrication line	1	F1	1627504800	Flanged manifold	1
9	1673001000	Oil filter plug	1	F3	4026351505	Washer M8	12
10	1681100200	Oil trippe flange	1	F4	4026102807	Screw M8X25	12
11	1685100000	Washer 14X20X1.5 AL	2	F5	4026135504	Screw M10X10	1
12	1685100300	Washer DI20	2	5		THREADED MANIFOLD	
13	1587009400	Oil tank	1	F2	1627504900	Threaded manifold	1
14	4022300001	Nylon oil filter	1	F3	4026351505	Washer M8	12
15	4026101301	Screw M6X10	2	F4	4026102807	Screw M8X25	12
16	4026171211	Screw M12X80	2	F5	4026135504	Screw M10X10	1
17	4026351504	Washer M6	2				
18	4026305508	Nut M12 Selflocking	2				
19	4026357007	Washer M12	2				
20	4026702000	Fitting	6				
21	4026706000	Fitting	2	1892006700	Gasket kit PNR-PNE 142SL M	1	
22	4026706003	Fitting	2	1892006800	Gasket kit PNR-PNE 142SL D	1	
23	4026706101	Fitting	2				
24	4026904503	Plug M20X1.5	1				
25	4026910103	Ventil Plug 1"	1				
26	1685600200	Oil tank spacer	2				
27	4022106001	Side oil level sight	1				

PNR142SL – Accessories

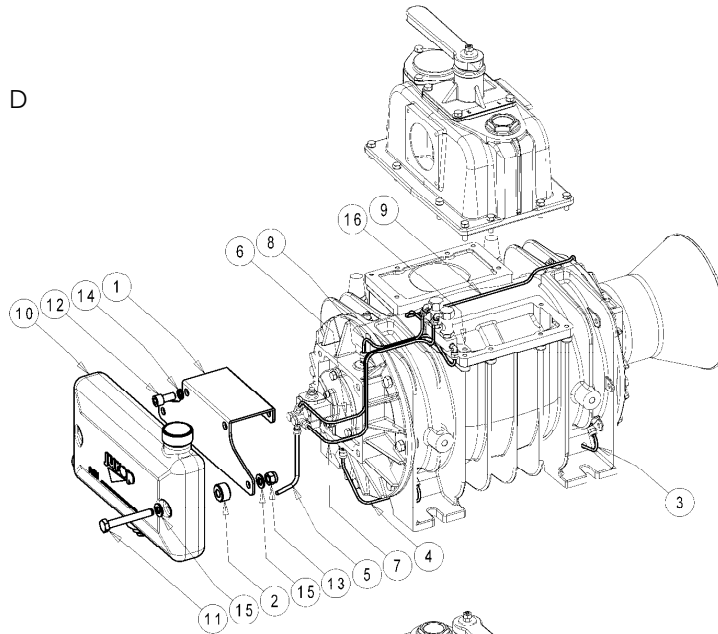


Parts list PNR142SL - Accessories

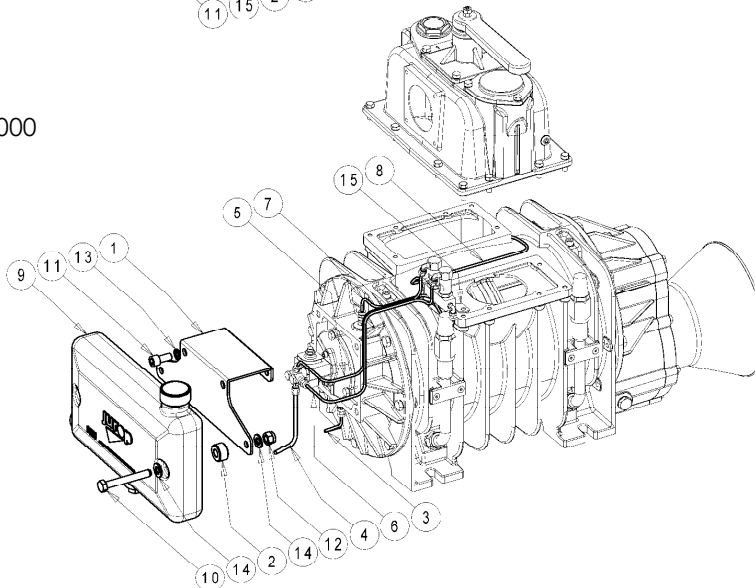
Pos	Code	Description	Quantity	Pos	Code	Description	Quantity
6		HYDRAULIC DRIVE		8	143028GZB0	PNEUMATIC OPERATED 4-WAY KIT	
H1	1470102300	Coupling PNR142 HDR	1	P1	160858KBB0	Conveyor (actuator)	1
H2	1610021600	HDR Flange	1	P2	161258H0B0	Actuator support	1
H3	1610508100	Flange	1	P3	1640580QB0	Actuator cover	1
H4	1612501000	Bracket HDR	1	P4	167007ZAB0	Conveyor NUT	1
H5	1626001100	Bushing	1	P5	1680707800	Flange gasket	1
H6	1650013100	Front smooth shaft	1	P6	168409PQB0	Ring nut	1
H7	1672001600	Rotor Screw M10	5	P7	168529TFB0	Spacer	1
H8	1680707300	Flange gasket	1	P8	1691000200	Conveyor spring	1
H9	4022200044	Y-Seal 65X45X8	1	P9	4022100100	Greasing nipple M6X1	1
H10	4022200113	Y-Seal 70X55X15	1	P10	4022200005	Y-Seal 37X27X7	1
H11	4022200311	OR 4975	1	P11	4022200330	OR 3375	1
H12	4023100150	Bearing 6309	1	P12	4022200331	OR 2137	1
H13	4023130035	Bushing 55X45X22	1	P13	4026102804	Screw M8X16	4
H14	4024107004	HDR Motor	1	P14	4026102807	Screw M8X25	4
H15	4026102907	Screw M10X25	8	P15	4026121405	Screw M8X20	4
H16	4026103004	Screw M12X40	2	P16	4026350505	Grower washer M8	4
H17	4026121405	Screw M8X20	3	P17	4026351505	Washer M8	8
H18	4026171211	Stud screw M12X80	2	P18	4027100405	Pneumatic actuator	1
H19	4026141304	Stud screw M14X40	4	P19	4027421206	Fitting R15 6XG1/8	2
H20	4026300025	Compensation ring	1				
H21	4026305508	Nut M12 Selflocking	4	9	1852103400	FIXED SUCTION CONVEYOR Ø80 KIT	
H22	4026350709	Grower washer M12	2	C1	1627101300	Conveyor Ø80	1
H23	4026350710	Grower washer M14	4	C2	4022200310	OR 6362	1
H24	4026308008	Nut M14	4	C3	4026102807	Screw M8X25	4
H25	4026350505	Grower washer M8	3	C4	4026350706	Grower washer M8	4
H26	4026351506	Washer M10	8				
H27	4026359001	Washer 40X33.5X1.5 AL	1	10	1852103500	FIXED SUCTION CONVEYOR Ø100 KIT	
H28	4026501006	Tab 12X8X56	1	C1	1627101200	Conveyor Ø100	1
H29	4026904003	Plug 1"	1	C2	4022200310	OR 6362	1
				C3	4026102807	Screw M8X25	4
7	143029KRB0	HYDRAULIC OPERATED 4-WAY KIT		C4	4026350706	Grower washer M8	4
R1	143027T6B0	Hydraulic actuator	1				
R2	15020A10B0	Actuator lever	1	11	1852103900	TURNING CONVAYOR Ø80 KIT	
R3	151307TJB0	Actuator support	1	C5	1610101100	Conveyor flange	1
R4	1624043400	Spacer	1	C6	1627102700	Conveyor Ø80	1
R5	1624202300	Spacer	1	C7	4022200310	OR 6362	1
R6	164206XYB0	Protection	1	C8	4026102808	Screw M8X30	4
R7	1685002800	Washer 30X8.5X4	1	C9	4026350706	Grower washer M8	4
R8	168509U0B0	Washer (chamfered)	1				
R9	4026121408	Screw M8X35	4	12	1852104000	TURNING CONVAYOR Ø100 KIT	
R10	4026121405	Screw M8X20	2	C5	1610101100	Conveyor flange	1
R11	4026135414	Screw M8X45	1	C6	1627102400	Conveyor Ø100	1
R12	4026155705	Screw M8X16	1	C7	4022200310	OR 6362	1
R13	4026308005	Nut M8	4	C8	4026102808	Screw M8X30	4
R14	4026350505	Washer grower M8	6	C9	4026350706	Grower washer M8	4
R15	4026510012	Seeger E14 7435	1				
R16	4022100100	Greasing nipple M6X1	1	13	1852104100	KIT FOR SAFETY VALVE	
R17	1623100500	Conveyor flange	1	S1	1627102500	Conveyor with safety valve connection	1
R18	1680707800	Conveyor gasket	1	S2	4022200310	OR 6362	1
R19	1608502500	Conveyor (actuator)	1	S3	4026102807	Screw M8X25	4
R20	1691000000	Conveyor spring	1	S4	4026102810	Screw M8X40	4
R21	1624027500	Spring spacer	1	S5	4026308005	Nut M8	4
				S6	4026350706	Washer grower M8	8
				14	185212L4B0	SUCTION FILTER KIT	

PNR142 SP (rear tank)

PNR142 SP D
SX



PNR142 SP
M540 - M1000
SX



Pos	Code	Description	Qty	Pos	Code	Description	Qty
LUBRICATION DIRECT DRIVE				LUBRICATION M540-M1000 SX			
1	1612034000	OIL TANK SUPPORT	1	1	1612034000	OIL TANK SUPPORT	1
2	1624042800	SPACER	2	2	1624042800	SPACER	2
3	1663066000	OIL PIPE	1	3	1663066000	OIL PIPE	1
4	1663066100	OIL PIPE	1	4	1663067100	OIL PIPE	1
5	1663067000	OIL PIPE	1	5	1663067200	OIL PIPE	1
6	1663067100	OIL PIPE	1	6	1663067300	OIL PIPE	1
7	1663067200	OIL PIPE	1	7	1663067400	OIL PIPE	1
8	1663067300	OIL PIPE	1	8	1663067500	OIL PIPE	1
9	1663067400	OIL PIPE	1	9	1687600000	OIL TANK	1
10	1687600000	OIL TANK	1	10	4026103013	SCREW M12X90	2
11	4026103013	SCREW M12X90	2	11	4026121708	SCREW M12X25	2
12	4026121708	SCREW M12X25	2	12	4026305508	NUT M12	2
13	4026305508	NUT M12	2	13	4026350508	GROWER M12	2
14	4026350508	GROWER M12	2	14	4026357007	WASHER PIANA M12	2
15	4026357007	WASHER M12	2				