

# HXL2F

## Vacuum / Pressure Pump

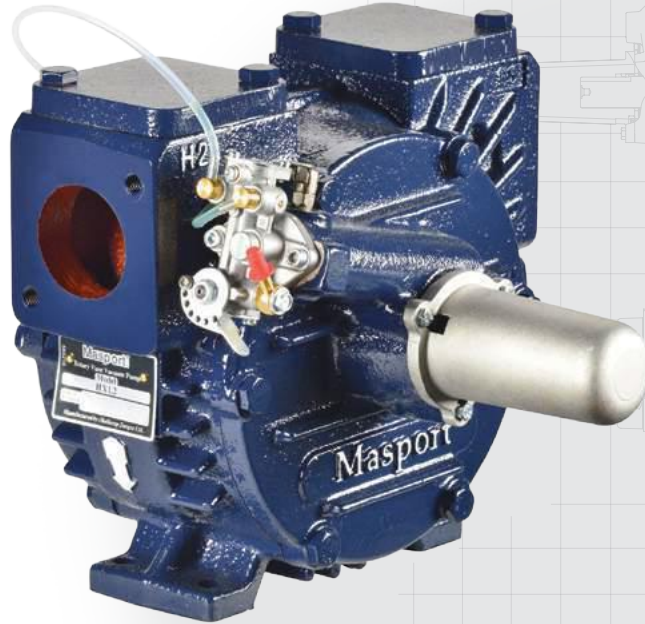
Masport have been manufacturing vacuum/pressure pumps for over 100 years, so you can be sure of engineering excellence.

The Masport range of HXL pumps are specifically designed and engineered to meet the needs of hard working pumpers around the world.

To produce our precision pumps, we only use the finest quality components and materials to ensure the durability of your vacuum pump.

Every pump is factory tested before shipping and is backed up by a one year warranty against all manufacturing defects.

With Masport on board you have an efficient and reliable pump backed by the best service and support that has made Masport the #1 choice for pumpers worldwide.



### Masport quality and performance

- ▶ Achieve minimum 27" Hg (Intermittent)
- ▶ Precise machining and assembly
- ▶ Heavy duty bearings
- ▶ Viton oil seals for longer service life
- ▶ Kevlar vanes are heat stabilized and machined with exacting tolerances for superior ruggedness and durability
- ▶ Superior pump life
- ▶ Mechanical oil pump with automatic oiling that delivers the right amount of oil at all working levels – no adjustment required
- ▶ Durable translucent high temperature oil lines – allows visible flow of oil to the pump
- ▶ End Thrust Protection prevents rotor to-endcover contact created by direct PTO drive or misaligned belt driven systems
- ▶ 1½" NPT bolt-on valve flanges for ease of installation
- ▶ ¼" NPT vane flush port
- ▶ Double end shaft accommodates clockwise or counter-clockwise drive systems
- ▶ Exclusive porting design providing multiple inlet and outlet porting configurations allowing for greater plumbing ease and versatility
- ▶ Easy to service
- ▶ One year performance warranty



# 75 CFM

Free Air Displacement



# HXL2F

# Vacuum / Pressure Pump

### Performance Data – Vacuum

PUMP R.P.M	DISPLACEMENT C.F.M	S.C.F.M and A.C.F.M @ VACUUM											MAXIMUM VACUUM – “Hg	
			5	10	15	18	20	22	24	25	26	27	CONTINUOUS	INTERMITTENT
1250	53	SCFM	44	35	26	20	16	13	10	8	6	4.4	20	27
		ACFM	52	52	51	49	49	48	48	47	47	44		
1425	61	SCFM	50	39	29	22	18	14	11	9	7	4.9	20	27
		ACFM	60	59	58	55	55	54	54	52	50	49		
1750	75	SCFM	61	48	36	27	22	17	13	11	9	6	20	27
		ACFM	74	72	71	67	67	66	66	64	61	60		

### Performance Data – Pressure

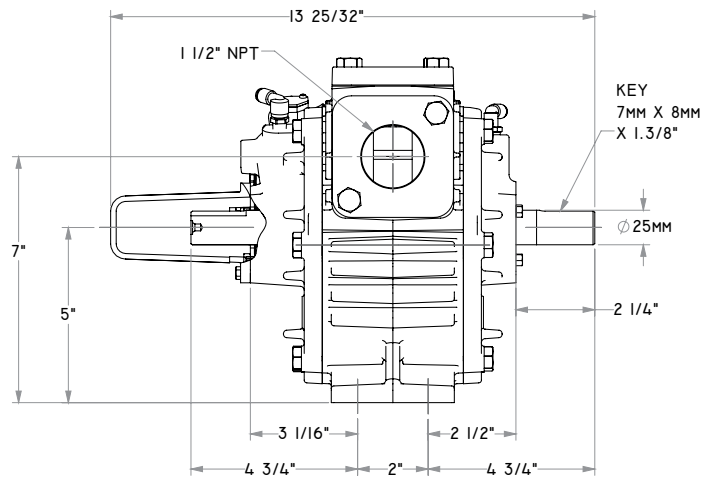
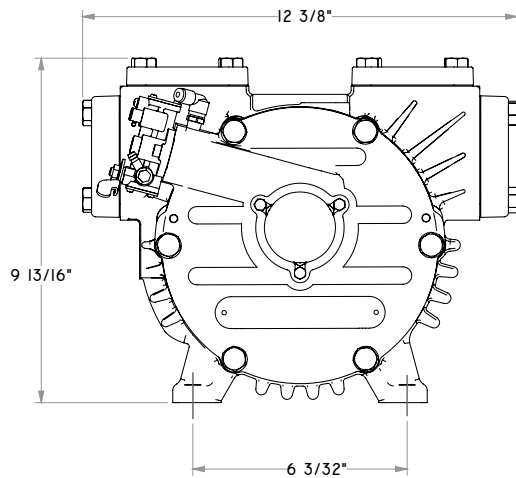
PUMP R.P.M	DISPLACEMENT C.F.M	S.C.F.M @ P.S.I.G												MAXIMUM PRESSURE – P.S.I.G	
			5	6	7	8	9	10	11	12	13	14	15	CONTINUOUS	INTERMITTENT
1250	53	42	40	39	39	38	38	36	35	35	32	30	15	15	
1425	61	55	54	54	54	53	53	52	52	51	49	47	15	15	
1750	75	67	67	66	66	65	65	64	63	62	61	58	15	15	

### Horsepower Required @ “Hg

PUMP R.P.M	VACUUM “Hg				
	5	10	15	20	27
1250	1.8	2.1	2.2	2.4	2.7
1425	2.1	2.4	2.5	2.8	3.1
1750	2.6	3.0	3.2	3.5	3.8

### Horsepower Required @ P.S.I.G

PUMP R.P.M	P.S.I.G		
	5	10	15
1250	2.9	3.1	3.9
1425	3.2	3.4	4.3
1750	4.0	4.3	5.4



Superior reliability and performance features built into every Masport pump



Oil Reservoir and Flushing Kits available with either plastic or steel reservoirs



Automatic adjustment free mechanical oil pump



Extend pump life by installing a Flushing Kit



Heat stabilized Kevlar vanes machined to exacting tolerances



Proud Distributor of Genuine Masport Products

Toll Free: 1 800 699 7557  
 Phone: 1 562 944 0404  
 Email: sales@vacpump.com  
[www.vacpump.com](http://www.vacpump.com)

