



Rubinetterie Italiane Velatta SpA

————— since 1950 —————

» **YOU need the BEST**

Perla

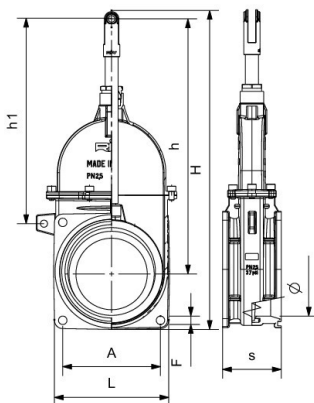
Series



RIV 10

Two-flange piston gate valve
with O-ring gaskets

» Tech drawings and tables



DN	Codice	Ø	H	h	S	L	F	A	h1	PN	KG	P/box
4"	050010000016	91	385	290	97	180	13	150	235	3bar - 45psi	5,974	1
5"	050010000018	120	450	350	90	180	13	150	295	3bar - 45psi	7,664	1
6"	050010000019	143	490	390	90	180	13	150	320	2,5bar - 37psi	7,736	1
8"	050010000020	191	610	485	111	230	13	180	385	1,5bar - 21psi	17,510	1

» Advantages

Better tightness compared to other gate valves of the same type.

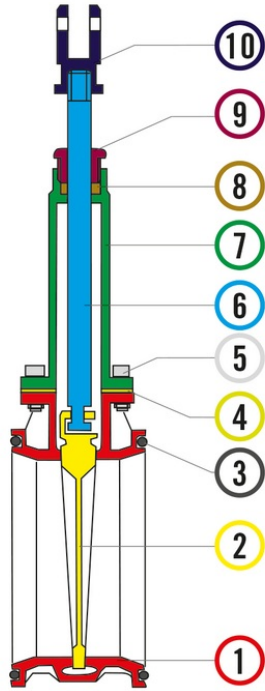
Anticorrosion stainless steel screws.

In accordance with 97/23/CE (PED) Directive.

» Technical data

RIV 10

Nr.	Cod.
2	Riv 9815
3	Riv 9858
4	Riv 9834
5	Riv 9851
6	Riv 9829
7	Riv 9822
8	Riv 9840
9	Riv 9844
10	Riv 9854



Materials			
1	Body	Brass	CB754S
2	Wedge	Brass	CB754S
3	O-Ring	NBR	
4	Gasket	Fibre	
5	Screw	Stainless Steel	AISI 304
6	Stem	Brass	CW614N
7	Cap	Brass	CB754S
8	Tow packing	Fibre	
9	Stuffing-Box	Brass	CW614N
10	Fork	Brass	CW617N

Connections

F: ISO 228/1, ANSI B1.20.1 (NPT)
Square flange

Limit

-20°C (without liquid) +90°C

Notes

The max. working pressure (PN) means at a room temperature of about 23°C.



Rubinetterie Italiane Velatta SpA
since 1950

» YOU need the BEST

Perla

» More Products



RIV 13

Two-flange piston gate valve with double-acting pneumatic jack in brass PPS system with O-ring gaskets



RIV 14

Two-flange piston gate valve with double-acting hydraulic jack with O-ring gaskets



RIV 17

Two-flange piston gate valve with single-acting hydraulic jack with O-ring gaskets



RIV 19

Two-flange piston gate valve with single-acting hydraulic ram spring jack with O-ring gaskets

» RIV Rubinetterie Italiane Velatta S.p.A
Via delle Acacie 8 Zona Industriale D4
P. O.Box 64
28075 GRIGNASCO (NO) ITALY
Tel +39 0163 4151
Fax +39 0163 411914

» Capitale sociale € 516.000 i.v.
Reg. Imprese di Novara N° 00469610026
R.E.A. di Novara N° 170397
Numero Meccanografico NO009263
Codice Fiscale 00469610026
Partita IVA IT 01399720034

» E - mail riv-vg@riv-vg.com
vendite.italia@riv-vg.com
export.sales@riv-vg.com
Web www.riv-vg.com

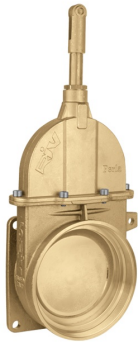




Rubinetterie Italiane Velatta SpA
since 1950

» YOU need the BEST

Perla



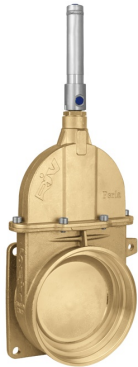
RIV 40

Piston gate valve
flange/thread
with O-ring gasket



RIV 43

Piston gate valve
flange/thread
with double-acting
pneumatic jack in
brass
PPS system
with O-ring gasket



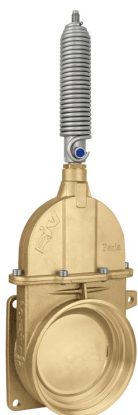
RIV 44

Piston gate valve
flange/thread
with double-acting
hydraulic jack
with O-ring gasket



RIV 47

Piston gate valve
flange/thread
with single-acting
hydraulic jack
with O-ring gasket



RIV 49

Piston gate valve
flange/thread
with single-acting
hydraulic ram spring
jack
with O-ring gasket



RIV 60

Threaded piston gate
valve

» RIV Rubinetterie Italiane Velatta S.p.A
Via delle Acacie 8 Zona Industriale D4
P. O.Box 64
28075 GRIGNASCO (NO) ITALY
Tel +39 0163 4151
Fax +39 0163 411914

» Capitale sociale € 516.000 i.v.
Reg. Imprese di Novara N° 00469610026
R.E.A. di Novara N° 170397
Numero Meccanografico NO009263
Codice Fiscale 00469610026
Partita IVA IT 01399720034

» E - mail riv-vg@riv-vg.com
vendite.italia@riv-vg.com
export.sales@riv-vg.com
Web www.riv-vg.com





Rubinetterie Italiane Velatta SpA
since 1950

» YOU need the BEST

Perla



RIV 61

NPT threaded piston gate valve



RIV 63

Threaded piston gate valve with double-acting pneumatic jack in brass PPS system



RIV 64

Threaded piston gate valve with double-acting hydraulic jack



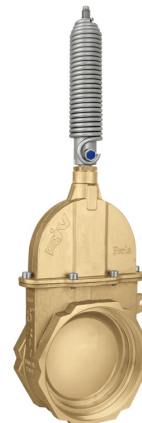
RIV 67

Threaded piston gate valve with single-acting hydraulic jack



RIV 68

NPT threaded piston gate valve with double-acting pneumatic jack in brass PPS system



RIV 69

Threaded piston gate valve with single-acting hydraulic ram spring jack

» RIV Rubinetterie Italiane Velatta S.p.A
Via delle Acacie 8 Zona Industriale D4
P. O.Box 64
28075 GRIGNASCO (NO) ITALY
Tel +39 0163 4151
Fax +39 0163 411914

» Capitale sociale € 516.000 i.v.
Reg. Imprese di Novara N° 00469610026
R.E.A. di Novara N° 170397
Numero Meccanografico NO009263
Codice Fiscale 00469610026
Partita IVA IT 01399720034

» E - mail riv-vg@riv-vg.com
vendite.italia@riv-vg.com
export.sales@riv-vg.com
Web www.riv-vg.com

