



Rubinetterie Italiane Velatta SpA

— since 1950 —

» YOU need the BEST

OPALE

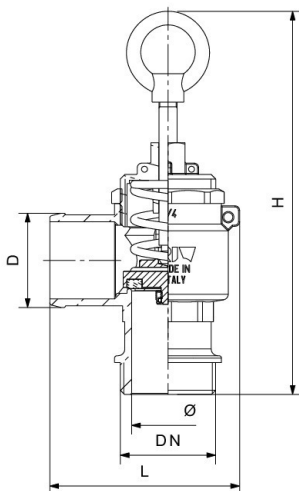
Series



RIV 251

Spring operated pressure relief valve with hose-connection
NPT thread

» Tech drawings and tables



DN	Codice	Ø	H	L	D	PN	KG	P/box
1"1/4	050251000008	32	170	89	40	1,5bar - 21psi	0,668	1
1"1/2	050251000009	39	180	100	45	1,5bar - 21psi	0,955	1
2"	050251000011	50	160	110	51	1,5bar - 21psi	1,241	1

» Advantages

Environmentally compatible, thanks to its hose-connection, where you can apply a pipe for discharging any possible polluting leakages into a proper tank. The valve can be easily adjusted to the desired pressure (from 0,5 to 1,5 bar - from 7 to 21 Psi) and it can be sealed tamper-proof through the drilled tongues.

Certified in accordance with 97/23/CE (PED) Directive, CE 1115 marking.

» Approvals



» RIV Rubinerterie Italiane Velatta S.p.A
Via delle Acacie 8 Zona Industriale D4
P. O.Box 64
28075 GRIGNASCO (NO) ITALY
Tel +39 0163 4151
Fax +39 0163 411914

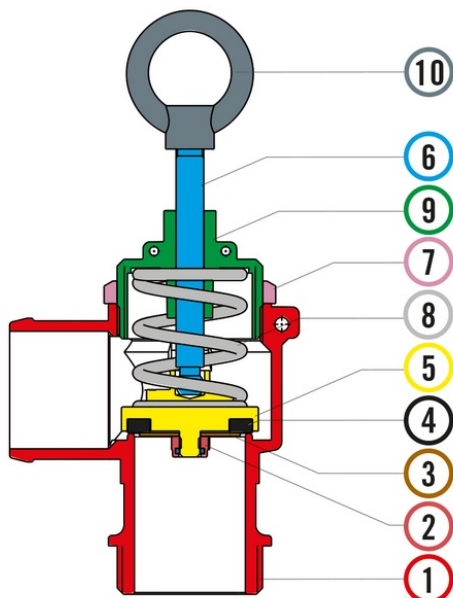
» Capitale sociale € 516.000 i.v.
Reg. Imprese di Novara N° 00469610026
R.E.A. di Novara N° 170397
Numero Meccanografico NO009263
Codice Fiscale 00469610026
Partita IVA IT 01399720034

» E - mail riv-vg@riv-vg.com
vendite.italia@riv-vg.com
export.sales@riv-vg.com
Web www.riv-vg.com



» Technical data

RIV 250



Materials				
1	Body	Brass	CB754S	
2	Nut	Steel		Zinc-plated
3	Washer	Steel		Zinc-plated
4	Gasket	FKM		
5	Disc	Brass	CW617N	
6	Stem	Brass	CW614N	
7	Lock Nut	Brass	CW617N	
8	Spring	Steel		Zinc-plated
9	Spring Tightener	Brass	CW617N	
10	Ring	POM		

Connections

ISO 228/1, ANSI B1.20.1 (NPT)

Limit

-20°C (-4°F) (without liquid) +180°C (+356°F)

Notes

The max.working pressure (PN) means at a room temperature of about 23°C.



Rubinerterie Italiane Velatta SpA
since 1950

» YOU need the BEST

OPALE

» More Products



RIV 230

Spring operated
pressure relief valve
with free discharge



RIV 250

Spring operated
pressure relief valve
with hose-connection

>> RIV
90250 Calibrated &
sealed

» RIV Rubinerterie Italiane Velatta S.p.A
Via delle Acacie 8 Zona Industriale D4
P. O.Box 64
28075 GRIGNASCO (NO) ITALY
Tel +39 0163 4151
Fax +39 0163 411914

» Capitale sociale € 516.000 i.v.
Reg. Imprese di Novara N° 00469610026
R.E.A. di Novara N° 170397
Numero Meccanografico NO009263
Codice Fiscale 00469610026
Partita IVA IT 01399720034

» E - mail riv-vg@riv-vg.com
vendite.italia@riv-vg.com
export.sales@riv-vg.com
Web www.riv-vg.com

