

Proudly Distributed By:
**ARMSTRONG
EQUIPMENT
INC.**



607 PRO HEAVY DUTY VACUUM PUMPS PARTS CATALOG

NVE

National Vacuum Equipment, Inc.



MADE IN THE USA

Challenger Series

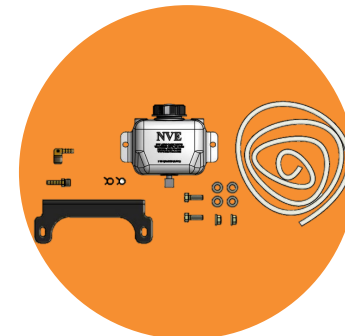
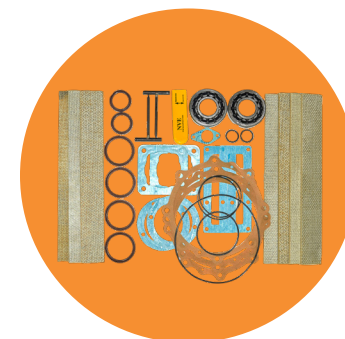
VACUUM PUMPS & BLOWERS

Designed. Built. Supported in The USA.

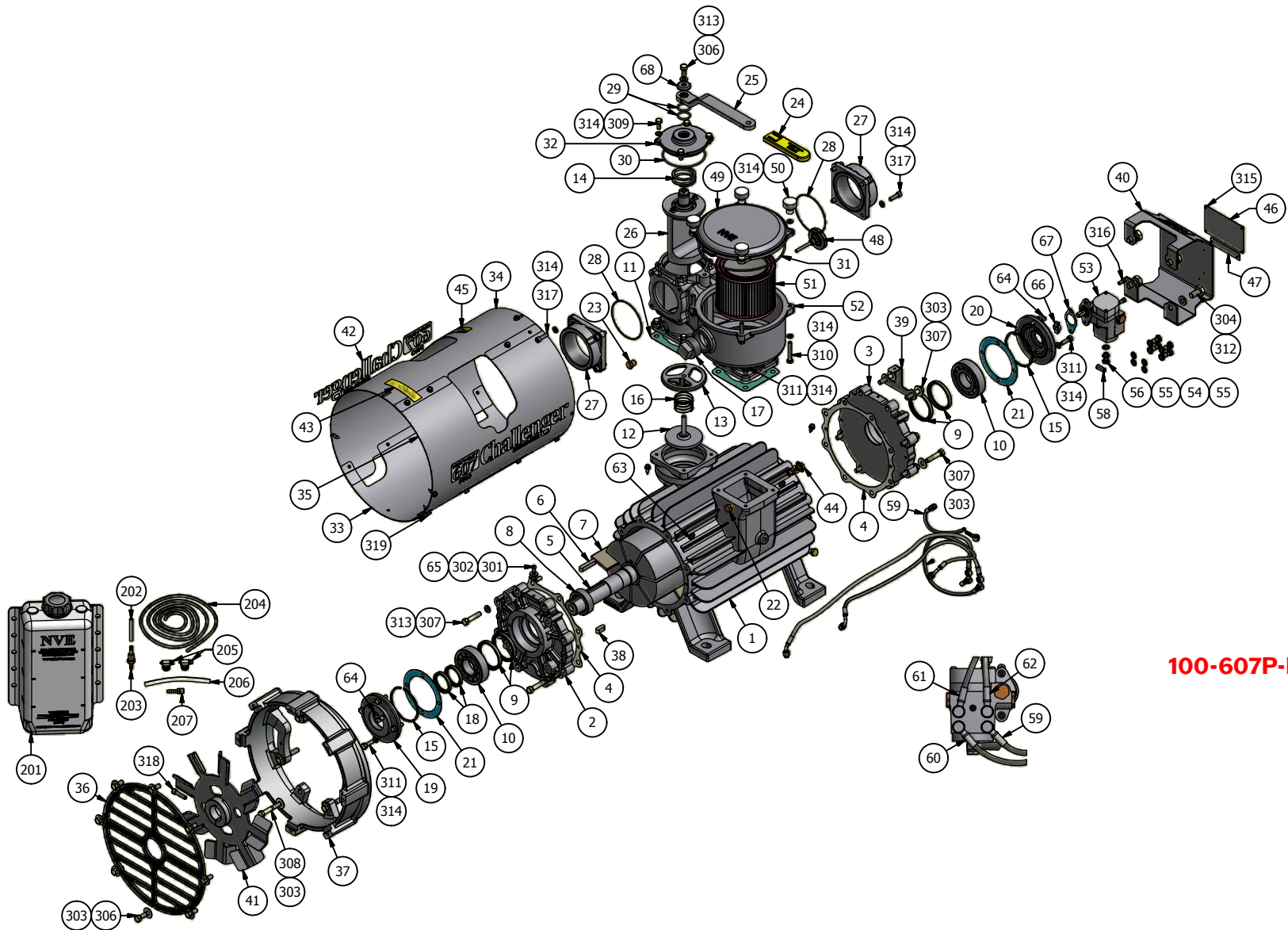
607 PRO Maintenance Items

Features

- The NVE Challenger repair kits come with or without bearings and include the seals, gaskets, and vanes required for repair.
- The NVE Challenger flush kits come with all the required items to properly flush your Challenger vacuum pumps.
- The NVE Challenger Pump Oil is ISO 150 though this oil is not required, it is recommended to keep your vacuum pump lubricated properly, particularly in extreme conditions. Sold by the case, six (6) gallons per case.



PRODUCT DESCRIPTION	PART NUMBER	WEIGHT	MSRP
Tool Kit for 367/607	120-OT	4 lbs	\$154.50
Repair Kit 607 PRO	115-607-0	7 lbs	\$687.55
Repair Kit 607 PRO (without bearings)	115-607-0B	4 lbs	\$638.60
Flush fluid Kit	320-081-002	2 lbs	\$88.81
Oil Vacuum Pump R&O ISO 150/SAE 40 ND - Price per Gallon. 6 Gallons per Case.	150-220-VPOIL-150	7 lbs	\$27.93
Oil Tank 5 QT & Tethered Cap	320-082-001	1.60 lbs	\$41.20
Remote Oil Tank Kit	320-081	2.30 lbs	\$84.46
Oil Tank Cap Black W/Tether	320-083-002	0.10 lbs	\$7.34



100-607P-FD

607 PRO Challenger Series Fan Cooled | Parts List

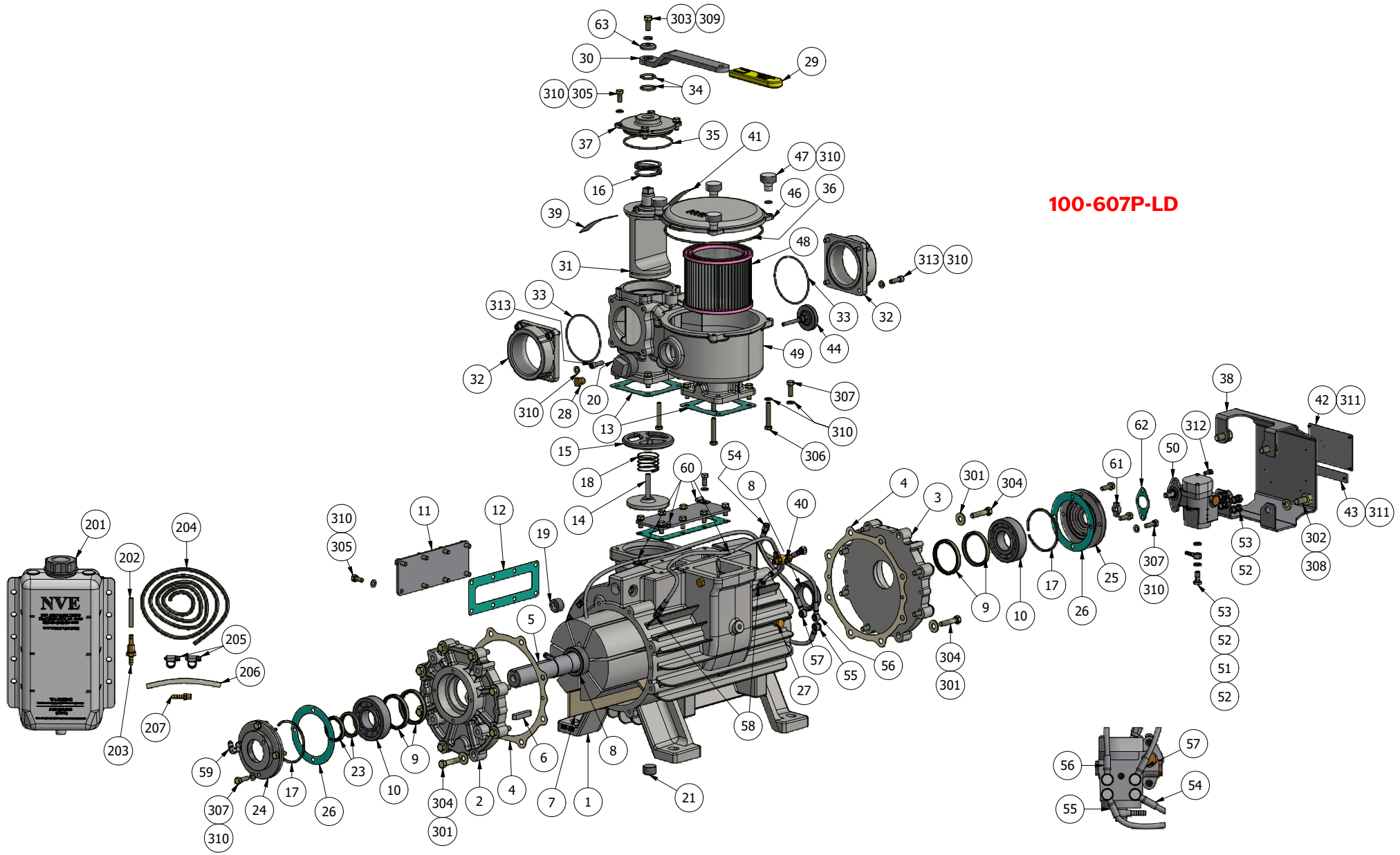
ITEM	QTY	PART NUMBER	DESCRIPTION
1	1	120-001-367	HOUSING 607
2	1	120-003-002 120-003-003	ENDPLATE 607 (CW PUMP) ENDPLATE 607 (CCW PUMP)
3	1	120-003-003 120-003-002	ENDPLATE 607 (CW PUMP) ENDPLATE 607 (CCW PUMP)
4	4	120-004-367	GASKET ENDPLATE 607
5	1	120-005-367	ROTOR 607
6	1	120-006	KEY 3/8" X 3/8" X 2"
7	7	120-007-367	VANE 607
8	2	120-009-367	SEAL SLEEVE 607
9	4	120-018-367	SEAL 60 X 72 X 8 VITON SGL LIP
10	2	120-019-367	BEARING NJ308 C3
11	2	120-039-367	GASKET 607 INTAKE/EXHAUST
12	1	120-041-367	CHECK VALVE 3"
13	1	120-042-367	RETAINER RING CHECK VALVE 3"
14	1	120-045	SPRING 4-WAY FTR VALVE
15	2	120-045-001	SPRING WAVE WIRE 3.50" DIA
16	1	120-046-367	SPRING CHECK VALVE
17	1	120-047-004	PLUG 1.5" NPT SQ CORED GALV
18	2	120-053	SEAL 40 X 52 X 7 VITON
19	1	120-054-001	BEARING COVER 607
20	1	120-054-002	BEARING COVER 607 OIL PUMP
21	2	120-055-367	GASKET, FRONT BEARING COVER
22	2	120-058	PLUG BRASS HEX HEAD 1/8" NPT
23	1	120-059	PLUG BRASS HEX HEAD 1/4" NPT
24	2	120-060-005	GRIP 3/8" HANDLE W/ LOGO
25	2	120-060-006	HANDLE 3/8"
26	1	120-062-002	PLUG 4-WAY FOR 3/8" HANDLE
27	2	120-063-367	FLANGE 4-WAY 3" NPT
28	2	120-064-001	O-RING, 2-154 VITON
29	2	120-064-002	O-RING, 2-214 VITON
30	1	120-064-003	O-RING, 2-240 VITON
31	1	120-064-004	O-RING, 2-265 VITON
32	1	120-065-002	TOWER 3" 607
33	1	120-070-004	SHROUD LOWER 607
34	1	120-071-004	SHROUD UPPER 607
35	1	120-072-004	SHROUD SERVICE PANEL 607
36	1	120-073-E	E-COAT FAN GUARD, 367, 460, 466 & 506
37	1	120-074-001	FAN SHROUD 607
38	1	120-076	KEY 3/8" X 3/8" X 1"
39	1	120-077-004	SHROUD SUPPORT PLATE 607

ITEM	QTY	PART NUMBER	DESCRIPTION
40	1	120-079-008	GUARD NVE OIL PUMP 607/887 W/ SN TAG MOUNT
41	1	120-083-002 120-083-001	FAN ASSY, CW 607 FAN ASSY, CCW 607
42	2	120-100-005	DECAL 607 PRO CHALLENGER HEAVY DUTY
43	1	120-101-003 120-101-004	DECAL CW ROTATION ARROW DECAL CCW ROTATION ARROW
44	1	120-102	VALVE, DRAIN 1/8" NPT
45	1	120-103-367	DECAL, IMPORTANT, MAX OPERATING TEMP
46	1	120-105-607	NAME PLATE SS, 607
47	1	120-107-001	SERIAL TAG SS
48	1	120-220	THERMOMETER, 50- 400 DEG, 2" FACE
49	1	120-310-001	COVER, FILTER 607/866
50	4	120-312-002	KNOB, 5/16-18UNC
51	1	120-314-001	FILTER ELEMENT 607/866
52	1	120-320-003	HOUSING FILTER 607 W/ RELIEF BOSS
53	1	123-000-004	OIL PUMP 4 PORT BIDIRECTIONAL
54	1	123-408-017	BANJO ADAPTER TO 0.250" HB
55	10	123-013-001	WASHER 3/8" SEALING NBR
56	5	123-408-014	BANJO BOLT 1/8" BSPP
57	.07 GAL	150-220-VPOIL-150	OIL VACUUM PUMP R&O ISO 150/SAE 40
58	1	320-083-011	CAP OIL PUMP FEED LINE FITTING
59	1	320-407-005z	OIL LINE -3 SST FEMALE JIC TO BANJO 6.75"
60	1	320-407-006z	OIL LINE -3 SST 90 DEG JIC TO BANJO 17.5"
61	1	320-407-008z	OIL LINE -3 SST 90 DEG JIC TO BANJO 24.00"
62	1	320-407-035	OIL LINE -3 SST 45 DEG JIC TO BANJO 29.75"
63	2	320-408-016	FITTING STR -3 MJIC X 1/8 MNPT
64	2	320-408-017	FITTING ELBOW -3 MJIC X 1/8 MNPT
65	1	320-409-003	P-CLIP, OIL LINE 1/4" X 5/16
66	1	320-LF8	DRIVE TAB
67	1	320-R31	GASKET, OIL PUMP
68	1	412-020-001	WASHER, CUP 4-WAY
200	1	OWNERS MANUAL	OWNERS MANUAL
201	1	320-082-001	OIL TANK, 5QT, W/ LOGO
202	1	320-083-009	OIL TANK FILTER, 100 MESH
203	1	320-083-010	FILTER FITTING, OIL TANK 1/4 NPT
204	5 FT	320-407-003	OIL LINE, BLK 1/4" ID 30R7
205	2	416-025-1WC	CLAMP, WORM, 1/4" DIA
206	6 IN	320-R102	OIL LINE, 3/8" X 1/4" ID X 6" LG
207	1	310-LPS	HOSE BARB 1/4" X 1/8" NPT STRAIGHT
302	1	FW - 1/4 USS	FLAT WASHER - 1/4" USS
303	22	FW - 3/8	FLAT WASHER, 3/8"

607 PRO Challenger Series Fan Cooled | Parts List

ITEM	QTY	PART NUMBER	DESCRIPTION
304	4	HHCS - 1_2-13 UNC X 1.00	HHCS - 1/2-13 UNC X 1.00
306	9	HHCS - 3/8-16 UNC X 0.75	HEX HEAD CAP SCREW - 3/8-16 UNC X 0.75
307	10	HHCS - 3/8-16 UNC X 1.75	HEX HEAD CAP SCREW - 3/8-16 UNC X 1.75
308	6	HHCS - 3/8-16 UNC X 2.25	HEX HEAD CAP SCREW - 3/8-16 UNC X 2.25
309	4	HHCS - 5/16-18 UNC x 0.75	HEX HEAD CAP SCREW - 5/16-18 UNC x 0.75
310	4	HHCS - 5/16-18 UNC X 2.00 - FULL THREAD	HEX HEAD CAP SCREW - 5/16-18 UNC X 2.00 FULL THREAD
311	16	HHCS - 5/16-18 UNC X 1.00	HEX HEAD CAP SCREW - 5/16-18 UNC X 1.00
312	5	LW - 1/2	LOCK WASHER, 1/2
313	3	LW - 3/8	LOCK WASHER, 3/8
314	36	LW - 5/16	LOCK WASHER, 5/16
315	6	RVT 3/32 D X 1/4L SS	BLIND RIVET, 3/32 DIA X 1/4 GRIP, SS
316	2	SHCS - 1/4-20 UNC X 0.50	SHCS - 1/4-20 UNC X 0.50
317	8	SHCS - 5/16-18 UNC X 1	SHCS - 5/16-18 UNC X 1
318	1	SHCS - 5/16-24 UNF X 1.25	SHCS - 5/16-24 UNF X 1.25
319	16	TAPSCR - 1/4-14 X 0.75	HEX HEAD SELF TAPPING SCREW 1/4-14

607 PRO Challenger Series Liquid Cooled | Parts Diagram



607 PRO Challenger Series Liquid Cooled | Parts List

Challenger Series

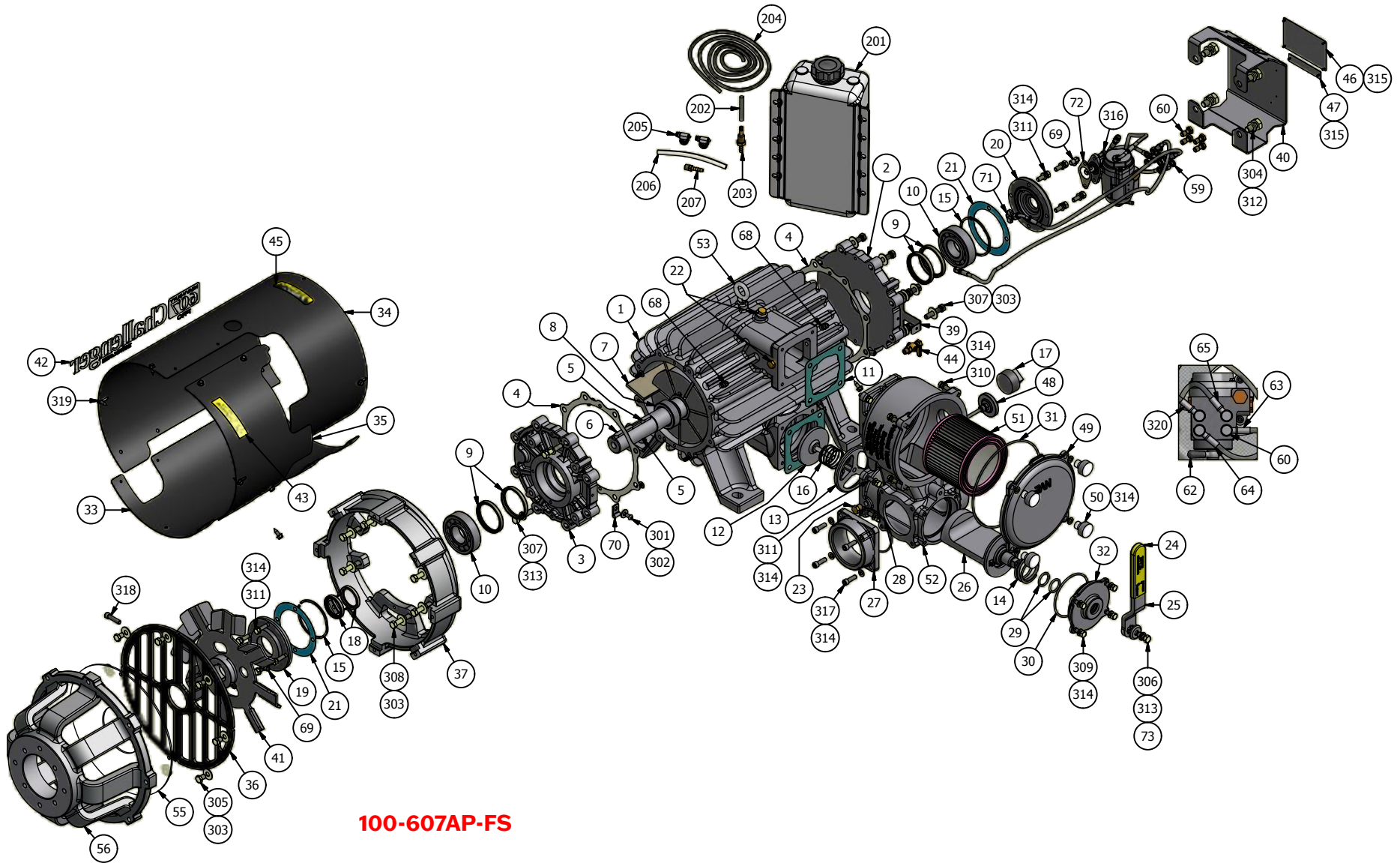


ITEM	QTY	PART NUMBER	DESCRIPTION
1	1	120-001-367-L	HOUSING 607 LIQ
2	1	120-003-002 120-003-003	ENDPLATE, CW MACHINED 607 (CW PUMP) ENDPLATE, CCW MACHINED 607 (CCW PUMP)
3	1	120-003-003 120-003-002	ENDPLATE, CCW MACHINED 607 (CW PUMP) ENDPLATE, CW MACHINED 607 (CCW PUMP)
4	2	120-004-367	GASKET ENDPLATE 607
5	1	120-005-367	ROTOR 607
6	1	120-006	KEY 3/8" X 3/8" X 2"
7	7	120-007-367	VANE 607
8	2	120-009-367	SEAL SLEEVE 607
9	4	120-018-367	SEAL 60 X 72 X 8 VITON SGL LIP
10	2	120-019-367	BEARING NJ308 C3
11	2	120-021-367	COVER PLATE, 367 WATER JACKET
12	2	120-022-367	GASKET, 367/506 COVER PLATE
13	2	120-039-367	GASKET 607 INTAKE/EXHAUST
14	1	120-041-367	CHECK VALVE 3"
15	1	120-042-367	RETAINER RING CHECK VALVE 3"
16	1	120-045	SPRING 4-WAY FTR VALVE
17	2	120-045-001	SPRING WAVE WIRE 3.50" DIA
18	1	120-046-367	SPRING CHECK VALVE
19	1	120-047	DRAIN PLUG, 3/4" NPT
20	1	120-047-004	PLUG 1.5" NPT SQ CORED GALV
21	1	120-047-1	DRAIN PLUG, 3/4" NPT MAGNETIC
22	1	120-049	BUSHING, 3/4" NPT X 1/8" FNPT
23	2	120-053	SEAL 40 X 52 X 7 VITON
24	1	120-054-001	BEARING COVER 607
25	1	120-054-002	BEARING COVER 607 OIL PUMP
26	2	120-055-367	GASKET, FRONT BEARING COVER
27	2	120-058	PLUG BRASS HEX HEAD 1/8" NPT
28	1	120-059	PLUG BRASS HEX HEAD 1/4" NPT
29	1	120-060-005	GRIP 3/8" HANDLE W/ LOGO
30	1	120-060-006	HANDLE 3/8"
31	1	120-062-002	PLUG 4-WAY FOR 3/8" HANDLE
32	2	120-063-367	FLANGE 4-WAY 3" NPT
33	2	120-064-001	O-RING, 2-154 VITON
34	2	120-064-002	O-RING, 2-214 VITON
35	1	120-064-003	O-RING, 2-240 VITON
36	1	120-064-004	O-RING, 2-265 VITON
37	1	120-065-002	TOWER 3" 607
38	1	120-079-008	GUARD NVE OIL PUMP 607/887 W/ SN TAG
39	1	120-101-003	DECAL CW ROTATION ARROW

ITEM	QTY	PART NUMBER	DESCRIPTION
40	1	120-102	VALVE, DRAIN 1/8" NPT
41	1	120-103-367	DECAL, IMPORTANT, MAX OPERATING TEMP
42	1	120-105-607	NAME PLATE SS, 607
43	1	120-107-001	SERIAL TAG SS
44	1	120-220	THERMOMETER, 50- 400 DEG, 2" FACE
45	1	120-220-1	THERMOMETER 220 F 1/8" NPT
46	1	120-310-001	COVER, FILTER 607/866
47	4	120-312-002	KNOB, 5/16-18UNC
48	1	120-314-001	FILTER ELEMENT 607/866
49	1	120-320-003	HOUSING FILTER 607 W/ RELIEF BOSS
50	1	123-000-004	OIL PUMP 4 PORT BIDIRECTIONAL
51	1	123-408-017	BANJO ADAPTER TO 0.250" HB
52	10	123-013-001	WASHER 3/8" SEALING NBR
53	5	123-408-014	BANJO BOLT 1/8" BSPP
54	1	320-407-005z	OIL LINE -3 SST FEMALE JIC TO BANJO 6.75"
55	1	320-407-006z	OIL LINE -3 SST 90 DEG JIC TO BANJO 17.5"
56	1	320-407-007z	OIL LINE -3 SST FEMALE JIC TO BANJO 28.75"
57	1	320-407-014	OIL LINE -3 SST FEMALE JIC TO BANJO 32.25"
58	2	320-408-016	FITTING STR -3 MJIC X 1/8 MNPT
59	2	320-408-017	FITTING ELBOW -3 MJIC X 1/8 MNPT
60	4	320-409-003	P-CLIP, OIL LINE 1/4" X 5/16
61	1	320-LF8	DRIVE TAB
62	1	320-R31	GASKET, OIL PUMP
63	1	412-020-001	WASHER, CUP 4-WAY
201	1	320-082-001	OIL TANK, 5QT, W/ LOGO
202	1	320-083-009	OIL TANK FILTER, 100 MESH
203	1	320-083-010	FILTER FITTING, OIL TANK 1/4 NPT
204	5 FT	320-407-003	OIL LINE, BLK 1/4" ID 30R7
205	2	416-025-1WC	CLAMP, WORM, 1/4" DIA
206	6 IN	320-R102	OIL LINE, 3/8" X 1/4" ID X 6" LG
207	1	310-LP5	HOSE BARB 1/4" X 1/8" NPT STRAIGHT

607 PRO Challenger Series Liquid Cooled | Parts List

ITEM	QTY	PART NUMBER	DESCRIPTION
301	16	FW - 3/8	FLAT WASHER, 3/8"
302	4	HHCS - 1/2-13 UNC X 1.00	HHCS - 1/2-13 UNC X 1.00
303	1	HHCS - 3/8-16 UNC X 0.75	HEX HEAD CAP SCREW - 3/8-16 UNC X 0.75
304	16	HHCS - 3/8-16 UNC X 1.75	HEX HEAD CAP SCREW - 3/8-16 UNC X 1.75
305	20	HHCS - 5/16-18 UNC x 0.75	HEX HEAD CAP SCREW - 5/16-18 UNC x 0.75
306	4	HHCS - 5/16-18 UNC X 2.00 - FULL THREAD	HEX HEAD CAP SCREW - 5/16-18 UNC X 2.00 FULL THREAD
307	16	HHCS - 5/16-18 UNC X 1.00	HEX HEAD CAP SCREW - 5/16-18 UNC X 1.00
308	4	LW - 1/2	LOCK WASHER, 1/2
309	1	LW - 3/8	LOCK WASHER, 3/8
310	52	LW - 5/16	LOCK WASHER, 5/16
311	6	RVT 3/32 D X 1/4L SS	BLIND RIVET, 3/32 DIA X 1/4 GRIP, SS
312	2	SHCS - 1/4-20 UNC X 0.50	SHCS - 1/4-20 UNC X 0.50
313	8	SHCS - 5/16-18 UNC X 1	SHCS - 5/16-18 UNC X 1



607 PRO Side Valve | Parts List

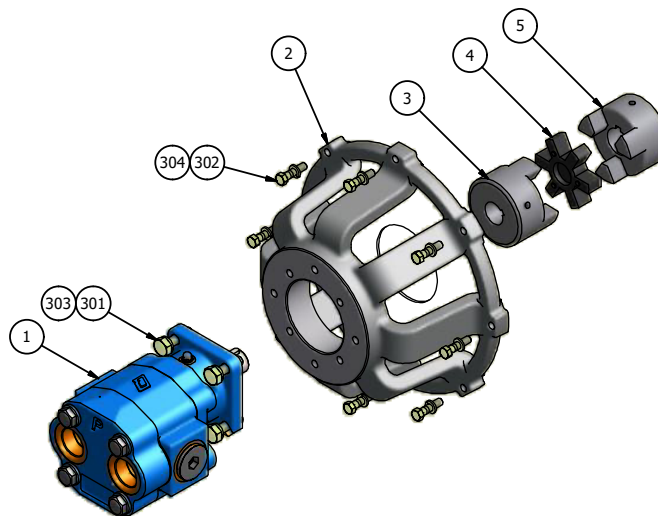
ITEM	QTY	PART NUMBER	DESCRIPTION
1	1	120-001-607A	HOUSING 607 SIDE MANIFOLD
2	1	120-003-002 120-003-003	ENDPLATE 607 (CCW PUMP) ENDPLATE 607 (CW PUMP)
3	1	120-003-003 120-003-002	ENDPLATE 607 (CCW PUMP) ENDPLATE 607 (CW PUMP)
4	4	120-004-367	GASKET ENDPLATE 607
5	1	120-005-367	ROTOR 607
6	1	120-006	KEY 3/8" X 3/8" X 2"
7	7	120-007-367	VANE 607
8	2	120-009-367	SEAL SLEEVE 607
9	4	120-018-367	SEAL 60 X 72 X 8 VITON SGL LIP
10	2	120-019-367	BEARING NJ308 C3
11	2	120-039-367	GASKET 607 INTAKE/EXHAUST
12	1	120-041-367	CHECK VALVE 3"
13	1	120-042-367	RETAINER RING CHECK VALVE 3"
14	1	120-045	SPRING 4-WAY FTR VALVE
15	2	120-045-001	SPRING WAVE WIRE 3.50" DIA
16	1	120-046-367	SPRING CHECK VALVE
17	1	120-047-004	PLUG 1.5" NPT SQ CORED GALV
18	2	120-053	SEAL 40 X 52 X 7 VITON
19	1	120-054-001	BEARING COVER 607
20	1	120-054-002	BEARING COVER 607 OIL PUMP
21	2	120-055-367	GASKET, FRONT BEARING COVER
22	2	120-058	PLUG BRASS HEX HEAD 1/8" NPT
23	1	120-059	PLUG BRASS HEX HEAD 1/4" NPT
24	1	120-060-005	GRIP 3/8" HANDLE W/ LOGO
25	1	120-060-006	HANDLE 3/8"
26	1	120-062-002	PLUG 4-WAY FOR 3/8" HANDLE
27	2	120-063-367	FLANGE 4-WAY 3" NPT
28	2	120-064-001	O-RING, 2-154 VITON
29	2	120-064-002	O-RING, 2-214 VITON
30	1	120-064-003	O-RING, 2-240 VITON
31	1	120-064-004	O-RING, 2-265 VITON
32	1	120-065-002	TOWER 3" 607
33	1	120-070-006	SHROUD LOWER 607 SIDE VALVE
34	1	120-071-006	SHROUD UPPER 607 SIDE VALVE
35	1	120-072-006	SHROUD SERVICE PANEL 607 SIDE VALVE
36	1	120-073-E	FAN COVER 607/866 E-COAT
37	1	120-074-001	FAN SHROUD 607
38	1	120-076	KEY 3/8" X 3/8" X 1"
39	2	120-077-004	SHROUD SUPPORT PLATE 607

ITEM	QTY	PART NUMBER	DESCRIPTION
40	1	120-079-008	GUARD NVE OIL PUMP 607/887 W/ SN TAG MOUNT
41	1	120-083-001 120-083-002	FAN ASSY 607 CCW FAN ASSY 607 CW
42	1	120-100-005	DECAL 607 PRO CHALLENGER HEAVY DUTY
43	1	120-101-003 120-101-004	DECAL CW ROTATION ARROW DECAL CCW ROTATION ARROW
44	1	120-102	VALVE, DRAIN 1/8" NPT
45	1	120-103-367	DECAL, IMPORTANT, MAX OPERATING TEMP
46	1	120-105-607	NAME PLATE SS, 607
47	1	120-107-001	SERIAL TAG SS
48	1	120-220	THERMOMETER, 50- 400 DEG, 2" FACE
49	1	120-310-001	COVER, FILTER 607/866
50	4	120-312-002	KNOB, 5/16-18UNC
51	1	120-314-001	FILTER ELEMENT 607/866
52	1	120-320-003	HOUSING FILTER 607 W/ RELIEF BOSS
53	1	120-351-002	LIFT EYE SHOULDERED 3/8-16 PLATED
54	1	120-400-001	HYDRAULIC ADAPTER 607/866 SAE
55	1	116-466-2-Test	FAN GUARD EXPANDED METAL DISC
56	1	120-400-001-Test	HYDRAULIC ADAPTER, 607
57	4	91355A178	
58	1	123-000-004	OIL PUMP 4 PORT NVE
59	10	123-013-001	WASHER 3/8" SEALING NBR
60	5	123-408-014	BANJO BOLT 1/8" BSPP
61	.07 GAL	150-220-VPOIL-150	OIL VACUUM PUMP R&O ISO 150/SAE 40
62	1	320-083-011	CAP OIL PUMP FEED LINE FITTING
63	1	320-407-005-035	607 SIDE MANIFOLD, CCW FAN COOLED
64	1	320-407-006-035	607 SIDE MANIFOLD, CCW FAN COOLED
65	1	320-407-007-035	607 SIDE MANIFOLD, CCW FAN COOLED
66	1	320-407-008-035	607 SIDE MANIFOLD, CCW FAN COOLED
67	1	320-407-008-035	
68	2	320-408-016	FITTING STR -3 MJIC X 1/8 MNPT
69	2	320-408-017	FITTING ELBOW -3 MJIC X 1/8 MNPT
70	2	320-409-003	P-CLIP, OIL LINE 1/4" X 5/16
71	1	320-LF8	DRIVE TAB
72	1	320-R31	GASKET, OIL PUMP
73	1	412-020-001	WASHER, CUP 4-WAY
200	1	OWNERS MANUAL - 607	OWNERS MANUAL - 607
201	1	320-082-001	OIL TANK, 5QT, W/ LOGO
202	1	320-083-009	OIL TANK FILTER, 100 MESH
203	1	320-083-010	FILTER FITTING, OIL TANK 1/4 NPT

607 PRO Side Valve | Parts List

ITEM	QTY	PART NUMBER	DESCRIPTION
204	5 FT	320-407-003	OIL LINE, BLK 1/4" ID 30R7
205	2	416-025-1WC	CLAMP, WORM, 1/4" DIA
206	6 IN	320-R102	OIL LINE, 3/8" X 1/4" ID X 6" LG
207	1	310-LPS	HOSE BARB, 1/4" X 1/8" NPT STRAIGHT
301	1	BHCS - 1/4-20 UNC X 0.50	BHCS - 1/4-20 UNC X 0.50
302	1	FW - 1_4 USS	FLAT WASHER - 1/4" USS
303	22	FW - 3/8	FLAT WASHER, 3/8
304	4	HHCS - 1_2-13 UNC X 1.00	HHCS - 1/2-13 UNC X 1.00
305	8	HHCS - 3/8-16 UNC X 0.50	HEX HEAD CAP SCREW - 3/8-16 UNC X 0.50
306	1	HHCS - 3/8-16 UNC X 0.75	HEX HEAD CAP SCREW - 3/8-16 UNC X 0.75
307	10	HHCS - 3/8-16 UNC X 1.75	HEX HEAD CAP SCREW - 3/8-16 UNC X 1.75
308	6	HHCS - 3/8-16 UNC X 2.25	HEX HEAD CAP SCREW - 3/8-16 UNC X 2.25
309	4	HHCS - 5/16-18 UNC x 0.75	HEX HEAD CAP SCREW - 5/16-18 UNC x 0.75
310	4	HHCS - 5/16-18 UNC X 2.00 - FULL THREAD	HEX HEAD CAP SCREW - 5/16-18 UNC X 2.00 FULL THREAD
311	16	HHCS - 5/16-18 UNC X 1.00	HEX HEAD CAP SCREW - 5/16-18 UNC X 1.00
312	4	LW - 1/2	LOCK WASHER, 1/2
313	3	LW - 3/8	LOCK WASHER, 3/8
314	36	LW - 5/16	LOCK WASHER, 5/16
315	6	RVT 3/32 D X 1/4L SS	BLIND RIVET, 3/32 DIA X 1/4 GRIP, SS
316	2	SHCS - 1/4-20 UNC X 0.50	SHCS - 1/4-20 UNC X 0.50
317	8	SHCS - 5/16-18 UNC X 1	SHCS - 5/16-18 UNC X 1
318	1	SHCS - 5_16-24 UNF X 1.25	SHCS - 5/16-24 UNF X 1.25
319	15	TAPSCR - 1_4-14 X 0.75	HEX HEAD SELF TAPPING SCREW 1/4-14
320	1	320-408-021	FITTING -3 BANJO HOSE END, R14 -3 W/ COLLAR
321	1	320-408-020	FITTING 90 DEG 3 HOSE END

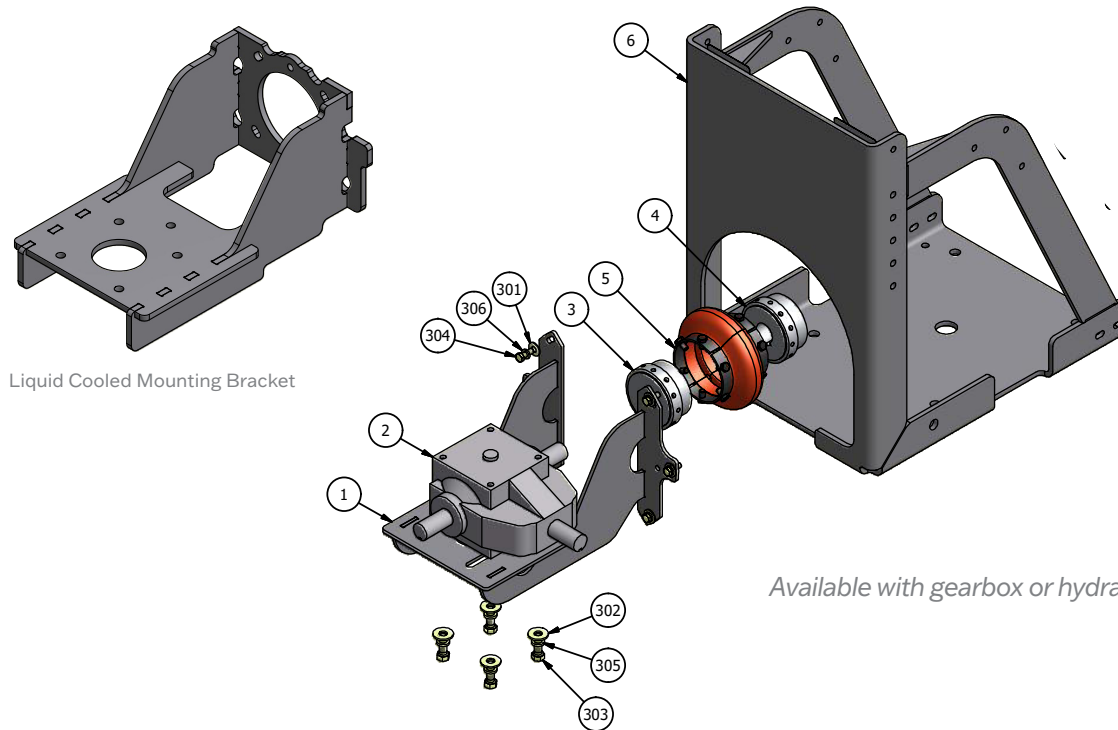
607 PRO Hydraulic Motor Drive | Parts Diagram



**Note: For applications involving liquid cooled pumps, a fan shroud will be required for proper hydraulic motor drive installation.*

607 PRO Hydraulic Motor Drive | Parts List

ITEM	QTY	PART NUMBER	DESCRIPTION
1	1	440-2000-001	HYDRAULIC MOTOR 607
2	1	120-400-001	HYDRAULIC ADAPTER 607/866 SAE
3	1	424-150-125-HYD	COUPLER FLANGE, LOVEJOY 1.25" X 5/16" KEYWAY
4	1	424-150-S	SPIDER, LOVEJOY 150, EPDM
5	1	424-150-150	COUPLER FLANGE, LOVEJOY 1.50" X 3/8 KEY
301	4	HHCS - 1/2-13 UNC - 1.75	HEX HEAD CAP SCREW - 1/2-13 UNC X 1.75"
302	8	HHCS - 3/8-16 UNC X 1.50	HEX HEAD CAP SCREW - 3/8-16 UNC X 1.50"
303	4	LW - 1/2	LOCK WASHER, 1/2
304	8	LW - 3/8	LOCK WASHER, 3/8"
		116-607HYD	HYDRAULIC MOTOR KIT 607 - INCLUDES THE ABOVE ITEMS



Liquid Cooled Mounting Bracket

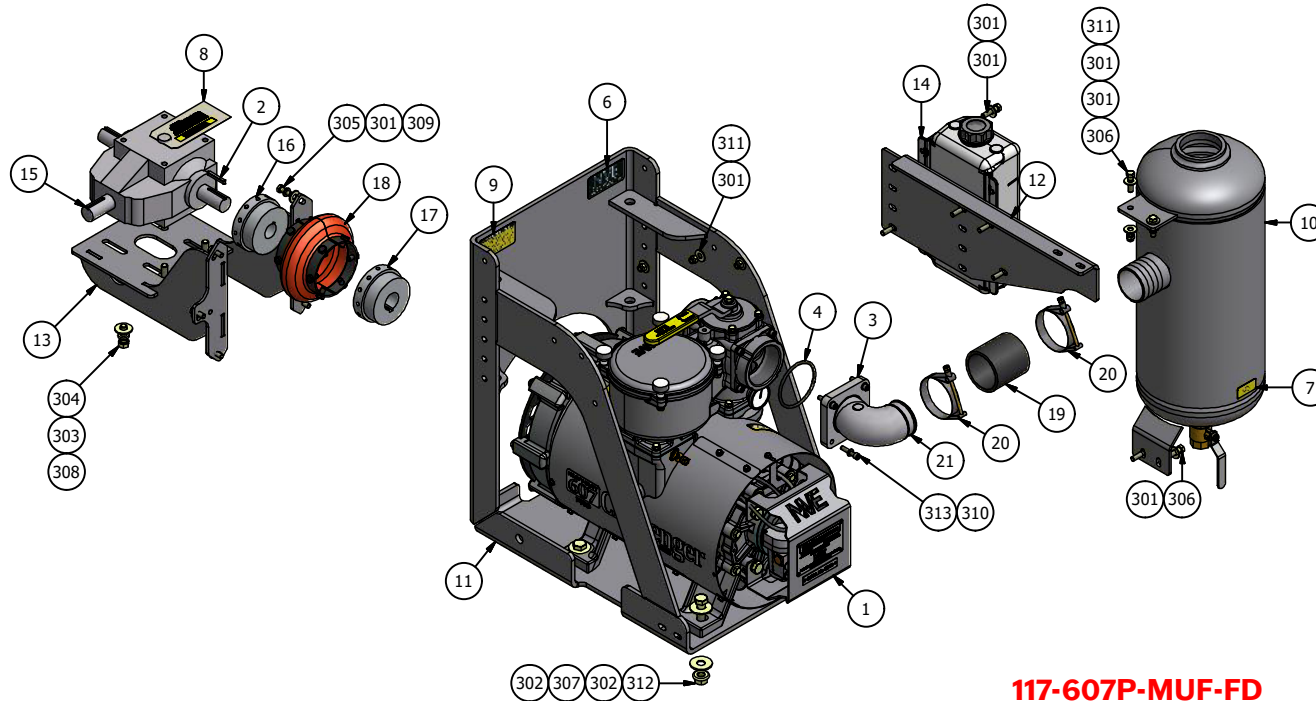
Available with gearbox or hydraulic drive applications.

607 PRO Pump Stand Complete | Parts List

ITEM	QTY	PART NUMBER	DESCRIPTION
1	1	280-401-003 280-401-004	607P FAN COOLED GEARBOX MOUNT WELDED 607P LIQUID COOLED GEARBOX MOUNT
2	1	422-400-1	GEARBOX, 400 SERIES 1:1 RATIO
3	1	424-200-125	COUPLER HUB E20 1 1/4" BORE 1/4" KEY
4	1	424-200-150	COUPLER HUB E20 1 1/2" BORE
5	1	424-200-E20	COUPLER FLEX ELEMENT E20
6	1	280-350-017	PUMP STAND, 607P MUFFLER PACK
7	1	100-607P-FD	607 PRO CHALLENGER, FAN COOLED, CW
8	1	120-006-184	KEY .25" X .25" X 1.875"
9	1	120-100-001	DECAL, NVE, MUFFLER PAK

ITEM	QTY	PART NUMBER	DESCRIPTION
10	1	120-100-013	TOE TAG DECAL GEARBOX VENT (INSTALL)
11	1	120-104-001	DECAL, IMPORTANT, RESPONSIBILITY
301	6	FW - 3/8	FLAT WASHER, 3/8"
302	4	FW 1/2 USS	FLAT WASHER 1/2" USS
303	4	HHCS - 1/2-13 X 1.50	HEX HEAD CAP SCREW - 1/2-13 UNC X 1.50
304	6	HHCS - 3/8-16 UNC X 1.00	HEX HEAD CAP SCREW - 3/8-16 UNC X 1.00
305	4	LW - 1/2	LOCK WASHER, 1/2"
306	6	LW - 3/8	LOCK WASHER, 3/8"
307	8	FW - 5/8	FLAT WASHER - 5/8"
308	4	HHCS - 5/8 X 2.25 UNC	HEX HEAD CAP SCREW - 5/8 X 2.25 UNC
309	4	NYLOCK NUT - 5/8 UNC	NYLOCK NUT - 5/8 UNC

607 PRO Muffler Package | Parts Diagram



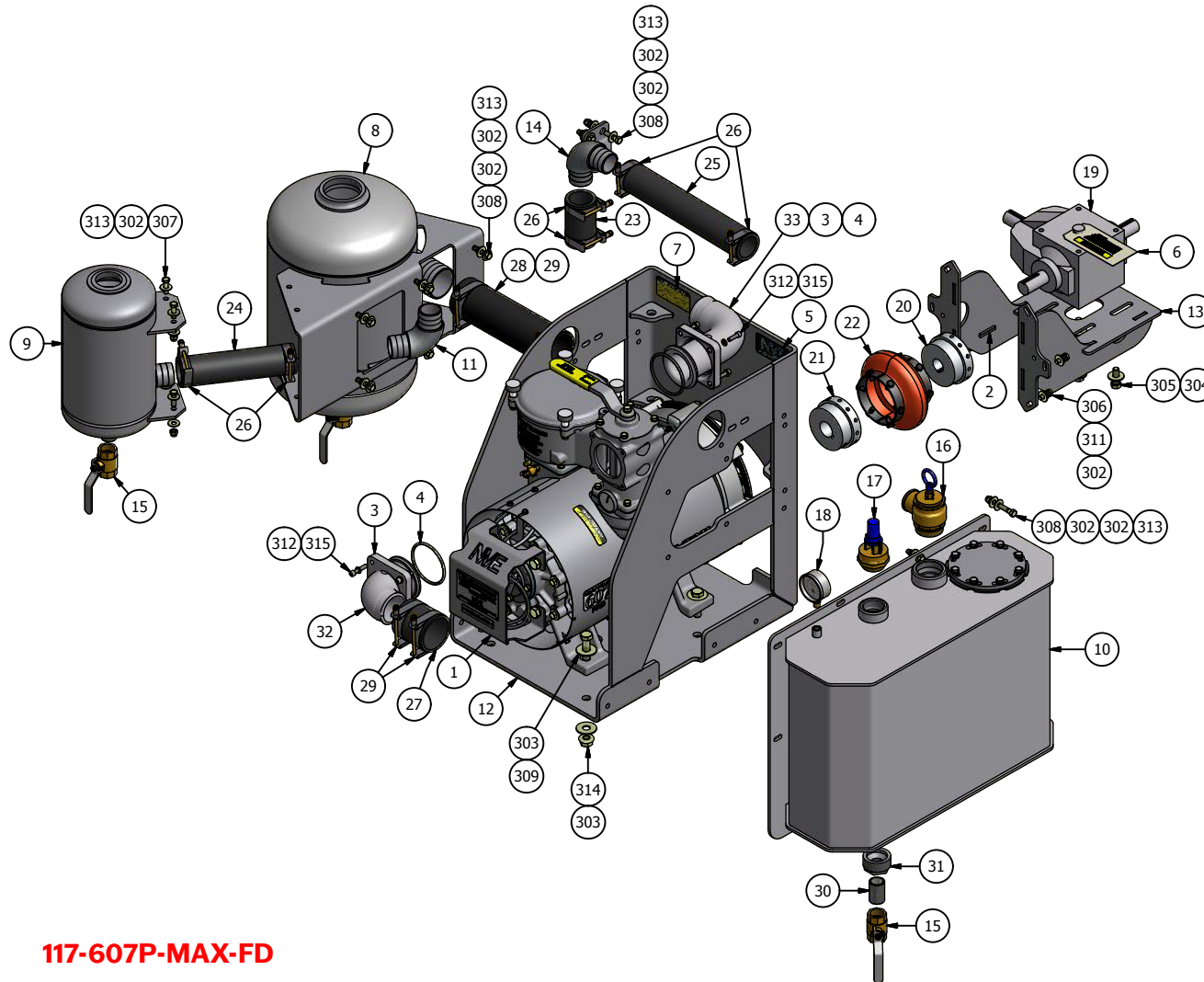
117-607P-MUF-FD

Available with gearbox or hydraulic drive applications.

607 PRO Muffler Package | Parts List

ITEM	QTY	PART NUMBER	DESCRIPTION
1	1	100-607P-FD	607 PRO CHALLENGER, FAN COOLED, CW
2	1	120-006-184	KEY .25" X .25" X 1.875"
3	1	120-063-007	FLANGE ELBOW ALUM 3"
4	1	120-064-016	O-RING, 2-342 VITON
6	1	120-100-001	DECAL, NVE, MUFFLER PAK
7	1	120-100-011	DECAL DRAIN DAILY - YELLOW
8	1	120-100-013	TOE TAG DECAL GEARBOX VENT (INSTALL)
9	1	120-104-001	DECAL, IMPORTANT, RESPONSIBILITY
10	1	212-100-3NPT-4	OCM 10" DIA X 17.5" NPT W/ HB
11	1	280-350-017	PUMP STAND, 607P MUFFLER PACK
12	1	280-355-193	OCM BRACKET 607 MUF FD
13	1	280-401-003	607P GEARBOX MOUNT WELDED
14	1	320-081	REMOTE OIL TANK KIT
15	1	422-400-1	GEARBOX, 400 SERIES 1:1 RATIO
16	1	424-200-125	COUPLER HUB E20 1 1/4" BORE 1/4" KEY
17	1	424-200-150	COUPLER HUB E20 1 1/2" BORE
18	1	424-200-E20	COUPLER FLEX ELEMENT E20
19	1	426-300-TAR-0350	HOSE 3"D X 3.5" L
20	2	426-3875-TBC	CLAMP, T-BOLT 3.875"
21	1	803-063-005	ELBOW, 3" STE CAST
301	24	FW - 3_8	FLAT WASHER, 3/8"
302	8	FW - 5/8	FLAT WASHER, 5/8
303	4	FW - 1/2	FLAT WASHER, 1/2
304	4	HHCS - 1/2-13 UNC X 1.50	HEX HEAD CAP SCREW - 1/2-13 UNC X 1.50
305	6	HHCS - 3/8-16 UNC X 1.00	HEX HEAD CAP SCREW - 3/8-16 UNC X 1.00
306	9	HHCS - 3/8-16 UNC X 1.50	HEX HEAD CAP SCREW - 3/8-16 UNC X 1.50
307	4	HHCS - 5/8-11 UNC X 2.25	HEX HEAD CAP SCREW - 5/8-11 UNC X 2.25
308	4	LW - 1/2	LOCK WASHER, 1/2
309	6	LW - 3/8	LOCK WASHER, 3/8
310	4	LW - 5/16	LOCK WASHER, 5/16
311	9	NYLOCK NUT - 3/8 UNC	NYLOCK NUT - 3/8 UNC
312	4	NYLOCK NUT - 5/8 UNC	NYLOCK NUT - 5/8 UNC
313	4	SHCS - 5/16-18 UNC X 1.50	SHCS - 5/16-18 UNC X 1.50

607 PRO Max Package | Parts Diagram



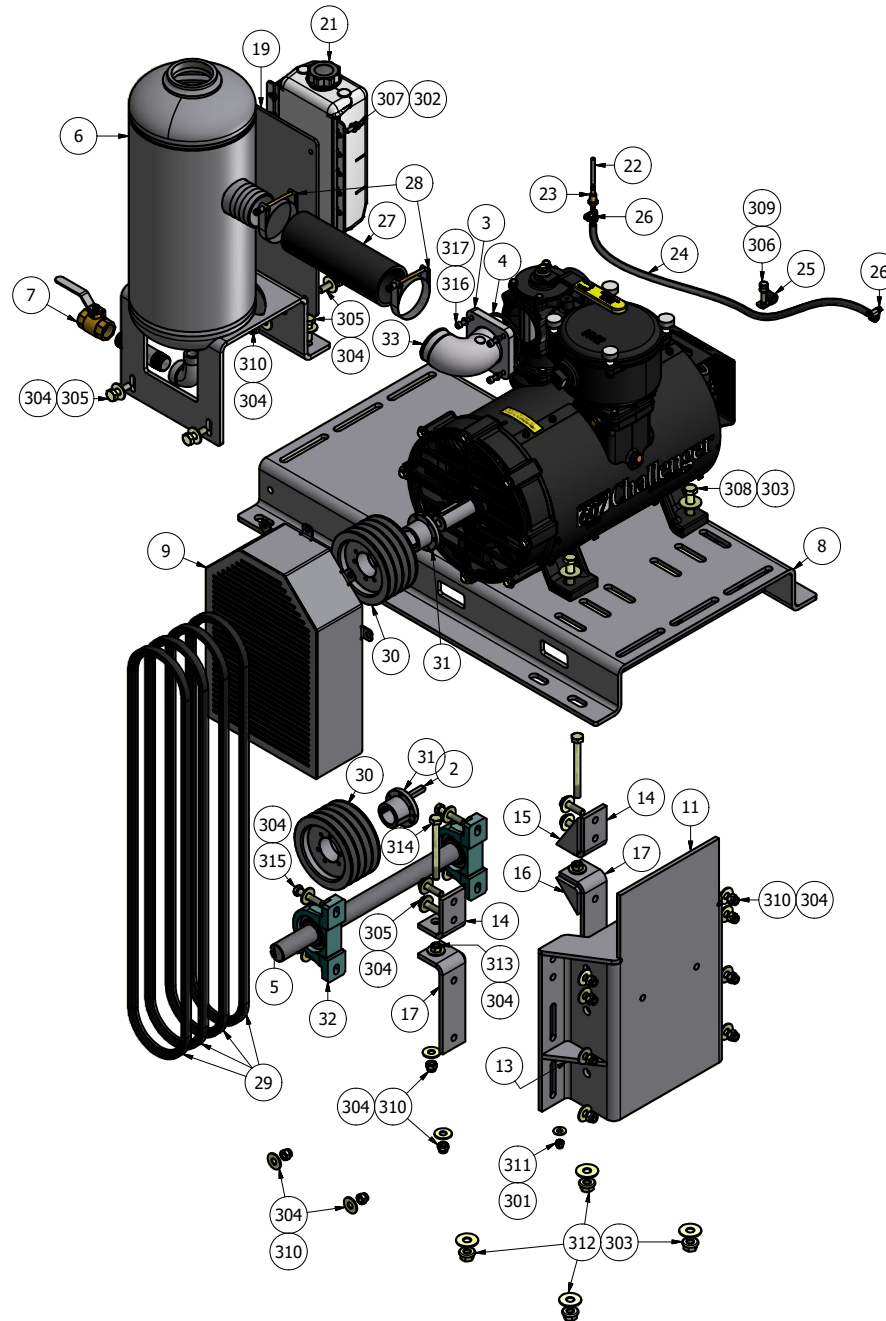
117-607P-MAX-FD

Available with gearbox or hydraulic drive applications.

607 PRO Max Package | Parts List

ITEM	QTY	PART NUMBER	DESCRIPTION
1	1	100-607P-FD	607 PRO CHALLENGER, FAN COOLED, CW
2	1	120-006-184	KEY .25" X .25" X 1.875"
3	2	120-063-007	FLANGE ELBOW ALUM 3"
4	2	120-064-016	O-RING, 2-342 VITON
5	1	120-100-001	DECAL, NVE, MUFFLER PAK
6	1	120-100-013	TOE TAG DECAL GEARBOX VENT (INSTALL)
7	1	120-104-001	DECAL, IMPORTANT, RESPONSIBILITY
8	1	212-120-3FNPT-1	OCM 12" DIA 3" FNPT WITH HB RH MOUNT
9	1	212-800-2FPT	OCM 8" DIA 2" FPT W/HB CARBON
10	1	218-001-3R	M.T. BOLT ON, 3" ALUM
11	1	280-355-068	ELBOW 2" SRE TO 2" HB
12	1	280-355-090	PUMP STAND
13	1	280-401-003	607P GEARBOX MOUNT WELDED
14	1	280-510-025	ELBOW 2" SRE TO 2" HB W/BRKT (RH)
15	2	288-100	DRAIN VALVE BRASS 1" IPS
16	1	364-306-2	PRESSURE RELIEF, 2"
17	1	366-150	VACUUM RELIEF, 1 1/2" NPT
18	1	408-250-LF	GAUGE, 2.5" VAC/PRESS, LIQ BOTTOM CONN
19	1	422-400-1	GEARBOX, 400 SERIES 1:1 RATIO
20	1	424-200-125	COUPLER HUB E20 1 1/4" BORE 1/4" KEY
21	1	424-200-150	COUPLER HUB E20 1 1/2" BORE
22	1	424-200-E20	COUPLER FLEX ELEMENT E20
23	1	426-200-TAR-0450	HOSE 2"D X 4.5" L
24	1	426-200-TAR-1000	HOSE 2" D X 10.0" L
25	1	426-200-TAR-1500	HOSE 2"D X 15.0" L
26	6	426-225-TBC	CLAMP T-BOLT FOR 2" HOSE
27	1	426-300-TAR-0350	HOSE 3"D X 3.5" L
28	1	426-300-TAR-1150	HOSE 3"D X 11.5" L
29	4	426-3875-TBC	CLAMP, T-BOLT 3.875"
30	1	428-100-2G	NIPPLE CLOSE MNPT 1" GALV
31	1	428-2X1-CG	BUSHING 2" MPT X 1" FPT GALVANIZED
32	1	802-063-005	ELBOW, 3" STE CAST
33	1	803-063-006	E-COAT ELBOW 3" LONG TURN ALU
302	44	FW - 3/8	FLAT WASHER, 3/8
303	8	FW - 5/8	FLAT WASHER, 5/8
304	4	FW - 1/2	FLAT WASHER, 1/2

607 PRO Top Mount Belt Drive & Pulley Drive Package | Parts Diagram



117-607P-TM-FD

**Available for belt & pulley or hydraulic drive applications.*

**Belt length will vary depending on installation.*

607 PRO Frame Mount Belt & Pulley Drive Package | Parts List

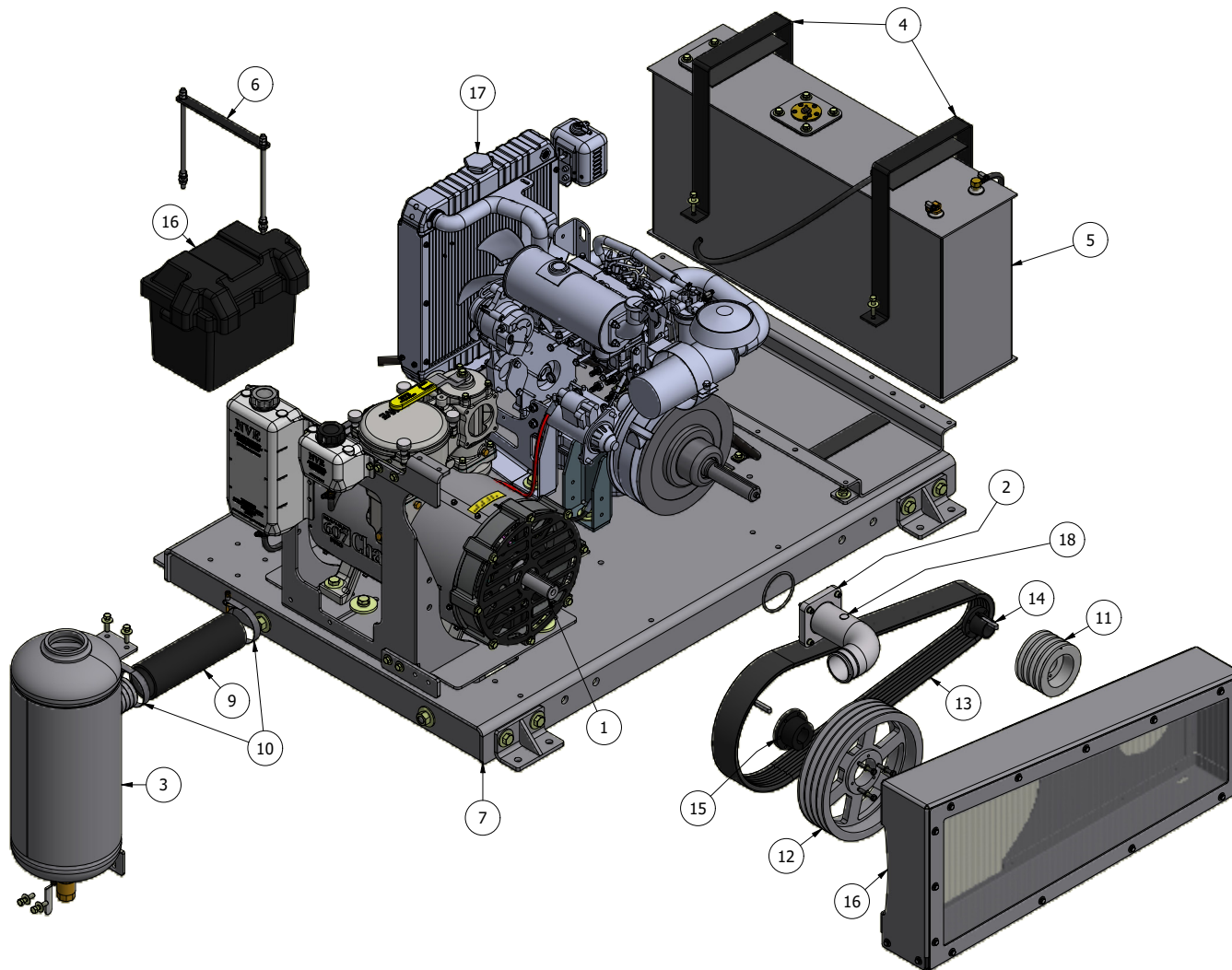
Challenger Series



ITEM	QTY	PART NUMBER	DESCRIPTION
1	1	100-607P-FD	607 PRO CHALLENGER, FAN COOLED, CW
2	1	120-006	KEY 3/8" X 3/8" X 2"
3	1	120-063-007	FLANGE ELBOW ALUM 3"
4	1	120-064-016	O-RING, 2-342 VITON
5	1	126-367-TM3	JACK SHAFT 607 TM 22IN
6	1	212-100-3NPT-5	OCM 10" DIA X 17.5" NPT W/ HB
7	1	288-100	DRAIN VALVE BRASS 1" IPS
8	1	280-355-006	TM PACKAGE BASE
9	1	280-355-007	TM PACKAGE, UPPER BELT GUARD
10	1	280-355-046	608 TM JACKSHAFT ASSY (STYLE B)
11	1	280-355-046-1	608 TM JACKSHAFT ASSY (STYLE B) - 1
12	1	280-355-046-2	608 TM JACKSHAFT ASSY (STYLE B) - 2
13	2	280-355-046-3	608 TM JACKSHAFT ASSY (STYLE B) - 3
14	2	280-355-046-4	608 TM JACKSHAFT ASSY (STYLE B) - 4
15	2	280-355-046-5	608 TM JACKSHAFT ASSY (STYLE B) - 5
16	2	280-355-046-6	608 TM JACKSHAFT ASSY (STYLE B) - 6
17	2	280-355-046-7	608 TM JACKSHAFT ASSY (STYLE B) - 7
18	2	280-500-WNC	1/2"-13 UNC WELD NUT
19	1	280-355-183	OIL TANK MOUNT
20	2	280-367-TM7	L MOUNTING BRACKET, 367 TM
21	1	320-082-001	OIL TANK, 5QT, W/LOGO
22	1	320-083-009	OIL TANK FILTER, 100 MESH
23	1	320-083-010	FILTER FITTING, OIL TANK 1/4 NPT
24	1	320-407-003	OIL LINE BLK 1/4" ID 30R7
25	1	320-409-004	P-CLIP .562 CLAMP DIA .406 HOLE DIA. GALV. VINYL
26	2	416-025-1WC	CLAMP, WORM, .250" dia
27	1	426-300-TAR-1050	HOSE 3"D X 10.5"L
28	2	426-3875-TBC	CLAMP, T-BOLT 3.875"
29	4	430-200-004	BELT 3880 (#5L880) TRUFLEX 5L
30	2	430-367-TM1	6" SHEAVE, 4 BELT, SD STYLE BUSHING
31	2	430-367-TM2	BUSHING, 367 TM, SD X 1.5
32	2	430-400-004	BEARING 1.5 PILLOW BLOCK
33	1	802-063-005	ELBOW, 3" STE CAST
301	1	FW - 3_8	FLAT WASHER, 3/8"
302	1	FW - 5_16 SAE	FLAT WASHER, 5/16 SAE
303	8	FW - 5/8	FLAT WASHER, 5/8
304	32	FW - 1/2	FLAT WASHER, 1/2
301	1	FW - 3_8	FLAT WASHER, 3/8"
302	1	FW - 5_16 SAE	FLAT WASHER, 5/16 SAE
303	8	FW - 5/8	FLAT WASHER, 5/8

ITEM	QTY	PART NUMBER	DESCRIPTION
304	32	FW - 1/2	FLAT WASHER, 1/2
305	10	HHCS - 1/2-13 UNC X 1.75	HEX HEAD CAP SCREW - 1/2-13 UNC X 1.75
306	1	HHCS - 3/8-16 UNC X 1.50	HEX HEAD CAP SCREW - 3/8-16 UNC X 1.50
307	1	HHCS - 5/16-18 UNC X 1.00	HEX HEAD CAP SCREW - 5/16-18 UNC X 1.00
308	4	HHCS - 5/8-11 UNC X 2.50	HEX HEAD CAP SCREW - 5/8-11 UNC X 2.50
309	1	LW - 3/8	LOCK WASHER, 3/8
310	14	NYLOCK NUT - 1/2 UNC	NYLOCK NUT - 1/2 UNC
311	1	NYLOCK NUT - 3/8 UNC	NYLOCK NUT - 3/8 UNC
312	4	NYLOCK NUT - 5/8 UNC	NYLOCK NUT - 5/8 UNC
313	4	HEX NUT - 1_2 UNC	HEX NUT - 1_2 UNC
314	2	HHCS - 1_2-13 UNC X 5.50	HEX HEAD CAP SCREW - 1/2-13 UNC X 5.50
315	4	HHCS - 1_2-13 UNC X 2.50	HEX HEAD CAP SCREW - 1/2 -13 UNC X 2.50"
316	8	SHCS - 5/16-18 UNC X 1	SHCS - 5/16-18 UNC X 1
317	36	LW - 5/16	LOCK WASHER, 5/16

607 PRO Diesel Engine Drive | Parts Diagram



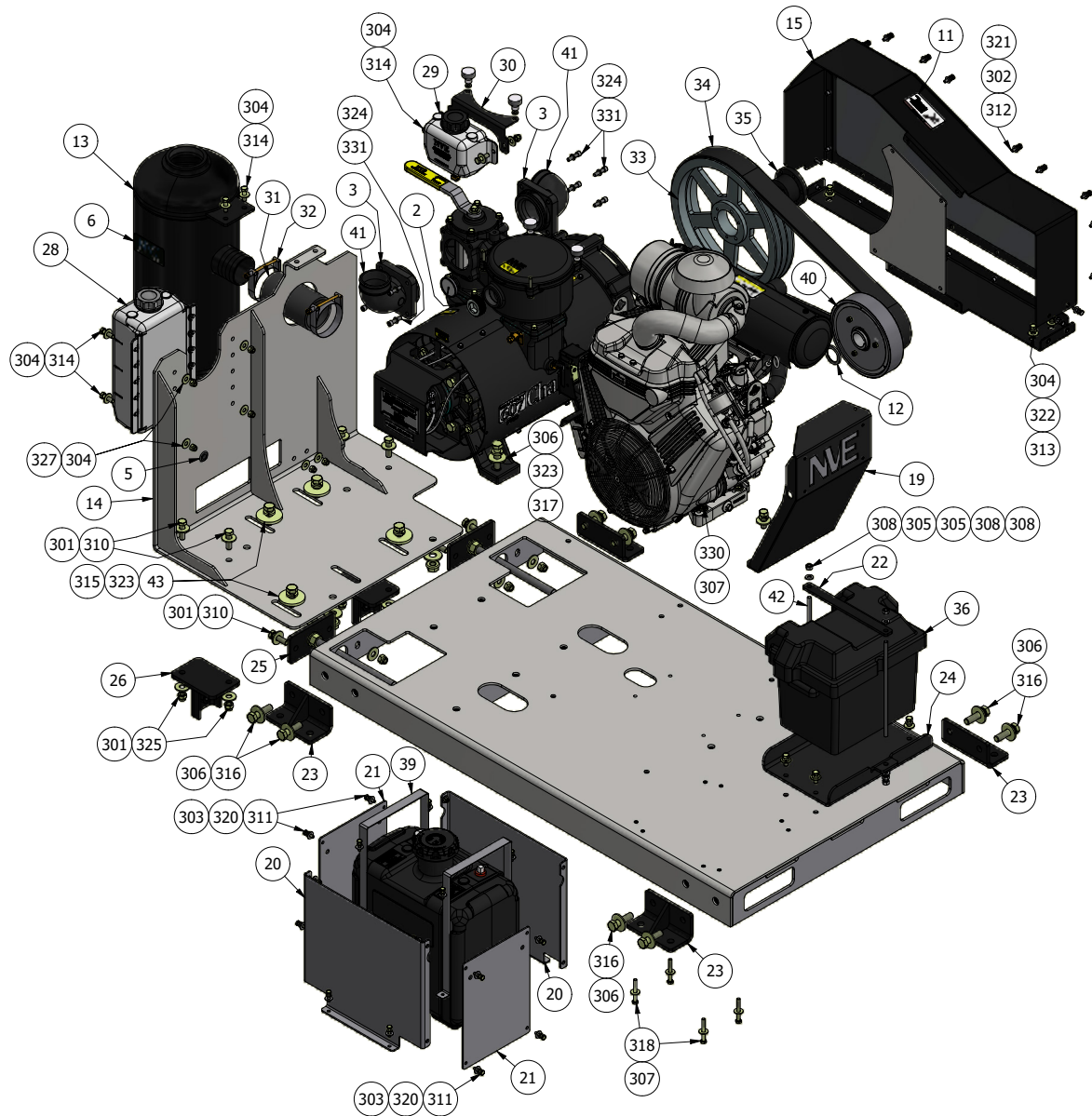
607 PRO Diesel Engine Drive | Parts List

Challenger Series



ITEM	QTY	PART NUMBER	DESCRIPTION
1	1	100-607P-FS	CHALLENGER 607 PRO CCW FAN
3	1	120-063-007	FLANGE ELBOW ALUM 3"
5	1	212-100-3NPT-4	OCM 10" DIA X 17.5" NPT W/ HB
8	2	280-460-023-2	FUEL TANK STRAP, 23 GAL, BENT
9	1	280-460-026	FUEL TANK 23 GAL FAB DIESEL - BOLT ON FILL NECK
10	1	280-EDR-002	BATTERY HOLD DOWN
11	1	280-EDR-607-1	607 EDR 1 BASE ASSEMBLY
15	1	280-EDR-607-5	607 EDR 1 BELT GUARD ASSEMBLY
16	1	280-EDR-607-5-1	607 EDR 1 BELT GUARD MAIN PLATE
17	28	868-001	NUTSERT 1/4"-20 UNC (.027"-.165" GRIP RANGE) SS
18	1	280-EDR-607-5-2	607 EDR 1 BELT GUARD LARGE BACK PLATE
19	1	280-EDR-607-5-3	607 EDR 1 BELT GUARD SMALL BACK GUARD
20	1	280-EDR-607-5-4	607 EDR 1 BELT GUARD BOTTOM PLATE
328	28	HHCS - 1_4-20 UNC X 1.00 SS	HEX HEAD CAP SCREW - 1_4-20 UNC X 1.00 SS
329	28	LW - 1_4 SS	LOCK WASHER, 1/4"
330	28	FW - 1_4 X 3_4 SS	FLAT WASHER - 1/4" X 3/4"
24	1	280-EDR-607-5-5	607 EDR 1 BELT GUARD FRONT ASSEMBLY
25	1	280-EDR-607-5-5	607 EDR 1 BELT GUARD FRONT PLATE

607 PRO Gas Engine Drive | Parts Diagram



607 PRO Gas Engine Drive | Parts List

Challenger Series



ITEM	QTY	PART NUMBER	DESCRIPTION
1	1	100-607P-FS	CHALLENGER 607 PRO CCW FAN
2	1	120-047-003	PLUG HEX COUNTERSUNK 1.50" NPT ZINC PLATED
3	2	120-063-007	FLANGE ELBOW ALUM 3"
4	2	120-064-016	O-RING, 2-342 VITON
5	1	120-078-005	GROMMET 0.5 I.D. 0.8125 G.D. 0.25 G.W.
6	1	120-100-001	DECAL, NVE, MUFFLER PAK
7	1	120-100-011	DECAL DRAIN DAILY - YELLOW
8	1	120-100-012	DECAL CLEAN FILTER REGULARY YELLOW
9	1	120-100-015	DECAL HOT
10	1	120-100-017	DECAL FLUSHING FLUID - 1 QT TANK
11	1	120-101-012	DECAL DRIVES WITHOUT GUARDS WARNING
12	1	126-016-001	SPACER, CLUTCH - 607 ENGINE DRIVE W/ PRESS. PUMP
13	1	212-100-3NPT-4	OCM 10" DIA X 17.5" NPT W/ HB
14	1	280-355-300	607 POWER PAK PUMP SLED ASSY
15	1	280-355-301	BELT GUARD ASSY - 607 POWER PAK
16	1	280-355-301-5	SHORT BELT
17	1	280-355-302	FRAME FOR 607 PRO FAN COOLED CW WITH 37 HP
19	1	280-355-315	VANGUARD ENGINE
20	2	280-355-343-1	ENGINE GUARD, FAB - 607 POWERPAK
21	2	280-355-343-2	GUARD PLATE, FUEL TANK, 7 GAL, PLASTIC
22	1	280-EDR-002	GUARD PLATE COVER, FUEL TANK, 7 GAL, PLASTIC
23	4	280-EDR-607-3	BATTERY HOLD DOWN
24	1	280-EDR-607-14	607 EDR 1 MOUNTING FOOT ASSEMBLY
25	2	280-EDR-607-19	EDR PUMP SLED DRIVER ASSY
26	2	280-EDR-607-20	EDR PUMP SLED DRIVER HOUSING ASSY
27	2	310-LP4	HOSE BARB 1/4" NPT X 1/4" 90 DEG ELBOW BRASS
28	1	320-082-001	OIL TANK, 5QT, W/LOGO
29	1	320-082-003Z	FLUSH TANK ASSY HDPE 1QT
30	1	320-083-006	BRACKET FLUID FLUSH POWDERCOAT
31	1	426-300-TAR-0600	HOSE 3"D X 6"L
32	2	426-3875-TBC	CLAMP, T-BOLT 3.875"
33	1	430-100-048	DRIVEN SHEAVE - 13.63" DIA 3B-GROOVE
34	1	430-200-037	3B66 COG V-BELT - BANDED
35	1	430-300-006	BUSHING SK X 1.5" .375" KEYWAY
36	1	450-100-006	BATTERY BOX SMALL GROUP 24
37	1	460-200-023	ENGINE BRIGGS & STRATTON 2 CYL 37 HP EFI 50 AMP

ITEM	QTY	PART NUMBER	DESCRIPTION
38	1	460-200-023-1	MUFFLER 37HP VANGUARD
39	1	460-200-108	FUEL TANK, 7 GAL, PLASTIC
40	1	460-400-002	CLUTCH, CENTRIFUGAL, SOFT START
41	2	802-063-005	ELBOW, 3" STE CAST
42	2	860-010	THREADED ROD 3/8"-16 UNC X 11.00" SS
43	5	860-033	OVERSIZED WASHER, 5/8" Z/P
44	19	868-001	NUTSERT 1/4"-20 UNC (.027".165" GRIP RANGE) SS
45	1	THROTTLE ASSEMBLY - 37 HP VANGUARD	
301	18	FW - 1/2	FLAT WASHER, 1/2
302	19	FW - 1_4	FLAT WASHER - 1/4"
303	24	FW - 1_4 USS	FLAT WASHER - 1/4" USS
304	29	FW - 3/8	*Varies*
305	5	FW - 3/8 SS	FLAT WASHER, 3/8 SS
306	16	FW - 5/8	FLAT WAHSER, 5/8
307	8	FW - 5/16	FLAT WASHER, 5/16
308	6	HEX NUT - 3_8 UNC SS	HEX NUT - 3_8 UNC SS
309	2	HHCS - 1/2-13 UNC X 1.50	HEX HEAD CAP SCREW - 1/2-13 UNC X 1.50
310	8	HHCS - 1/2-13 UNC X 1.75	HEX HEAD CAP SCREW - 1/2-13 UNC X 2.00
311	16	HHCS - 1_4-20 UNC X 1.00	HEX HEAD CAP SCREW - 1/4-20 UNC X 1.00
312	19	HHCS - 1_4-20 UNC X 1.00 SS	HEX HEAD CAP SCREW - 1_4-20 UNC X 1.00 SS
313	9	HHCS - 3/8-16 UNC X 1.00	HEX HEAD CAP SCREW - 3/8-16 UNC X 1.00
314	10	HHCS - 3/8-16 UNC X 1.25	HEX HEAD CAP SCREW - 3/8-16 UNC X 1.25
315	5	HHCS - 5/8-11 UNC X 1.75	HEX HEAD CAP SCREW - 5/8-11 UNC x 1.75
316	8	HHCS - 5/8-11 UNC X 2.25	HEX HEAD CAP SCREW - 5/8-11 UNC X 2.25
317	4	HHCS - 5/8-11 UNC X 2.50	HEX HEAD CAP SCREW - 5/8-11 UNC X 2.50
318	4	HHCS - 5_16-18 UNC X 3.75	HEX HEAD CAP SCREW - 5/16-18 UNC X 3.75
319	2	LW - 1/2	LOCK WASHER, 1/2
320	16	LW - 1/4	LOCK WASHER, 1/4
321	19	LW - 1_4 SS	LOCK WASHER, 1/4"
322	9	LW - 3/8	LOCK WASHER, 3/8
323	9	LW - 5/8	LOCK WASHER, 5/8
324	8	LW - 5/16	LOCK WASHER, 5/16
325	8	NYLOCK NUT - 1/2 UNC	NYLOCK NUT - 1/2 UNC
326	8	NYLOCK NUT - 1/4 UNC	NYLOCK NUT - 1/4 UNC
327	10	NYLOCK NUT - 3/8 UNC	NYLOCK NUT - 3/8 UNC
328	1	NYLOCK NUT - 3/8 UNC SS	NYLOCK NUT - 3/8 UNC SS
329	4	NYLOCK NUT - 5/8 UNC	NYLOCK NUT - 5/8 UNC
330	4	NYLOCK NUT - 5/16 UNC	NYLOCK NUT - 5/16 UNC
331	8	SHCS - 5/16-18 UNC X 1.25	SOCKET HEAD CAP SCREW - 5/16-18 UNC X 1.25



DESIGNED. BUILT. SUPPORTED.

Produced in the USA | Distributed World-Wide

Proudly Distributed By:

**ARMSTRONG
EQUIPMENT
INC.**

NVE
National Vacuum Equipment, Inc.

Challenger **Series**
VACUUM PUMPS & BLOWERS