

# Secondary Shutoffs | 4 Gal. Low Profile Moisture Traps



## FEATURES:

- Corrosion Resistant Carbon, Aluminum Or Stainless Steel Base
- 4" Stainless Steel Float Ball
- 3" Buna Ball Seat
- 5/8" Square Buna Gasket
- Aluminum Lid [CAST IN THE USA]

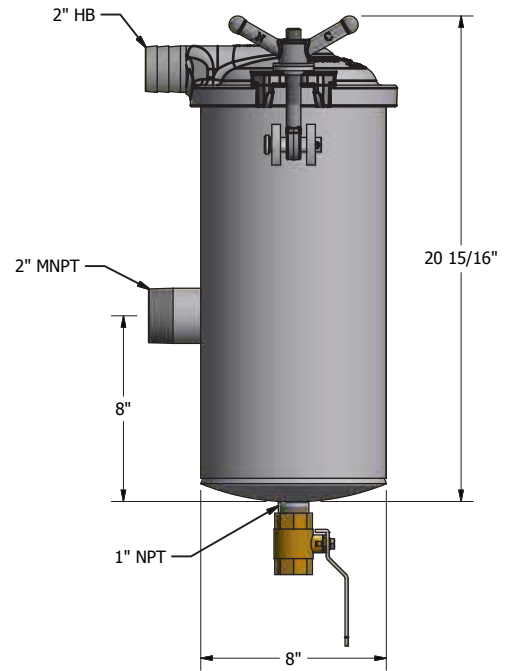


Available with Lube Nuts

\*\*\*WARNING\*\*\* CFM RATINGS VARY WITH THE VOLATILITY OF THE PRODUCT BEING PUMPED  
 \*\* 4 GALLON - TO 200 CFM

## Secondary Shutoff - 4 Gallon Low Profile Moisture Traps

| PART NUMBER    | DESCRIPTION               | WEIGHT |
|----------------|---------------------------|--------|
| 216-400-2NPT-A | MT 4 GAL ALU 2" HB        | 23 lbs |
| 216-400-2NPT-S | MT 4 GAL SS ALU LID 2" HB | 30 lbs |



## Secondary Shutoff - 4 Gallon Low Profile Moisture Traps | Parts List

| ITEM | PART NUMBER | DESCRIPTION                                     |
|------|-------------|---|
| 1    | 226-800-ALU | LID 8" CAST ALU 2" HB                           |
| 2    | CALL        | MT BODY, 4 GALLON 2" NPT CARBON                 |
| 2    | CALL        | MT BODY, 4 GALLON 2" NPT ALU                    |
| 2    | CALL        | MT BODY, 4 GALLON 2" NPT SS                     |
| 3    | 280-875-AFW | WASHER FLAT ALUMINUM 7/8" DIA                   |
| 4    | 284-KIT-C   | WINGNUT ASSY: WINGNUT EYEBOLT CLEVIS COTTER PIN |
| 4    | 284-KIT-CLN | LN ASSY: LN EYEBOLT CLEVIS PIN & CP             |
| 5    | 286-706-8L  | GASKET, 8" LID BUNA                             |
| 6    | 288-100     | DRAIN VALVE BRASS 1" IPS                        |
| 6.1  | 428-100-2C  | NIPPLE CLOSE 1" BLK                             |
| 7    | 414-400-SS  | FLOAT BALL 4" SS                                |
| 8    | 416-300-1WC | CLAMP WORM 3" BALL SEATS                        |
| 9    | 416-300-B   | BALL SEAT 3" BUNA                               |

