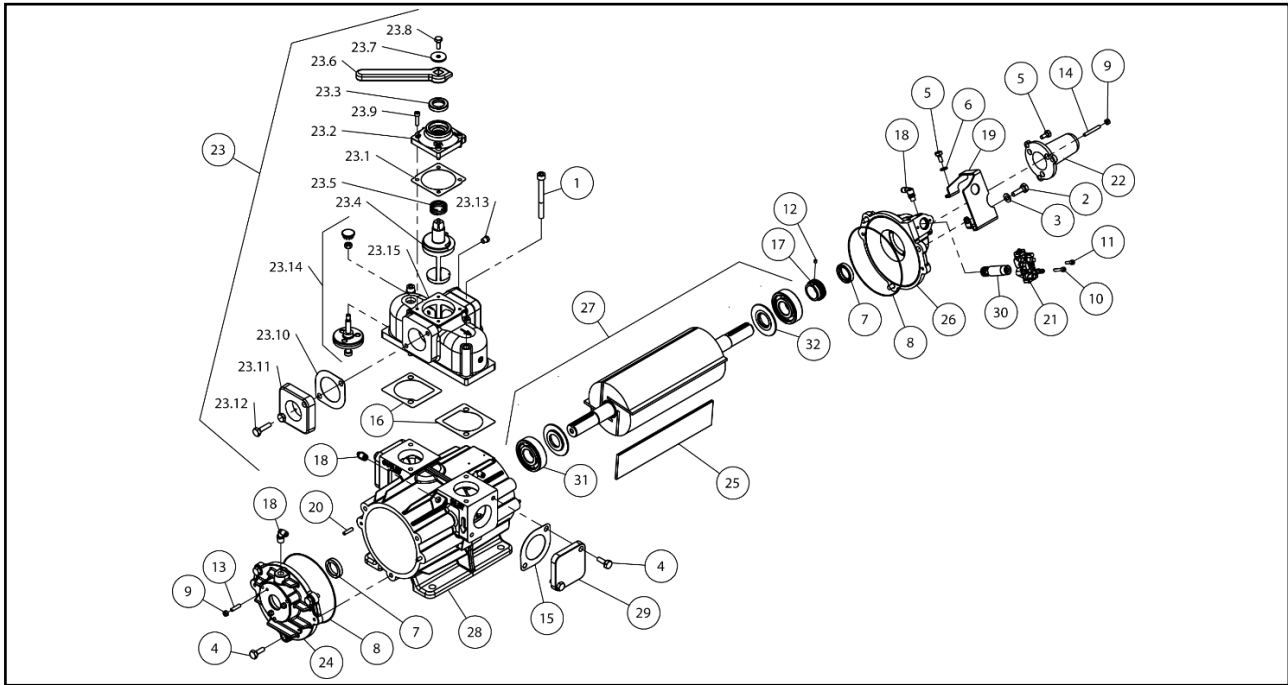


HXL4V:



Item	Description	Part No.	Qty
1	Screw M10 x 100	568249	4
2	Screw M10 x 30	32307	1
3	Washer 3/8"	32508	1
4	Screw M10 x 25	501569	9
5	Screw M8 x 16	501571	4
6	Lockwasher M8	501610	1
7	Seal	501676	2
8	O-Ring	501681	2
9	Nut M6	501682	6
10	Screw M5 x 25	504261	1
11	Screw M5 x 16	504262	1
12	Screw M5 x 6	504264	1
13	Screw M6 x 25	504274	3
14	Screw M6 x 45	504275	3
15	Flange Gasket	36202	2
16	Valve Gasket	568066	2
17	Gear Worm	568069	1
18	Elbow Swivel 1/4" **	568086	4
19	Oil Pump Guard	568904	1
20	Dowel Pin	575111	4
21	Oil Pump	575437	1
22	Shaft Guard	961412	1
23	Valve Assembly	968350	1
23.1	Valve Cap Gasket	568063	1
23.2	Valve Cap	968346	1

Item	Description	Part No.	Qty
23.3	Seal	501578	1
23.4	Valve Spool	968341	1
23.5	Spool Spring	568347	1
23.6	Valve Handle	968055	1
23.7	Indicator Washer	569724	1
23.8	Screw M8 x 20	501848	1
23.9	Screw M6 x 25	11049	4
23.10	Flange Gasket	36202	2
24.11	Flange 1 1/2"	968159	2
23.12	Screw M10 x 35	501878	4
23.13	Plug 1/8"	143901	1
23.14	Poppet Assembly	968351	1
23.15	Valve Body	968349	1
24	End Cover	969761	1
25	Vane Pack	975393	1
26	End Cover Oil Pump	975468	1
27	Rotor Assembly	975469	1
28	Cylinder	975471	1
29	Flange Blank	975476	2
30	Drive Shaft Assembly	975482	1
31	Bearing	500082	2
32	Spacer	975496	2
33	Shim Gasket (Not Shown)	575248	*
34	Oil Line (Not Shown)	600293	1

* Quantity may vary pump to pump

** Pre-Serial Number Q09033: Item 18 was 3 x 568086 - Elbow Swivel 1/4" and 1 x 568085 - Elbow Swivel 1/8"