

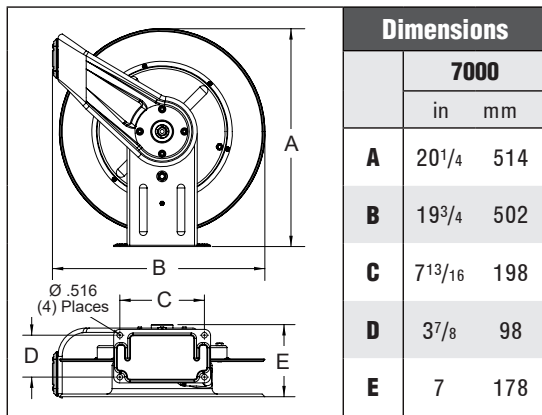
Heavy Duty Spring Retractable Hose Reels

Air/Water/Oil/Grease - 1/4", 3/8", 1/2", 3/4" I.D.

Series 7000 is very robust and ideal for the most demanding applications. The reel's base and guide arm are formed from high-grade steel and engineered with structural forms and gussets to yield the greatest amount of strength. The standard low pressure hose is for air or water service only. The basic reel without hose can be used for air, water or oil. Consult Reelcraft for other products and hoses. Guide arm adjusts to 7 positions.



7850 OLP



For all metric thread connections over 1/2" add the suffix number 70 to indicate BSPT threads - example 7900 OLP70.

Applications

- Industrial
- Automotive service centers
- Transmission shops
- Fleet maintenance facilities
- Pneumatic tools
- Aircraft maintenance
- Tire stores
- Agriculture
- Service trucks
- Wash down



Enclosed Reels

7650 ELP

See bottom of page 9 or visit

www.reelcraft.com/catalog for enclosed reels.

Model with Hose	Shipping Weight		Hose I.D.		Hose O.D.		Hose Length		**Max Pressure		NPT(M) Hose Outlet	NPT(F) Reel Inlet	Model without hose & bumper	Shipping Weight		Pressure	
	lbs	kg	in	mm	in	mm	ft	m	psi	bar	in	in		lbs	kg	psi	bar
Low Pressure Air/Water Reels Maximum temperature 150 °F (65 °C) w/hose / 210 °F (99 °C) w/o hose **Maximum working pressure at 70 °F (20 °C)																	
7650 OLP	43	20	3/8	10	.600	15	50	15	300	21	1/4	1/2	7600 OLP	40	18	500	35
7670 OLP	47	21	3/8	10	.600	15	70	22	300	21	1/4	1/2	7607 OLP	40	18	500	35
7850 OLP	47	21	1/2	13	.750	19	50	15	300	21	3/8	1/2	7800 OLP	41	19	500	35
7850 OLP121	47	21	1/2	13	.750	19	50	15	300	21	1/2	1/2	7800 OLP	41	19	500	35
7850 OLP5W57	47	21	1/2	13	.750	19	50	15	300	21	3/4 NH	1/2	7800 OLP	41	19	500	35
GC7535 OLP*	55	25	5/8	16	.810	21	35	11	200	14	3/4 NH	3/4 NH	Not available without hose				
7925 OLP	47	21	3/4	19	1.075	27	25	8	250	17	3/4	3/4	7900 OLP	44	20	500	35
GC7925 OLP*	53	24	3/4	19	1.075	27	25	8	250	17	3/4 NH	3/4 NH	Not available without hose				
Medium Pressure Oil Reels Maximum temperature 210 °F (99 °C)																	
7650 OMP	55	25	3/8	10	.690	18	50	15	2600	179	3/8	1/2	7600 OMP	43	20	3000	207
7850 OMP	57	26	1/2	13	.820	21	50	15	3000	207	1/2	1/2	7800 OMP	43	20	3000	207
High Pressure Grease Reels Maximum temperature 210 °F (99 °C)																	
7450 OHP	55	25	1/4	6	.580	15	50	15	5000	345	1/4	1/2	7400 OHP	43	20	5000	345
7650 OHP	60	27	3/8	10	.730	19	50	15	4800	331	1/4	1/2	7600 OHP	46	21	5000	345

Low pressure reels furnished standard with PVC hose. Medium pressure reels furnished standard with S.A.E. 100R1-AT (3/8") or S.A.E. 100R17 (1/2") one wire braid hose. High pressure reels furnished standard with S.A.E. 100 R2T two wire braid hose. Consult manufacturer for hydraulic or other applications. Reference page 6 for guide arm positions. *Includes 3/4" x 10' inlet hose and garden hose valve.

Models listed with an icon can ship same day upon request when the order is received by 1:00 PM Eastern Time for quantities of 10 or fewer.

- Indiana Warehouse
- California Warehouse
- Indiana & California Warehouses
- Canadian Warehouse



Interactive Reel Catalog

Visit www.reelcraft.com/catalog for complete product specifications, available parts and accessories.

Prop 65: **WARNING:** Cancer and Reproductive Harm www.P65Warnings.ca.gov.